

6

5

4

3

2

1

D

D

C

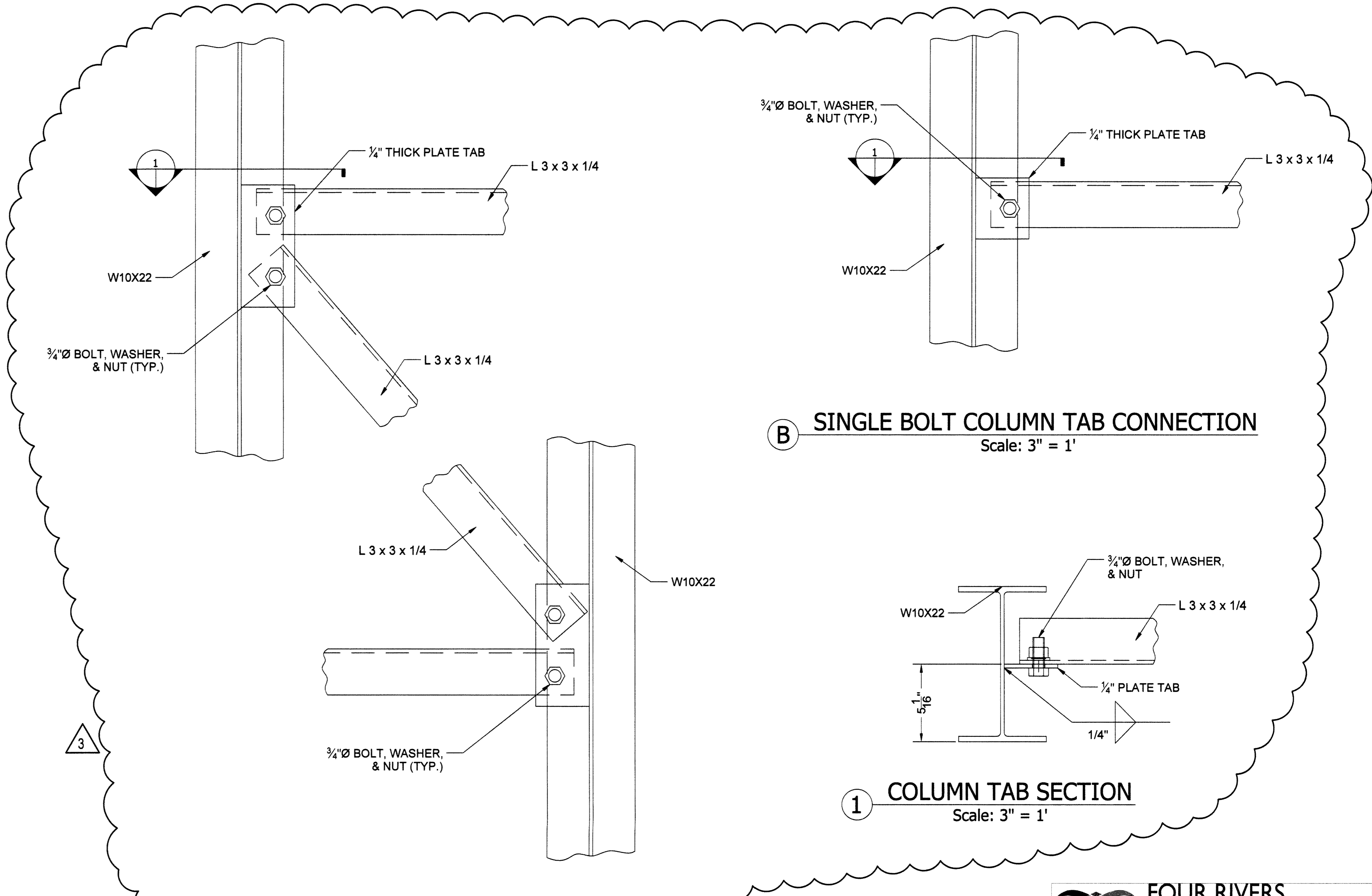
C

B

B

A

A



A 2-BOLT COLUMN TAB CONNECTION
Scale: 3" = 1'

B SINGLE BOLT COLUMN TAB CONNECTION
Scale: 3" = 1'

1 COLUMN TAB SECTION
Scale: 3" = 1'

PRIORITY 3

REFERENCE DRAWINGS
S7DC6000A001
S7DC6000A003
S7DC6000A006
S7DC6000A007
S7DC6000A008

REV.	3
DRW.	Katrina Blanton 3/20/17
CHKR.	J. H. [Signature] 03/20/19
R.E.	J. K. [Signature] 03/20/19
T.R.	N/A
APPD.	[Signature] 3/23/19
DRAWING APPROVALS	DATE

FOUR RIVERS NUCLEAR PARTNERSHIP, LLC
DOE PRIME CONTRACT # DE-EM0004895

FLUOR PADUCAH DEACTIVATION PROJECT
DOE Prime Contract #DE-DT0007774

U.S. DEPARTMENT OF ENERGY
PADUCAH, PORTSMOUTH PROJECT OPERATIONS,
PADUCAH GASEOUS DIFFUSION PLANT

LATA Environmental Services of Kentucky, LLC
managed for the DEPARTMENT OF ENERGY under U.S. GOVERNMENT contract DE-AC30-10CC40020 Paducah, Kentucky

DOE CONTRACT NO. DE-AC30-10CC40020

PROJECT NAME:
STEAM PACKAGE BOILERS AND PERMITS

TITLE:
C-600 AREA PACKAGE BOILERS
UTILITY BRIDGE
DETAIL SHEET 1

EDCS CAD FILENAME S7DC6000A005 rev3.dwg	BUILDING C-600	PLANT PGDP	CLASS U
SCALE: AS SHOWN	DRAWING NUMBER S7DC60000A005	REV 3	

REFERENCE DRAWINGS	DRAWING NO. SECTION

NO REPRESENTATION OR WARRANTY, EXPRESSED OR IMPLIED, IS MADE AS TO THE ACCURACY, COMPLETENESS OR USEFULNESS OF THE INFORMATION OR STATEMENTS CONTAINED IN THESE DRAWINGS, OR THAT THE USE OR DISCLOSURE OF ANY INFORMATION, APPARATUS, METHOD, OR PROCESS DISCLOSED IN THESE DRAWINGS MAY NOT INFRINGE PRIVATE RIGHTS OF OTHERS. NO LIABILITY IS ASSUMED WITH RESPECT TO THE USE OF, OR FOR DAMAGES RESULTING FROM THE USE OF ANY INFORMATION, APPARATUS, METHOD, OR PROCESS DISCLOSED IN THESE DRAWINGS. DRAWINGS MADE AVAILABLE FOR INFORMATION TO BIDDER ARE TO BE USED FOR OTHER PURPOSES AND ARE TO BE RETURNED UPON REQUEST OF THE FORWARDING CONTRACTOR.

NUMBER OR DETAIL LETTER

DRAWING ON WHICH SECTION OR DETAIL IS TAKEN

DRAWING ON WHICH SECTION OR DETAIL IS SHOWN

SECTION AND DETAIL KEY

REV	DATE	DESCRIPTION	DRWN BY	DRAFT CHK	PROJ ENGR	LEAD ENGR	CONF CTRL/NUCL SFTY	FAC MGR	E&TS MGR
2	3/9/16		KTW	KK	KK	--	KAS		

REV.	DATE	DESCRIPTION	DRWN BY	DRAFT CHK	PROJ ENGR	LEAD ENGR	CONF CTRL/NUCL SFTY	FAC MGR	E&TS MGR
3		CERTIFIED FOR CONSTRUCTION FOR ESO FA5270							
2		AS BUILT ENTIRE DRAWING FOR ESO-FA1620							
1	4/8/15	ISSUED FOR CONSTRUCTION	KTW	TAW	TDS	TAW	JBW	RGS	KLH
0	3/20/15	ISSUED FOR CONSTRUCTION	KTW	TAW	TDS	TAW	JBW	RGS	KLH

DATE PROFESSIONAL SEAL

6

5

4

3

2

1