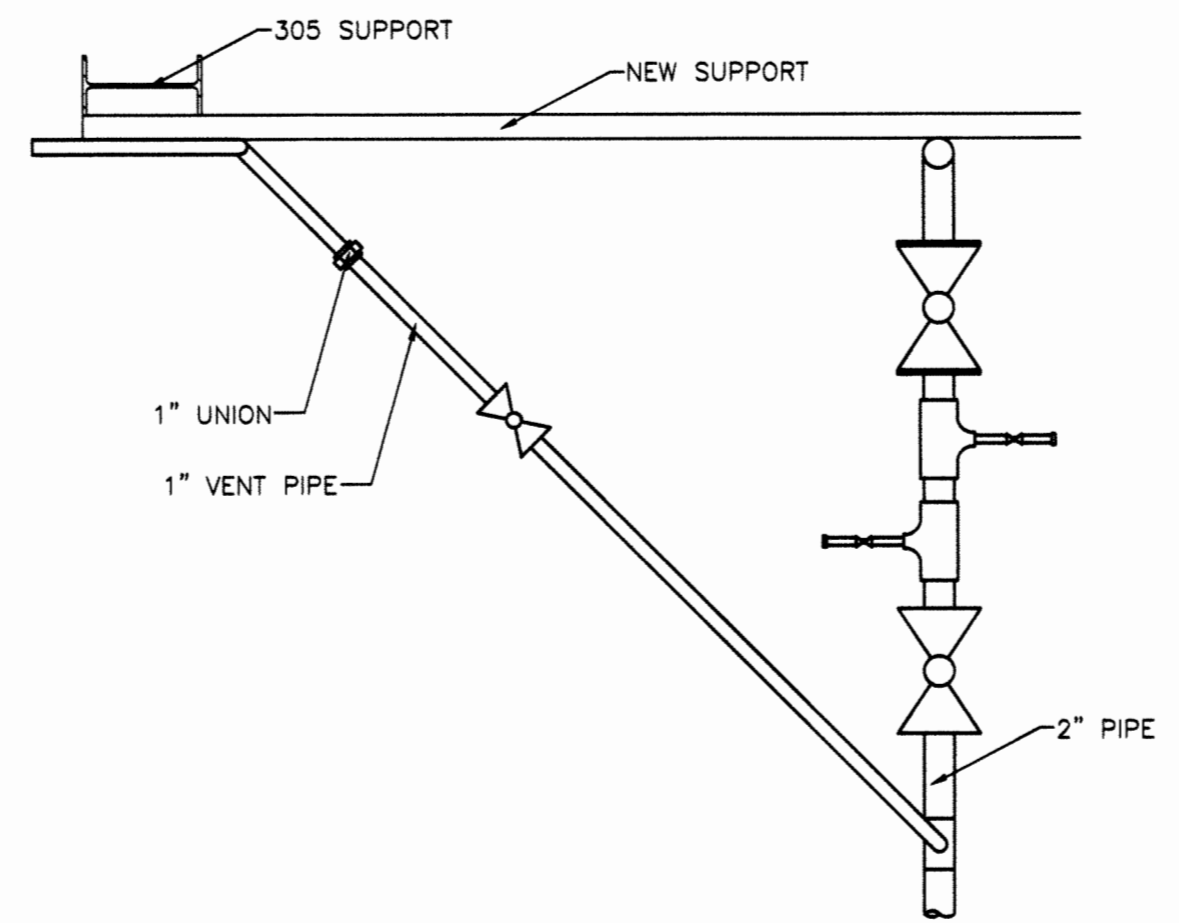
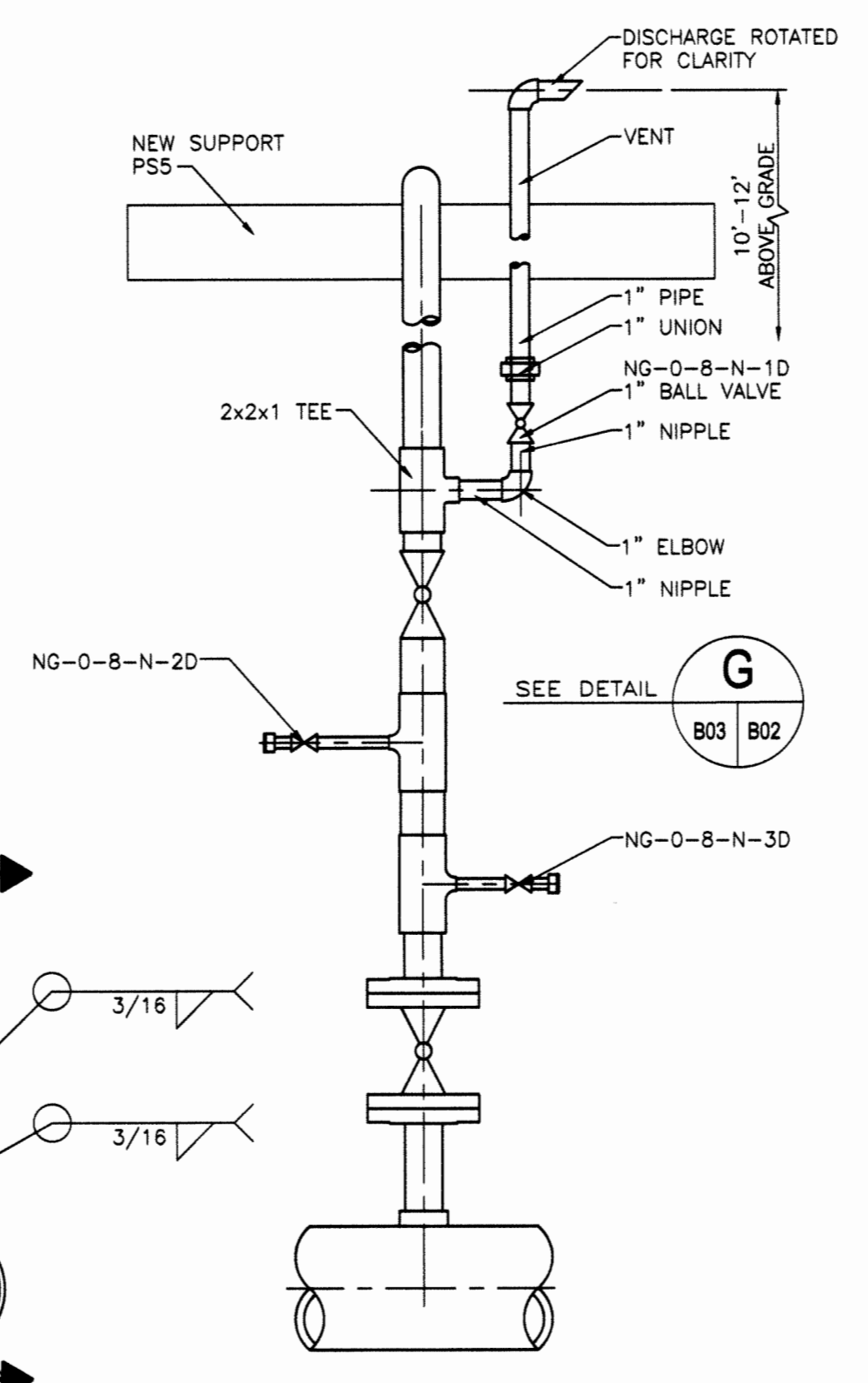


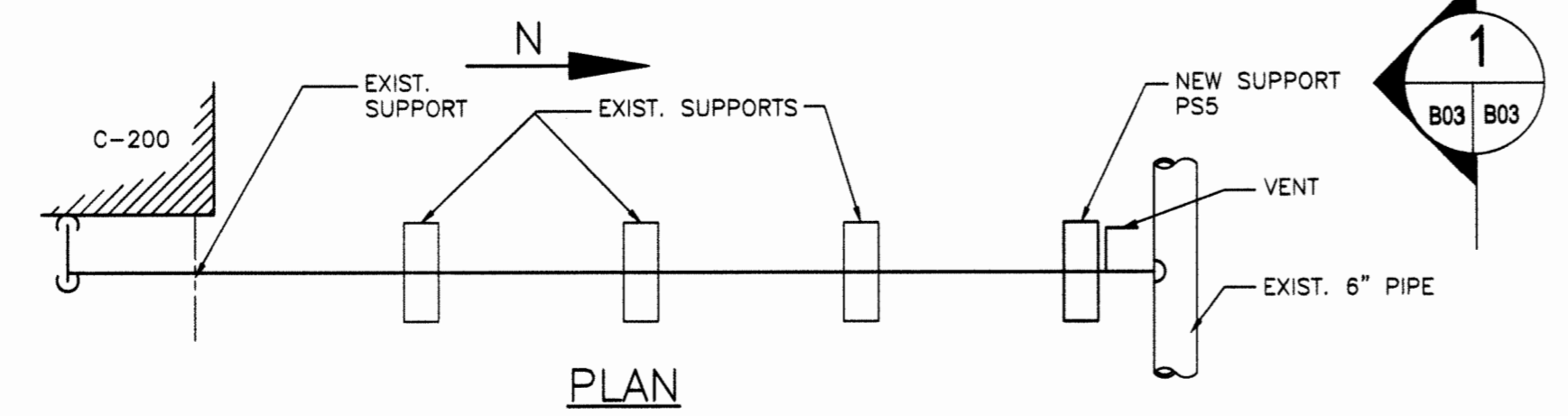
PIPE ROUTING EAST SIDE C-300
SCALE: N.T.S.



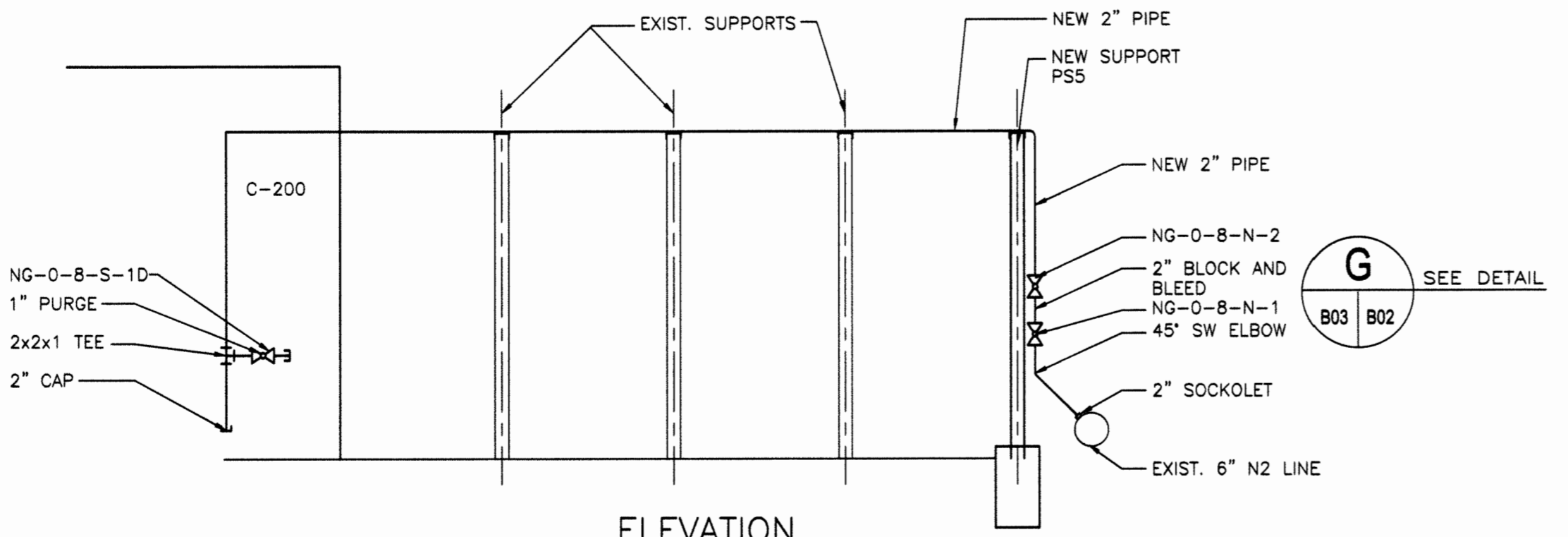
SECTION 2
SCALE: N.T.S.



SECTION 1
SCALE: N.T.S.



PLAN



ELEVATION

NEW NG LINE TO C-200
SCALE: N.T.S.

SECTION NUMBER OR DETAIL LETTER	TOLERANCES UNLESS OTHERWISE SPECIFIED
DRAWING ON WHICH SECTION OR DETAIL IS TAKEN	FRACTIONS XX DECIMALS
DRAWING ON WHICH SECTION OR DETAIL IS SHOWN	XXX DECIMALS
	ANGLES BREAK SHARP EDGES MAX. FINISH

"NO REPRESENTATION OR WARRANTY, EXPRESSED OR IMPLIED, IS MADE THAT THE USE OR DISCLOSURE OF ANY INFORMATION, APPARATUS, METHOD OR PROCESS DISCLOSED IN THESE DRAWINGS MAY NOT INFRINGE PRIVATE RIGHTS OF OTHERS. NO LIABILITY IS ASSUMED WITH RESPECT TO THE USE OF, OR FOR DAMAGES RESULTING FROM THE USE OF, ANY INFORMATION, APPARATUS, METHOD OR PROCESS DISCLOSED IN THESE DRAWINGS."

THIS DRAWING PRODUCED BY AUTOCAD DO NOT REVISE MANUALLY

REV. NO.	ISSUE / REVISION DESCRIPTION	DATE	DRW	CHKR	RE	TR	APPD
0	CERTIFIED FOR CONSTRUCTION FOR ESO FA5270		X	X	X	X	X

PE

TERRY L. FLETCHER
14980
3/22/19

DRW	CHKR	RE	TR	APPD
Eddie Holland	E.H.	3/20/19		
		3/22/19		
		3/20/19		

FOUR RIVERS NUCLEAR PARTNERSHIP, LLC
DOE PRIME CONTRACT # DE-EM0004895

NATURAL GAS LINE USING EXISTING NITROGEN LINES PIPE TIE-IN AND ROUTING

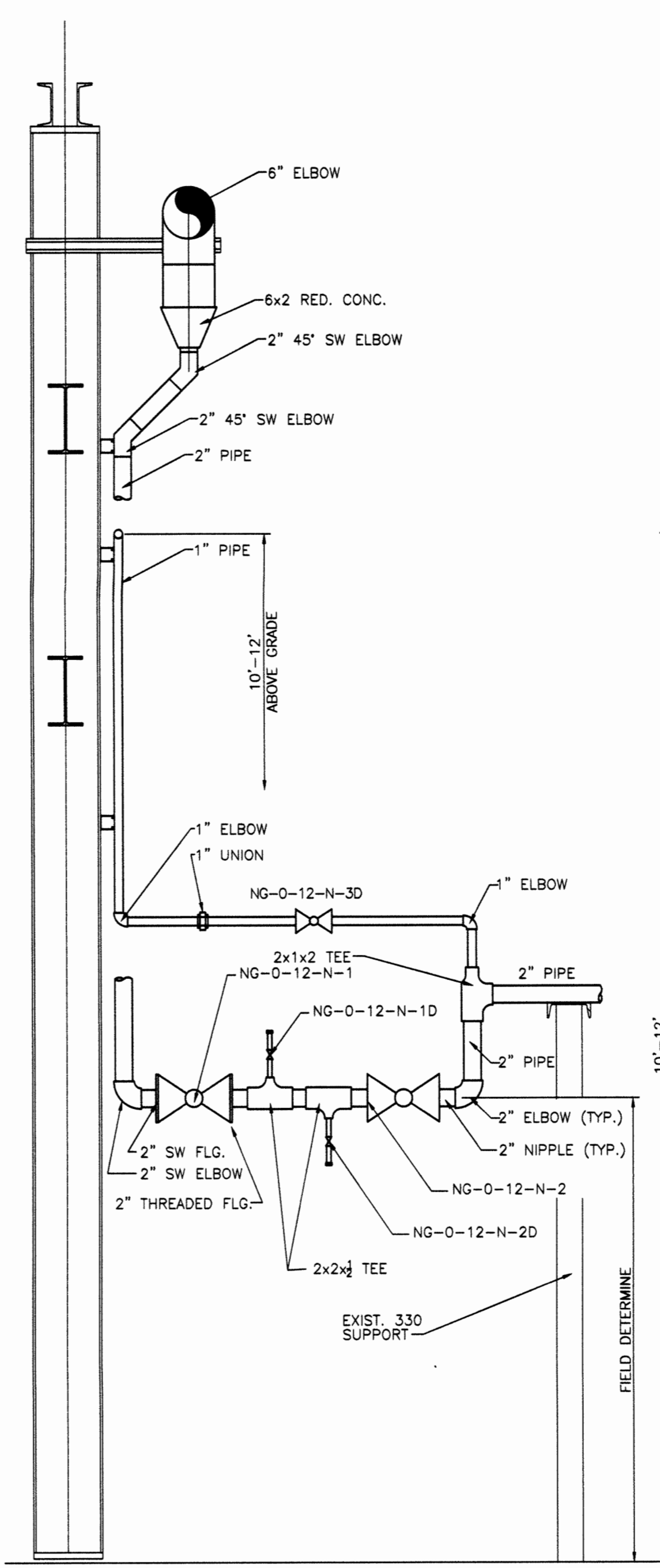
NON-ESSENTIAL

SCALE	PLANT PGDP	BLDG AREA	FL	CLASS
NONE			X	U

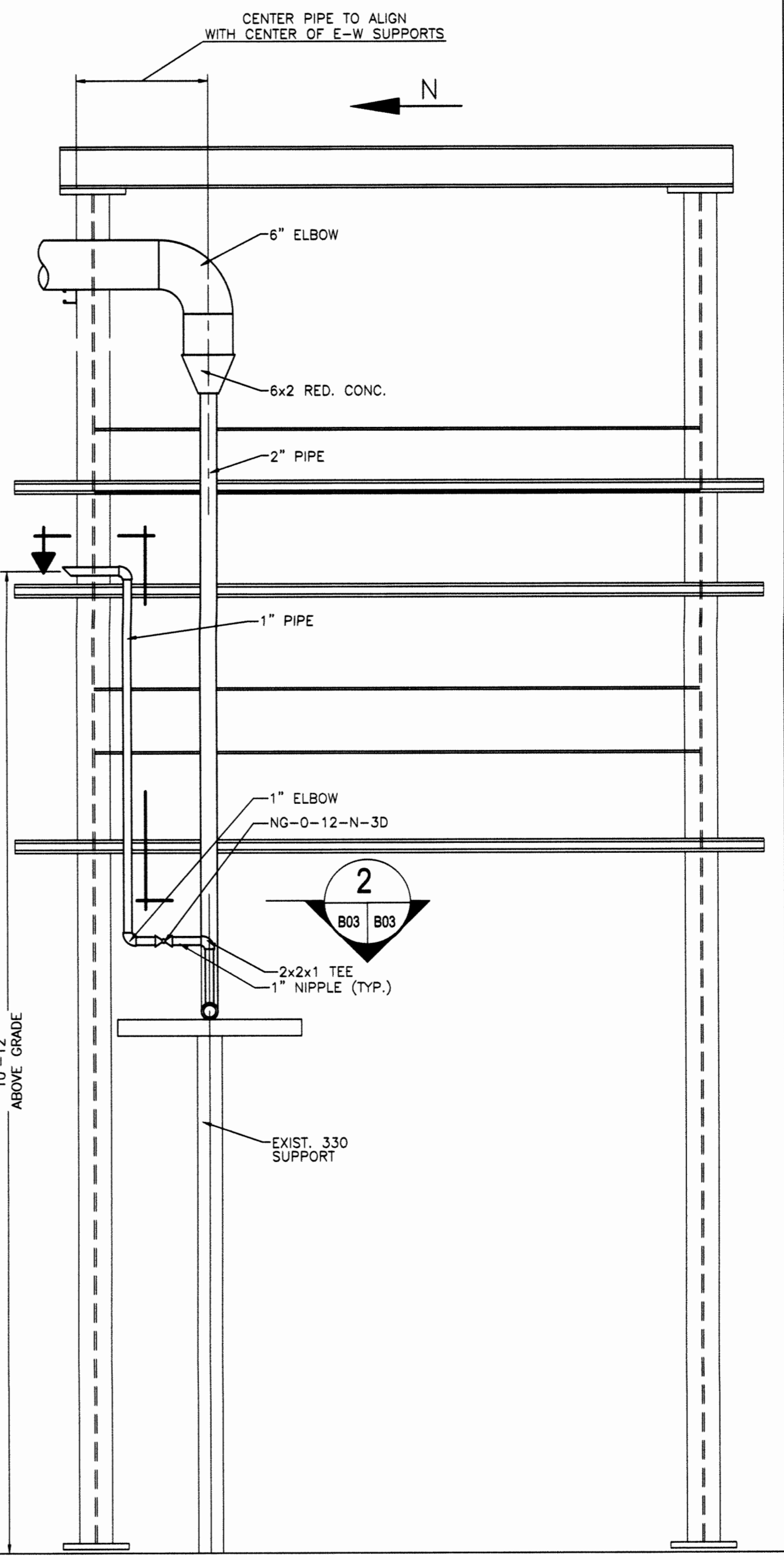
ID: M5D-FA5270-B03
REV: 0

GENERAL NOTES:

1. SEE GENERAL NOTES ON DWG. M5D-FA5270-B06



PIPE DROP AND VENT TO C-300 (LOOKING SOUTH)
SCALE: N.T.S.



PIPE DROP AND VENT TO C-300 (LOOKING EAST)
SCALE: N.T.S.