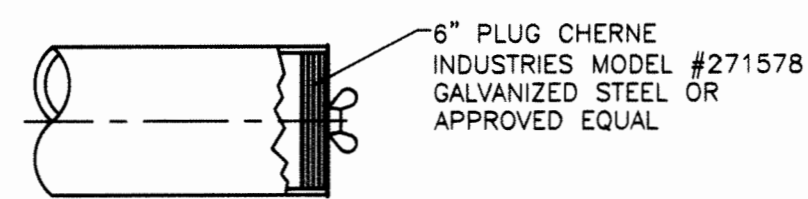


PURGE CONNECTION
(TYP.)

DETAIL A
SCALE: N.T.S.
B02 B02



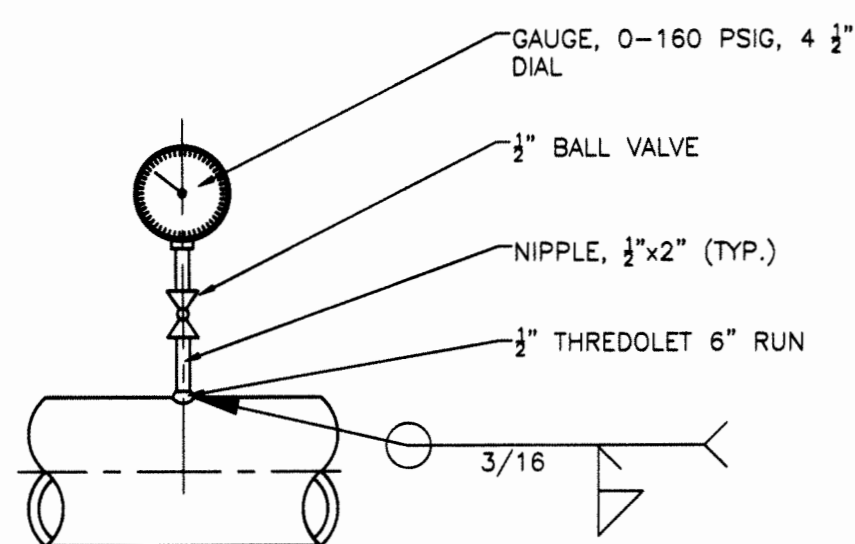
PLUG EXISTING LINE TYPICAL

DETAIL E
SCALE: N.T.S.
B02 B02



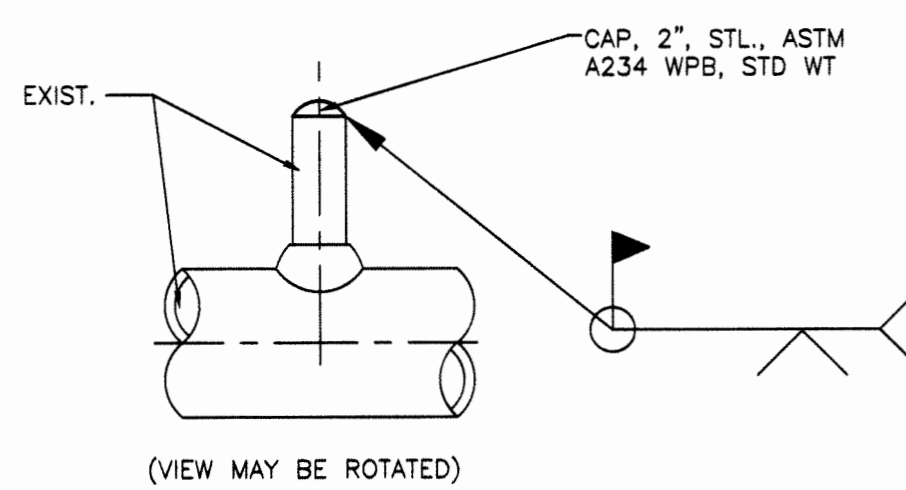
2" PLUG EXISTING LINE TYPICAL

DETAIL F
SCALE: N.T.S.
B02 B02

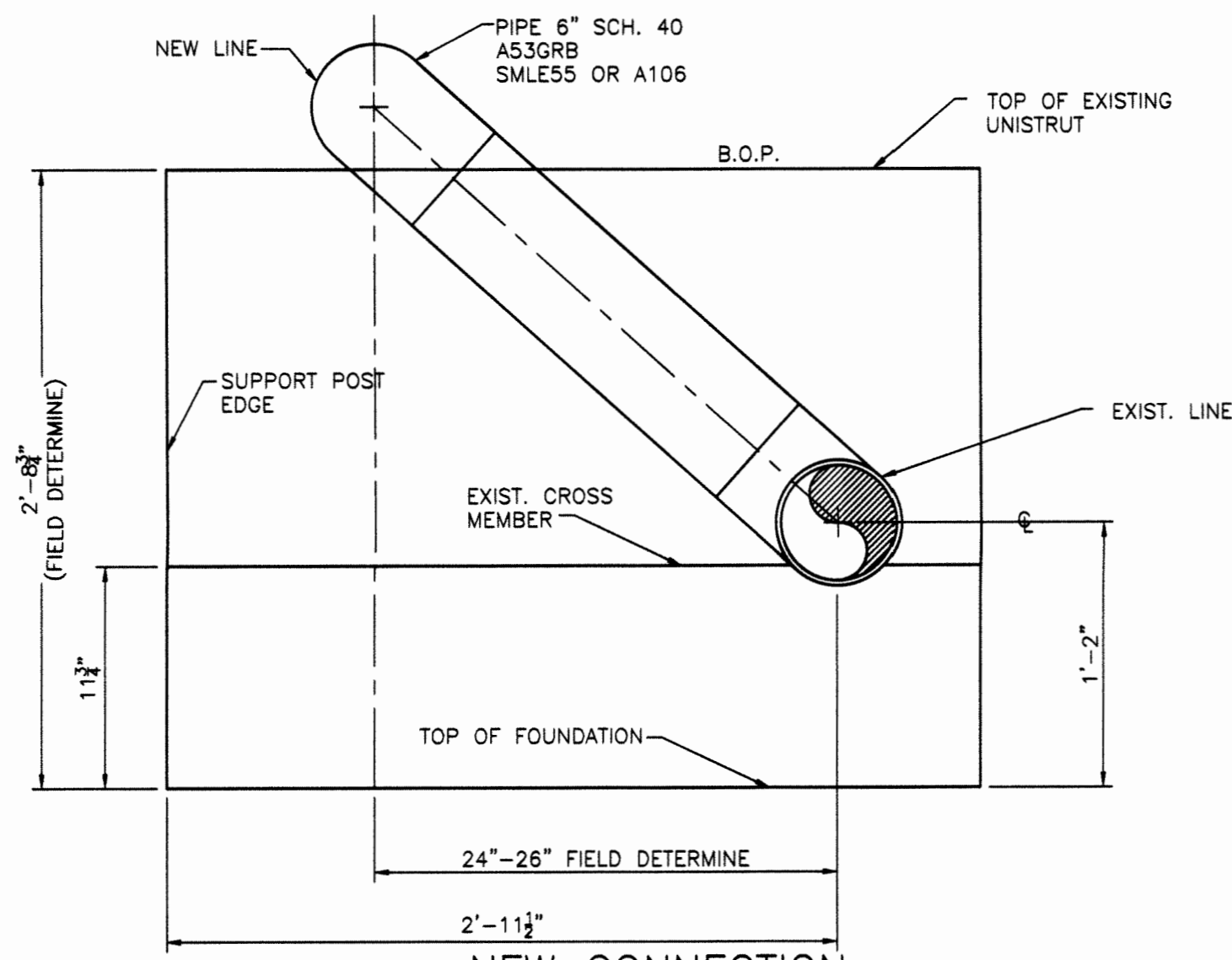


GAUGE CONNECTION
(TYP.)

DETAIL B
SCALE: N.T.S.
B02 B02

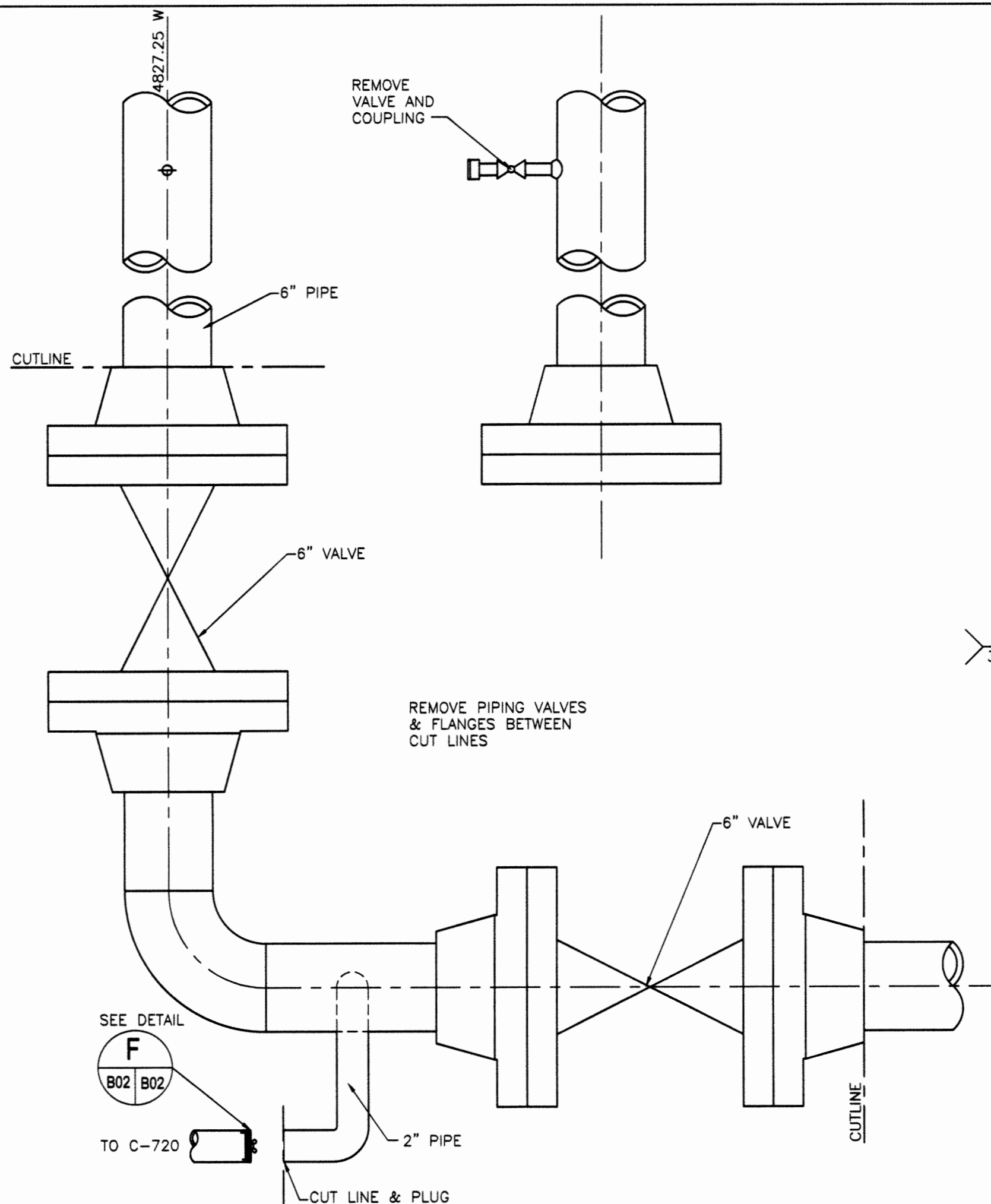


DETAIL C
SCALE: N.T.S.
C-409 & C-710
B02 B02



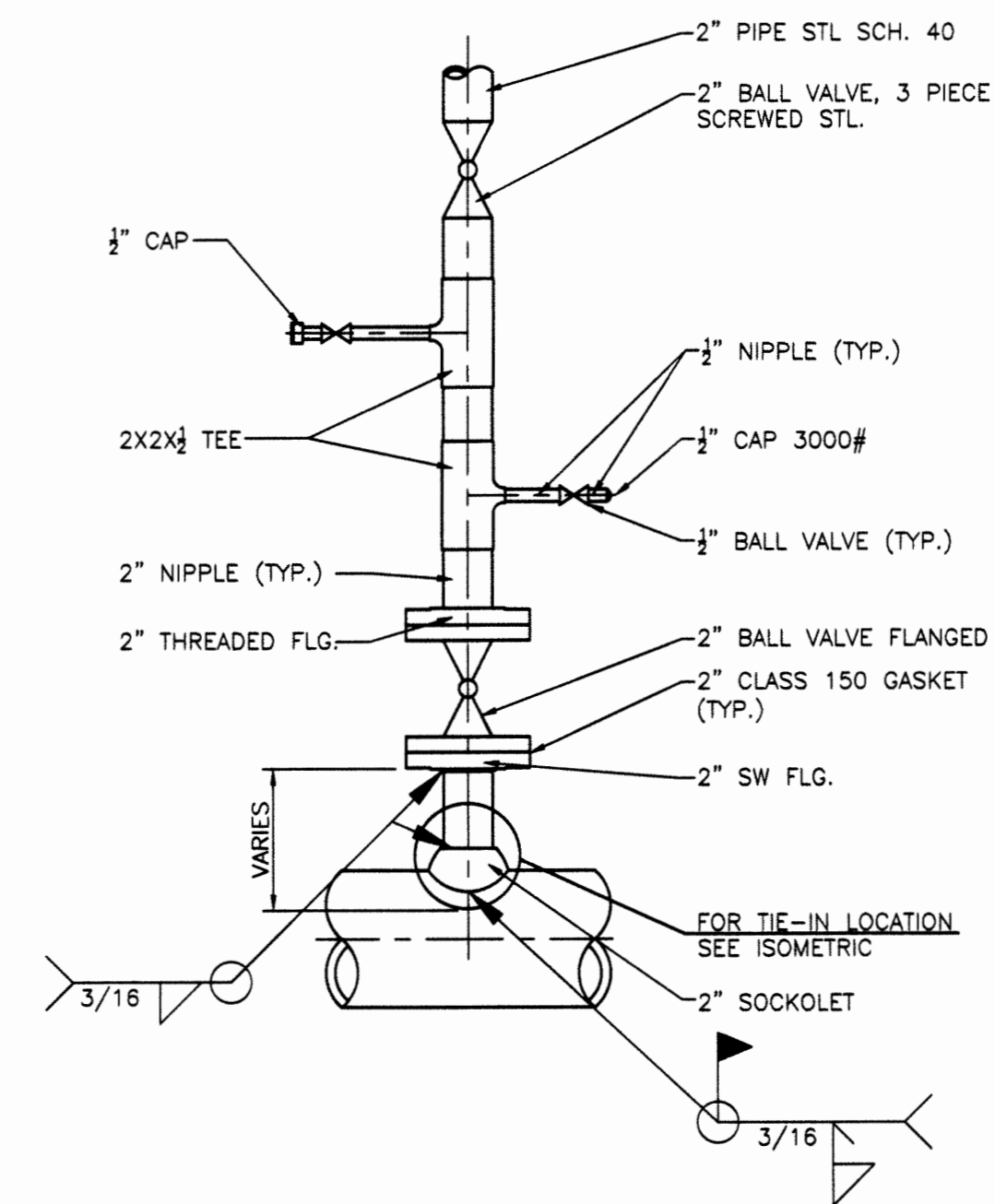
NEW CONNECTION
(LOOKING EAST)

DETAIL H
SCALE: N.T.S.
B01 B02



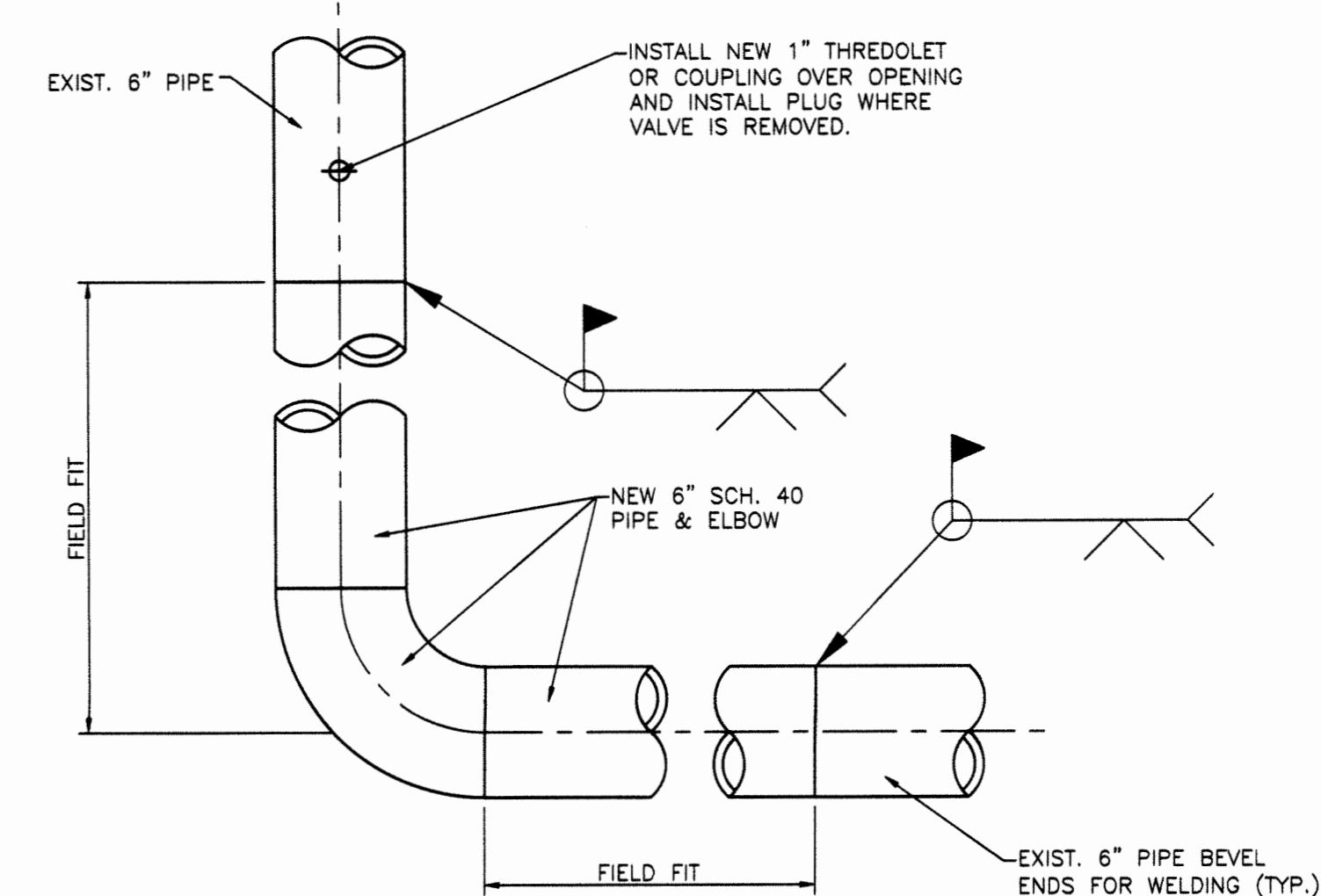
DEMOLITION SKETCH

REF. DWG. C16-9-M



NEW 2" CONNECTION @ 6" HEADER

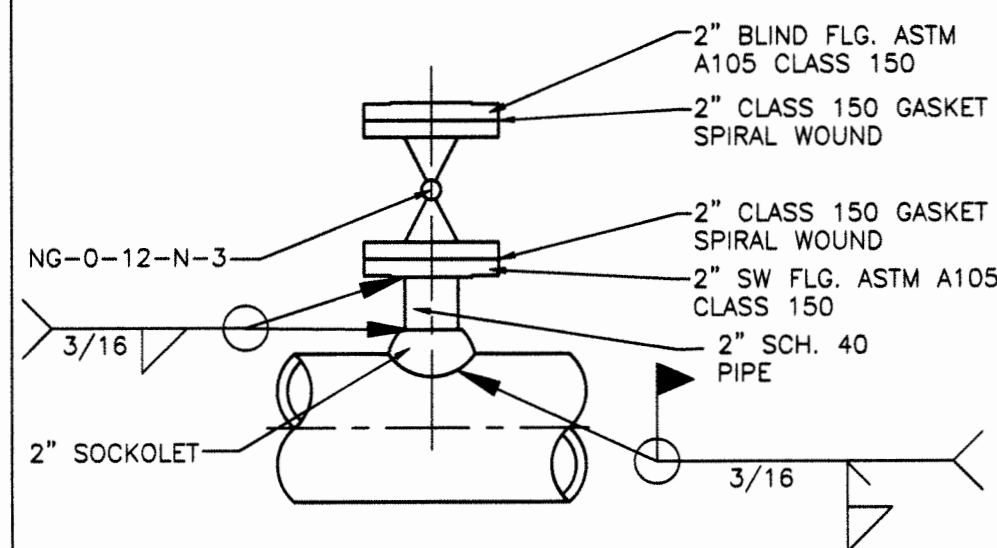
DETAIL G
SCALE: N.T.S.
B03 B02



REPLACEMENT DETAIL

REF. DWG. C16-9-M

DETAIL J
SCALE: N.T.S.
B02 B02



CONNECTION NORTH OF C-300

DETAIL D
SCALE: N.T.S.
B02 B02

SECTION NUMBER OR DETAIL LETTER	DRAWING ON WHICH SECTION OR DETAIL IS TAKEN	DRAWING ON WHICH SECTION OR DETAIL IS SHOWN

SECTION AND DETAIL KEY

TOLERANCES UNLESS OTHERWISE SPECIFIED

FRACTIONS XX DECIMALS
XXX DECIMALS
ANGLES BREAK SHARP EDGES MAX. FINISH

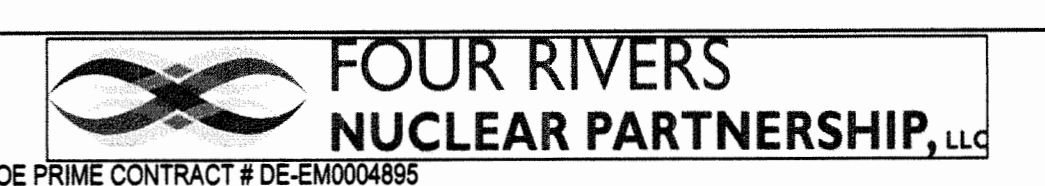
"NO REPRESENTATION OR WARRANTY, EXPRESSED OR IMPLIED, IS MADE THAT THE USE OR DISCLOSURE OF ANY INFORMATION, APPARATUS, METHOD OR PROCESS DISCLOSED IN THESE DRAWINGS MAY NOT INFRINGE PRIVATE RIGHTS OF OTHERS. NO LIABILITY IS ASSUMED WITH RESPECT TO THE USE OF OR FOR DAMAGES RESULTING FROM THE USE ANY INFORMATION, APPARATUS, METHOD OR PROCESS DISCLOSED IN THESE DRAWINGS."

REV. NO.	ISSUE / REVISION DESCRIPTION	DATE	DRW	CHKR	RE	TR	APPD
0	CERTIFIED FOR CONSTRUCTION FOR ESO FA5270		X	X	X	X	X

DATE	DRW	CHKR	RE	TR	APPD
3/22/19	Eddie Holland				
3/22/19					
3/22/19					
3/23/19					

GENERAL NOTES:

1. SEE GENERAL NOTES ON DWG. M5D-FA5270-B06



NATURAL GAS LINE USING EXISTING NITROGEN LINES DETAILS

NON-ESSENTIAL				
SCALE	PLANT	BLDG	FL	CLASS
NONE	PGDP	AREA	X	U
ID	M5D-FA5270-B02			REV
FA5270				0