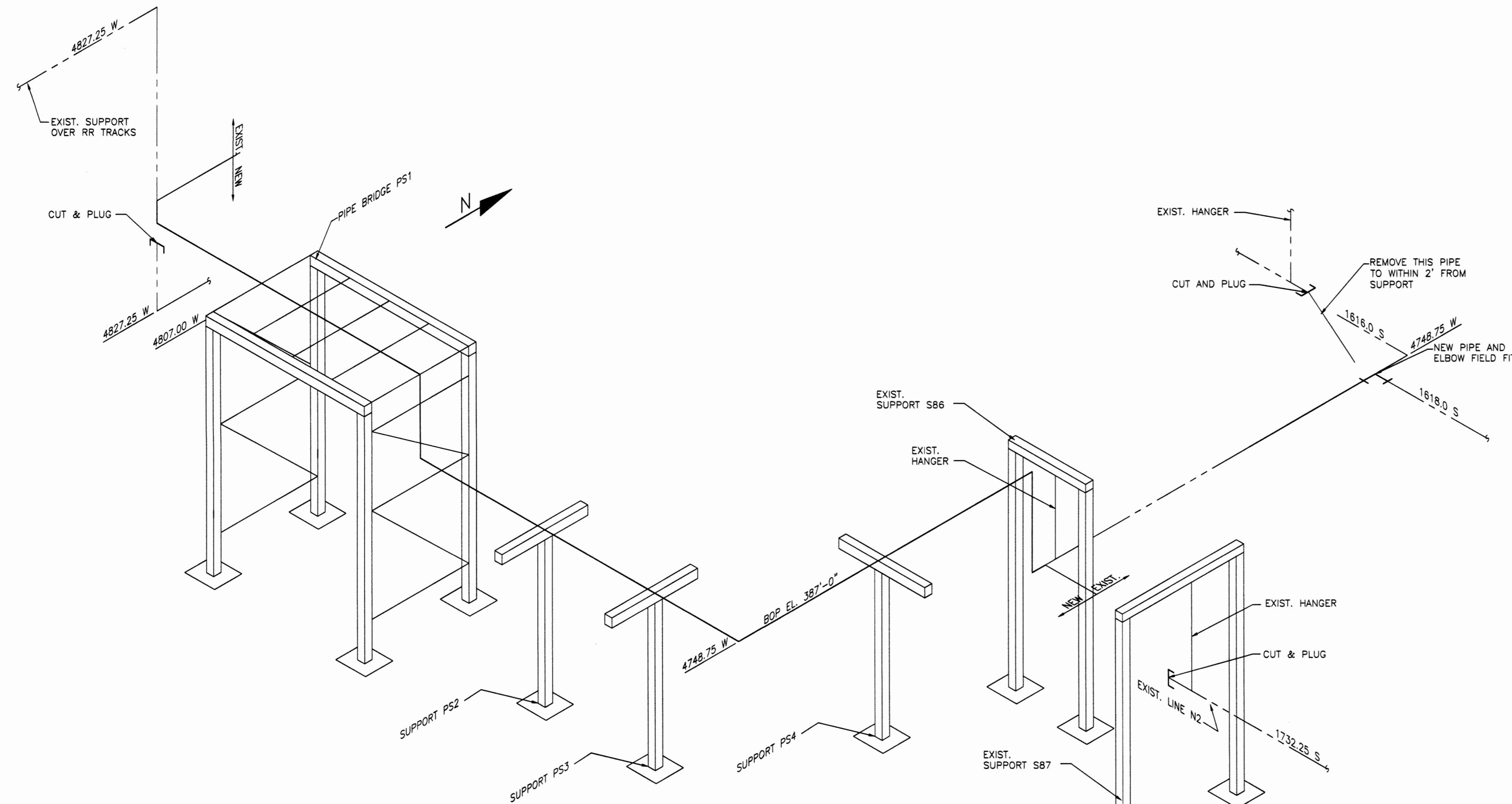


GENERAL NOTES:

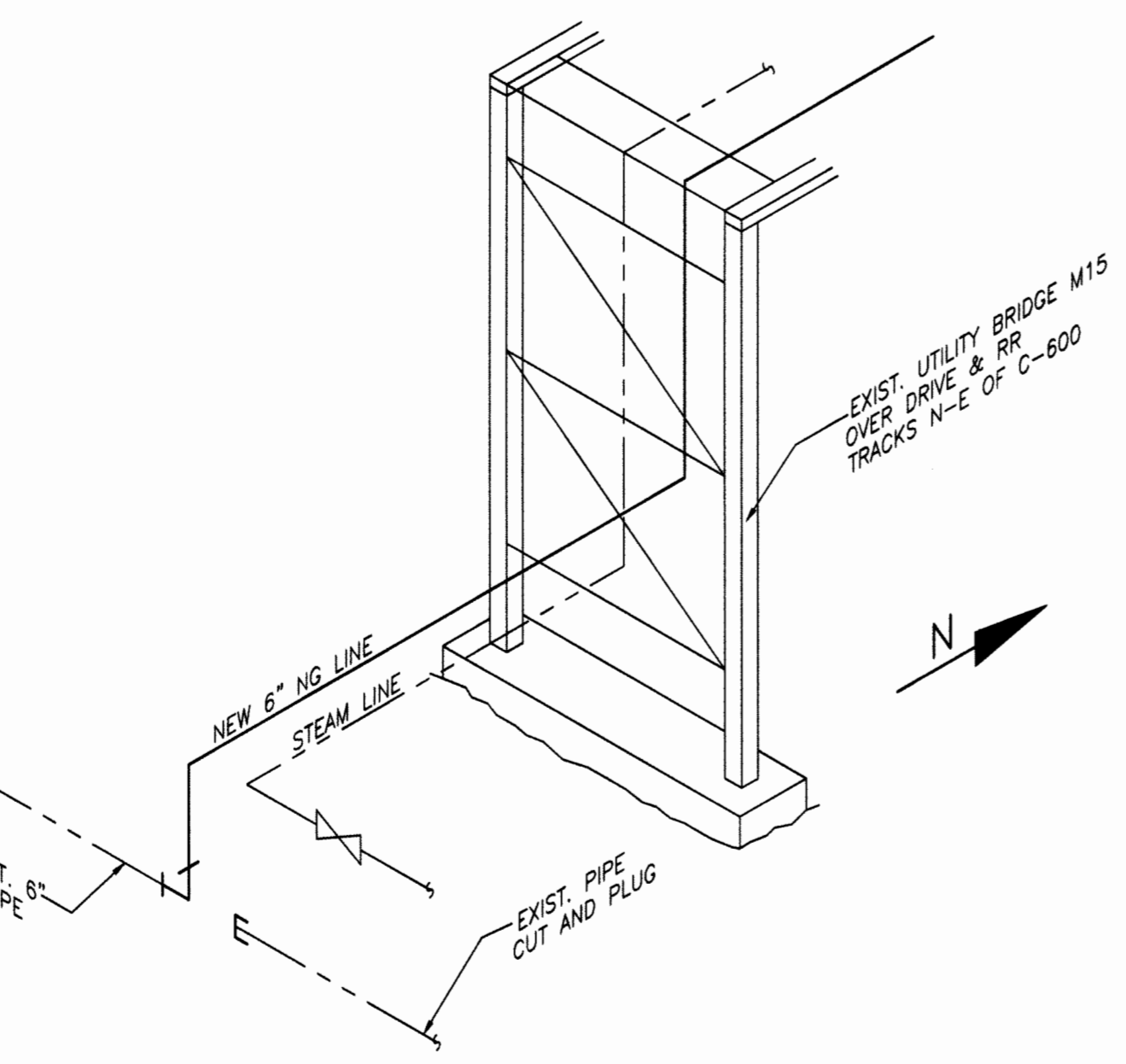
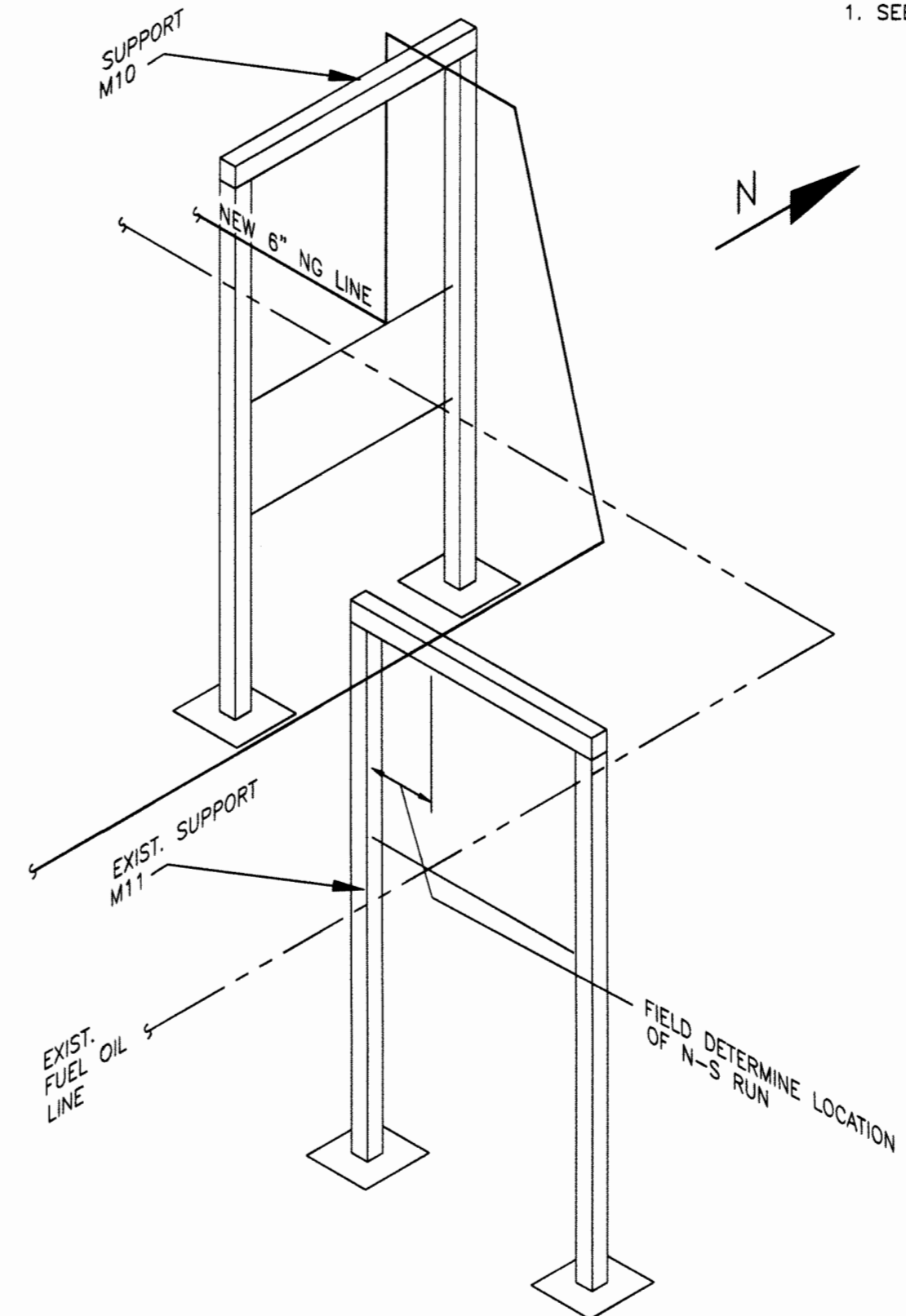
1. SEE GENERAL NOTES ON DWG. M5D-FA5270-B06



TIE-IN BETWEEN EXIST. N2 LINES SOUTH-EAST C-600

REF: DWG. C45-201-M, C16-9-M
SCALE: N.T.S.

PIPE ELEVATION CHANGE N-E CORNER @ C-600 BOILERS
SCALE: N.T.S.



M15 TIE-IN TO EXISTING N2 PIPE EAST OF C-600

SCALE: N.T.S.

THIS DRAWING
PROPOSED BY AUTOCAD
DO NOT REVISE MANUALLY

SECTION AND DETAIL KEY		TOLERANCES UNLESS OTHERWISE SPECIFIED		PE		DRW Eddie Holland <i>EH</i> 5/26/19		<p>FOUR RIVERS NUCLEAR PARTNERSHIP, LLC DOE PRIME CONTRACT # DE-EM0004885</p>						
DRAWING ON WHICH SECTION OR DETAIL IS TAKEN		FRACTIONS XX DECIMALS XXX DECIMALS ANGLES BREAK SHARP EDGES MAX. FINISH				CHKR <i>[Signature]</i> 3/22/19		<p>NATURAL GAS LINE USING EXISTING NITROGEN LINES TIE-INS AT C-600</p>						
DRAWING ON WHICH SECTION OR DETAIL IS SHOWN						RE <i>[Signature]</i> 3/22/19		<p>NON-ESSENTIAL</p> <table border="1"> <tr> <td>SCALE NONE</td> <td>PLANT PGDP</td> <td>BLDG C-600</td> <td>FL X</td> <td>CLASS U</td> </tr> </table>		SCALE NONE	PLANT PGDP	BLDG C-600	FL X	CLASS U
SCALE NONE	PLANT PGDP	BLDG C-600	FL X	CLASS U										
NO REPRESENTATION OR WARRANTY, EXPRESSED OR IMPLIED, IS MADE THAT THE USE OR DISCLOSURE OF ANY INFORMATION, APPARATUS, METHOD OR PROCESS DISCLOSED IN THESE DRAWINGS MAY NOT INFRINGE PRIVATE RIGHTS OF OTHERS. NO LIABILITY IS ASSUMED WITH RESPECT TO THE USE OF OR FOR DAMAGES RESULTING FROM THE USE OF ANY INFORMATION, APPARATUS, METHOD OR PROCESS DISCLOSED IN THESE DRAWINGS.				0 CERTIFIED FOR CONSTRUCTION FOR ESO FA5270		TR N/A		<p>SCALE: N.T.S.</p>						
REV. NO.		ISSUE / REVISION DESCRIPTION		DATE		APPD <i>[Signature]</i> 3/22/19		<p>DATE</p> <p>FA5270</p> <p>M5D-FA5270-B01</p> <p>REV 0</p>						
				X X X X X X X										