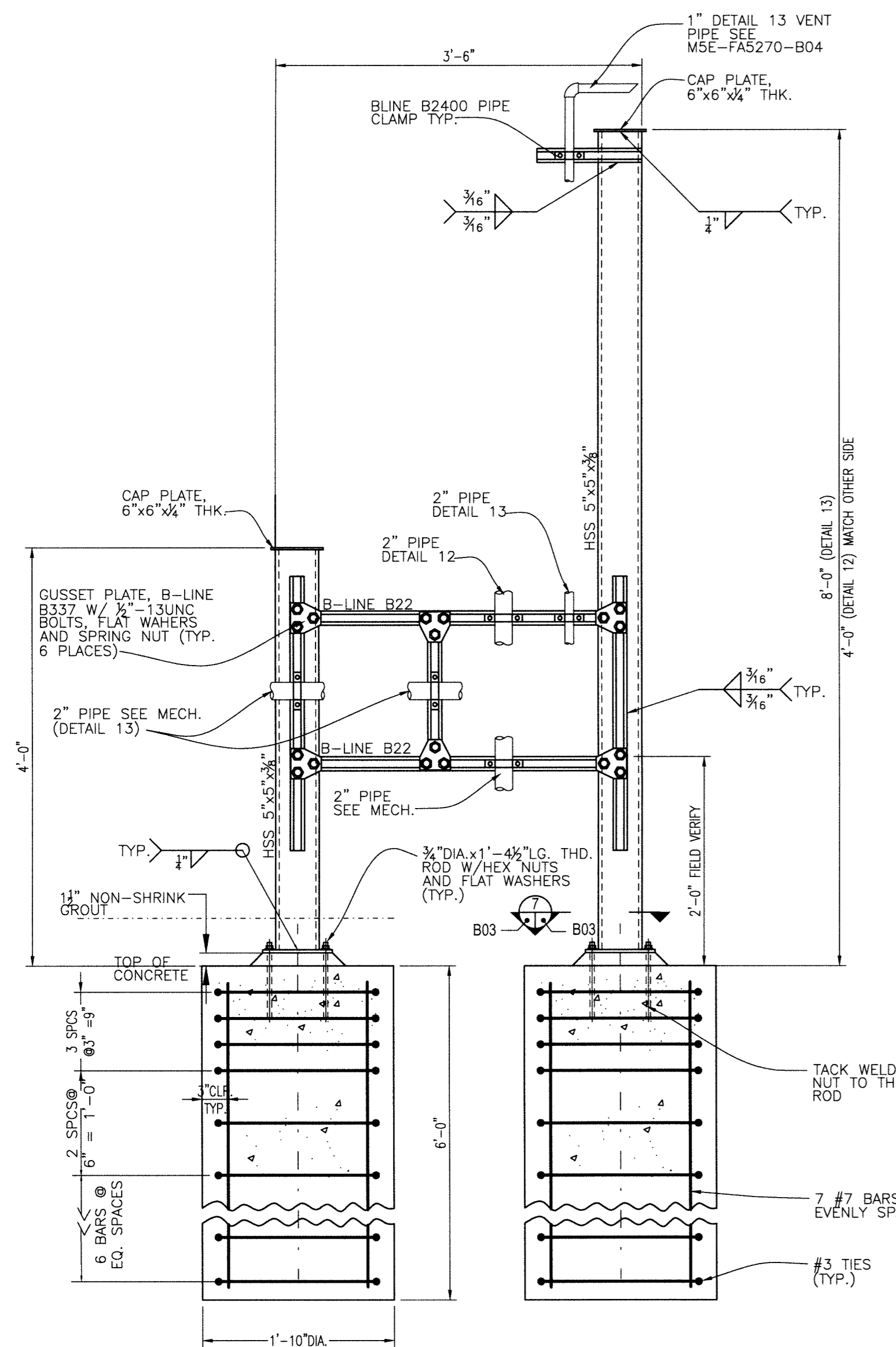
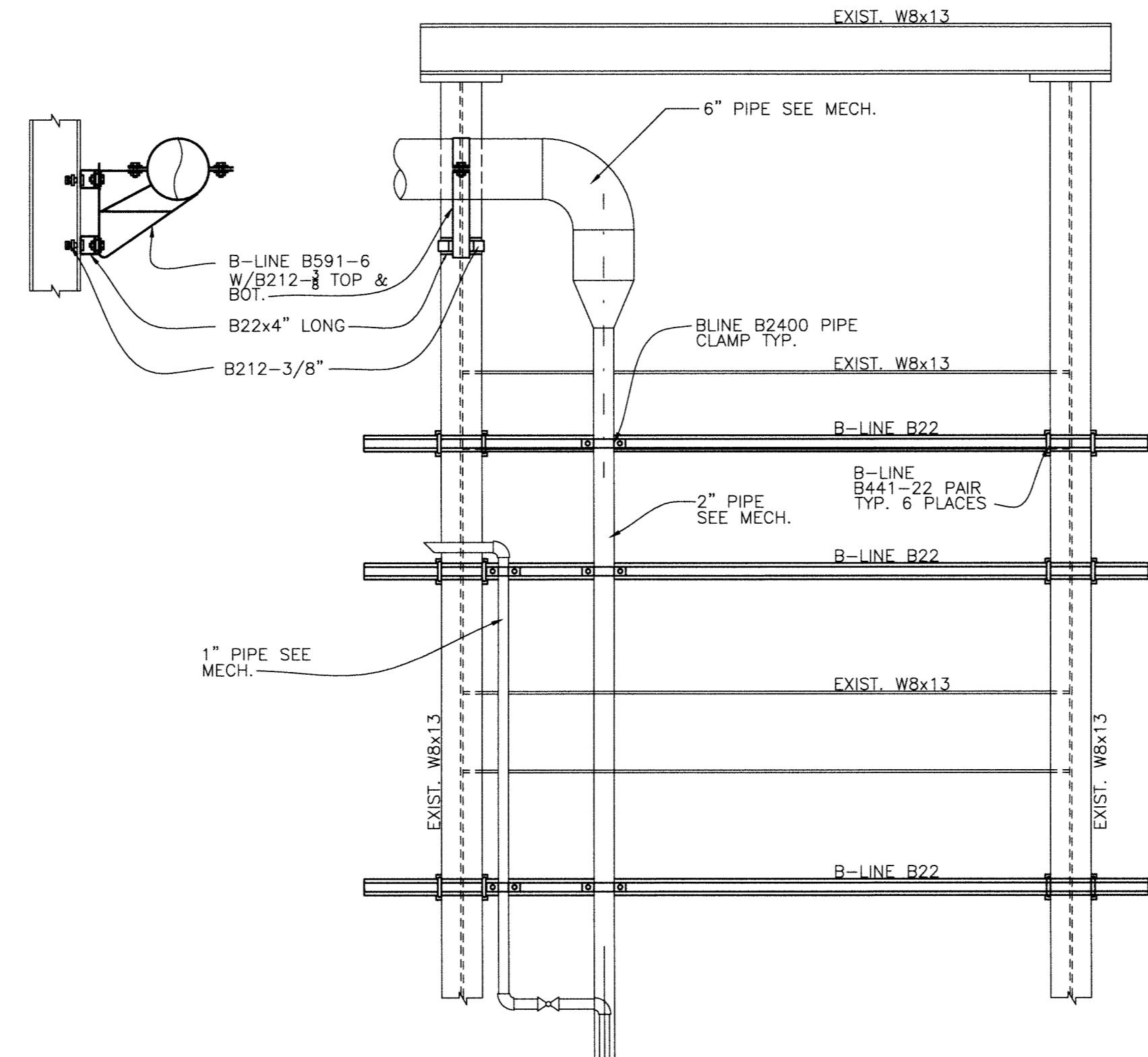


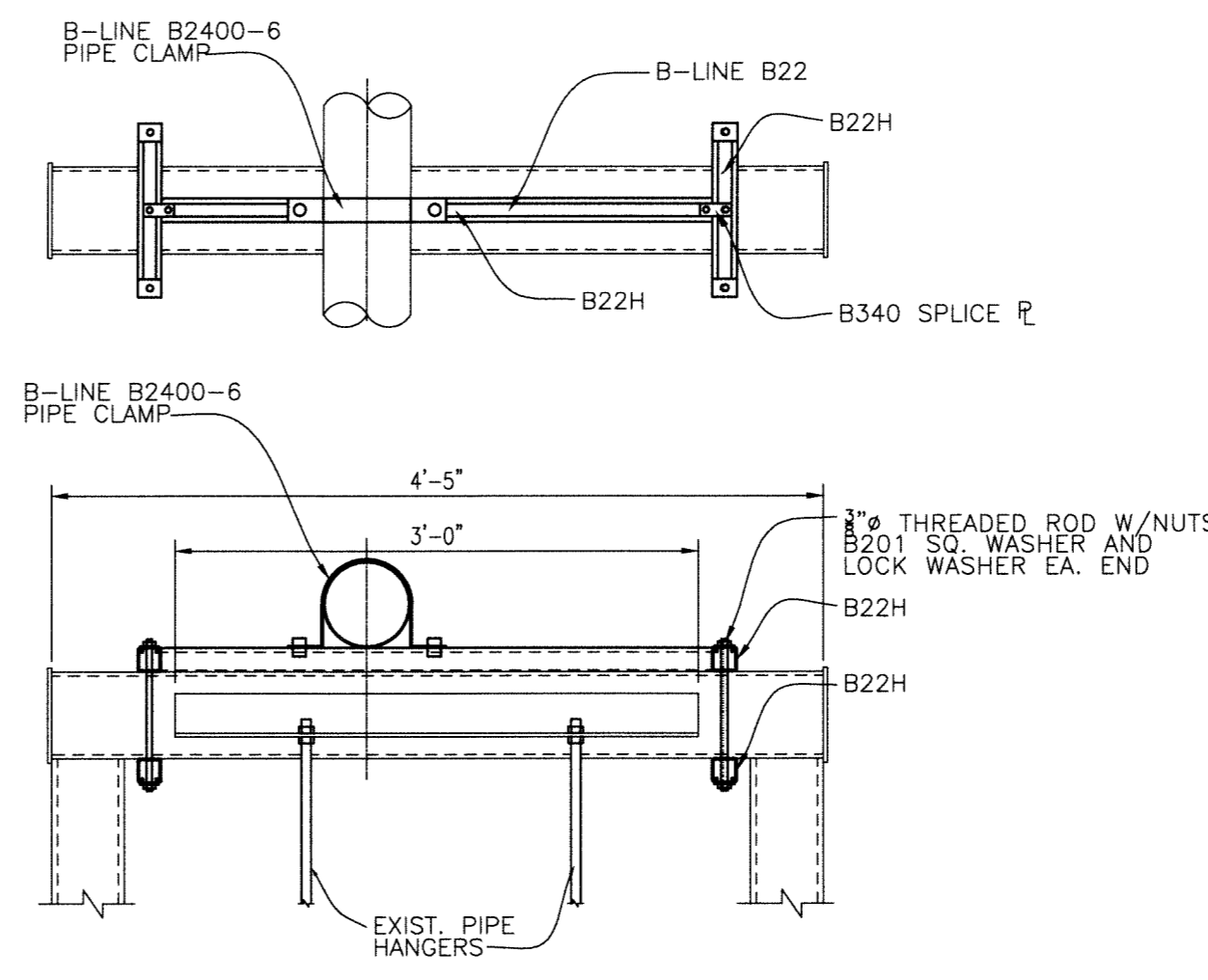
NOTE: TEMPORARILY SUPPORT PIPING DURING REPAIR. RETURN SUPPORT TO ITS ORIGINAL ALIGNMENT



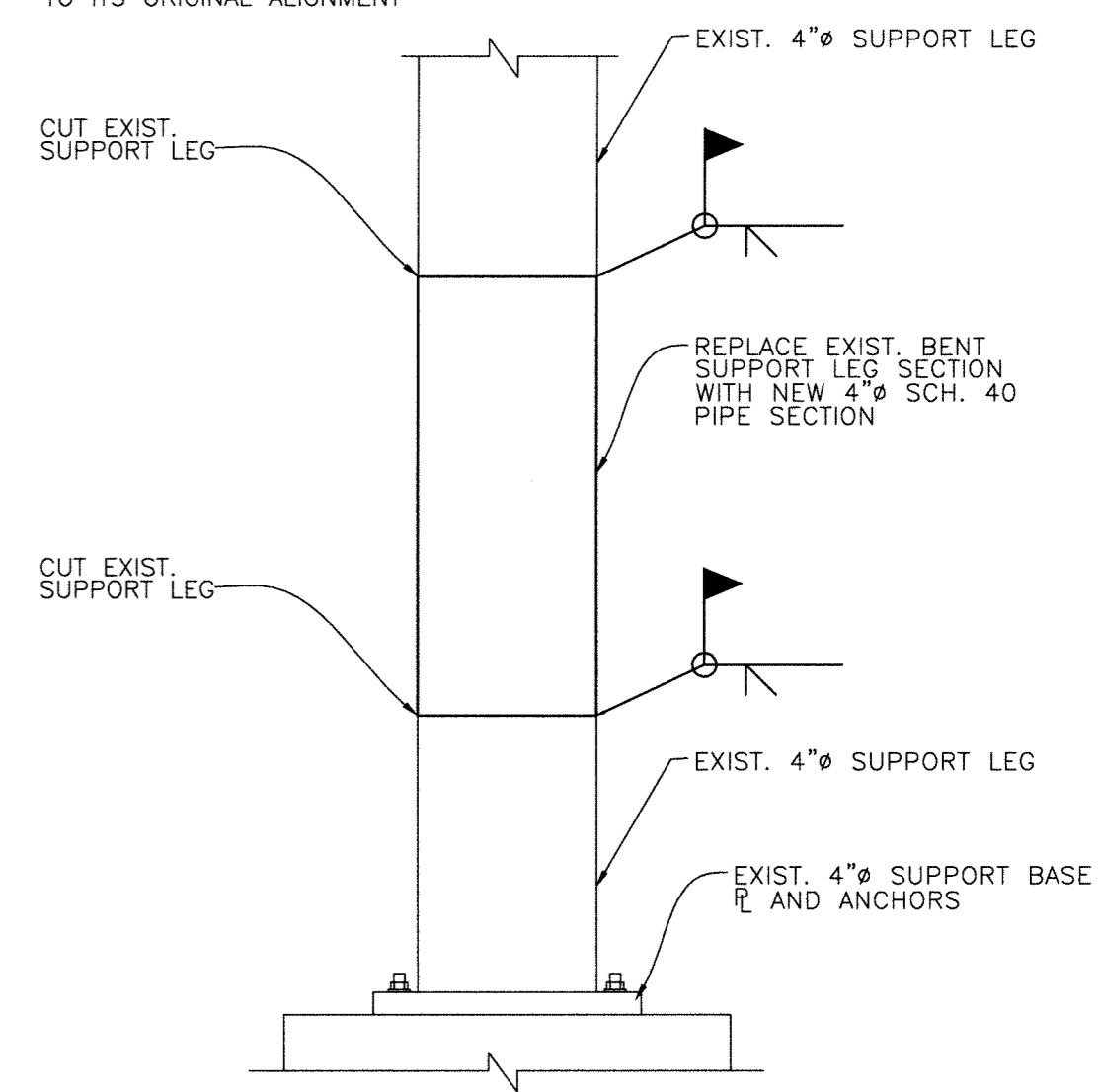
12 13 DETAIL  
SCALE: 1" = 1'



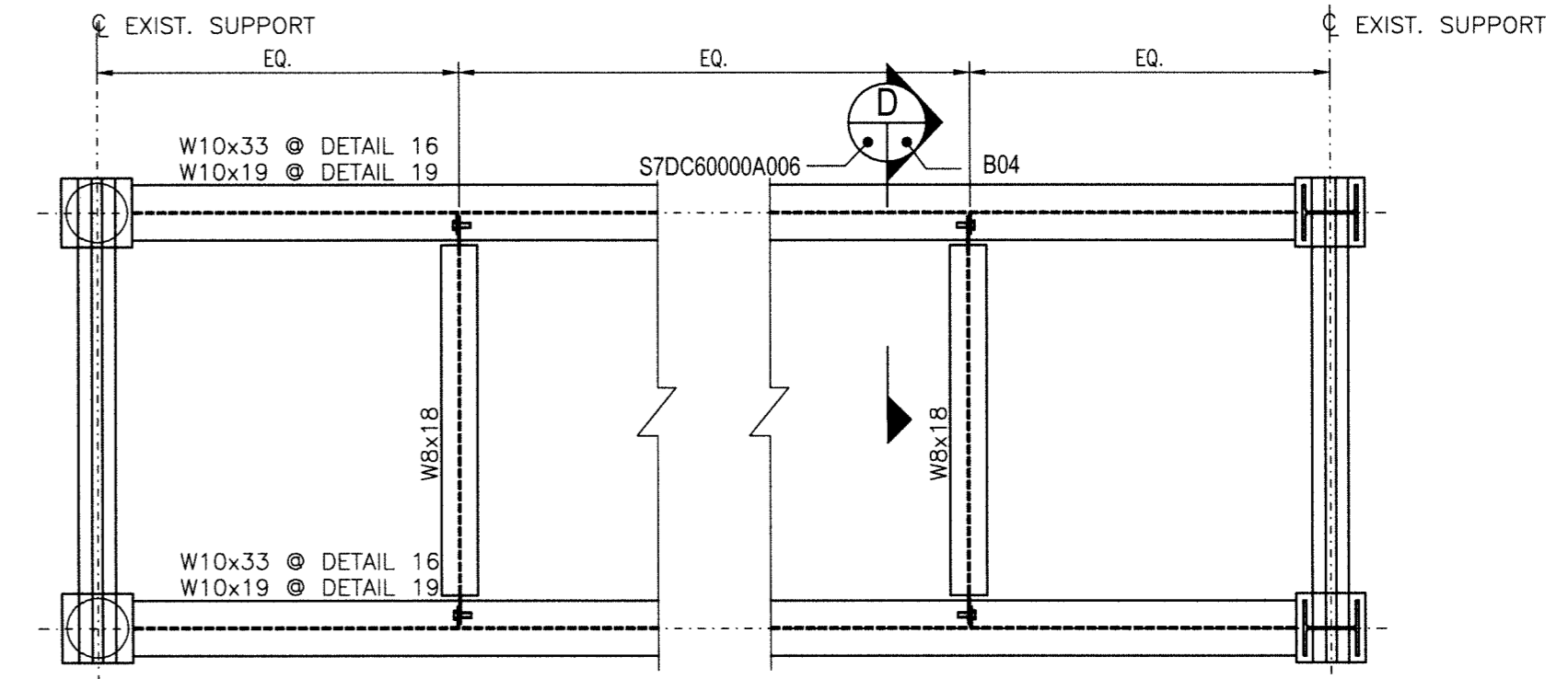
14 DETAIL  
SCALE: 1" = 1'



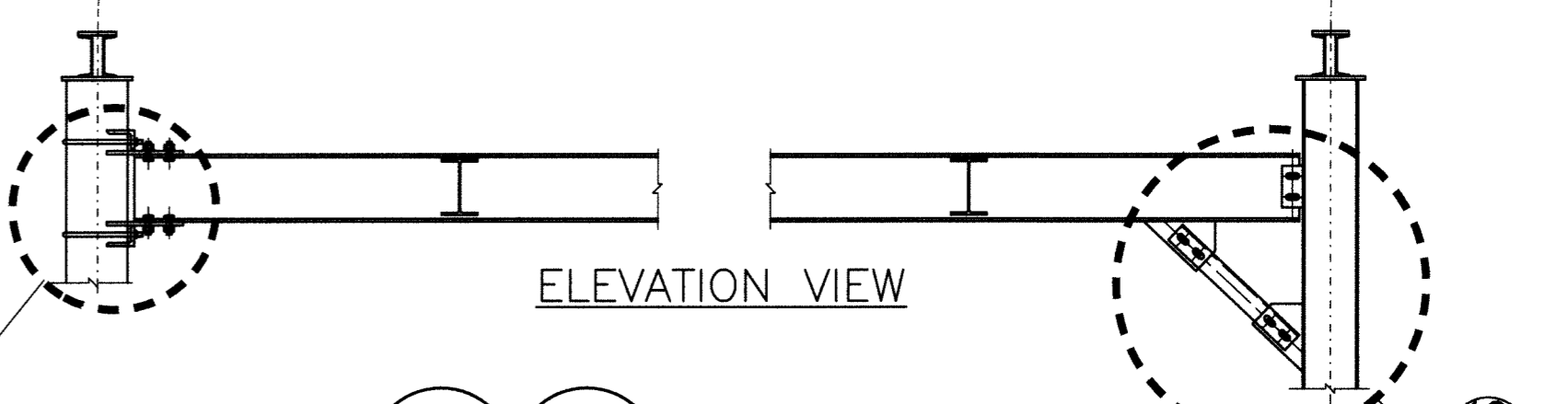
15 DETAIL  
SCALE: 1" = 1'



20 DETAIL  
SCALE: 1 1/2" = 1'



PLAN VIEW

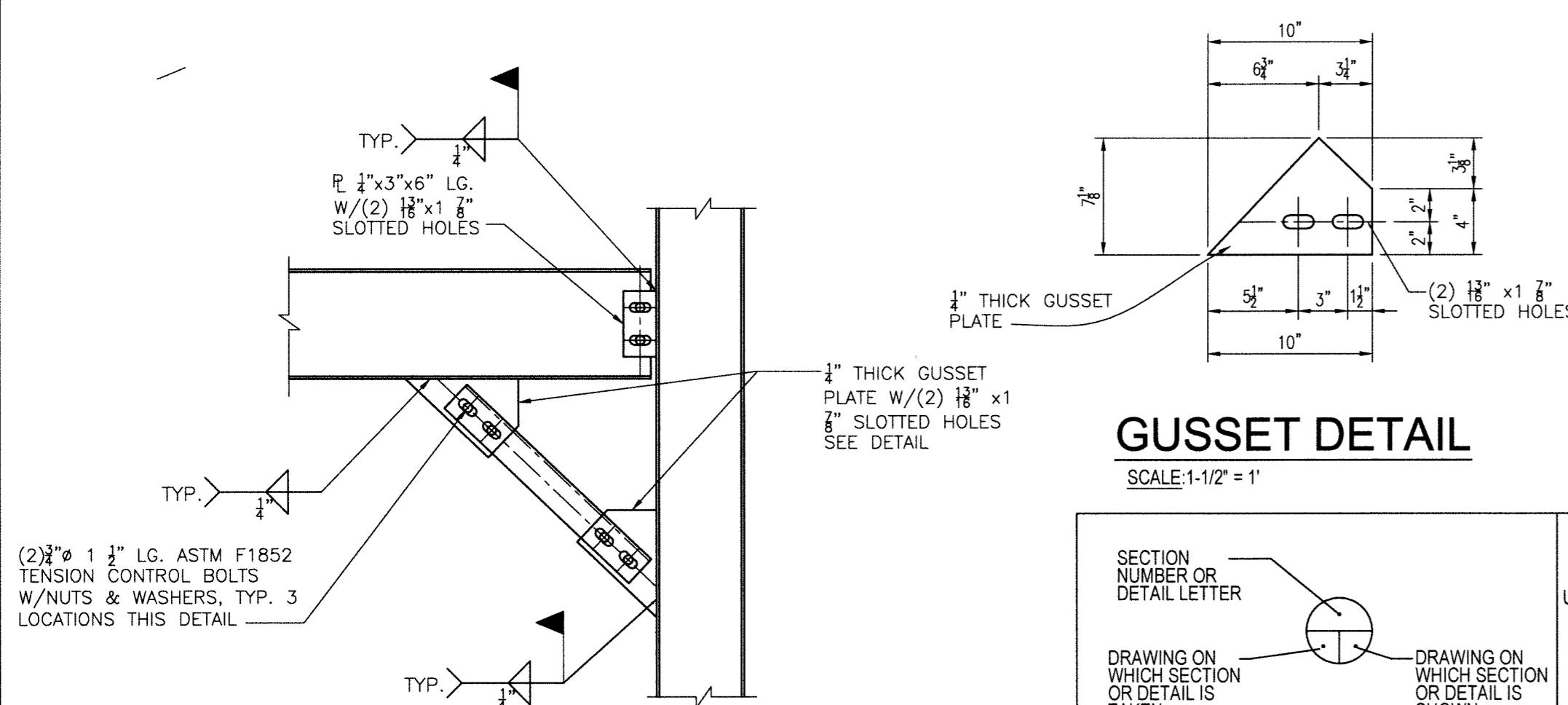


ELEVATION VIEW

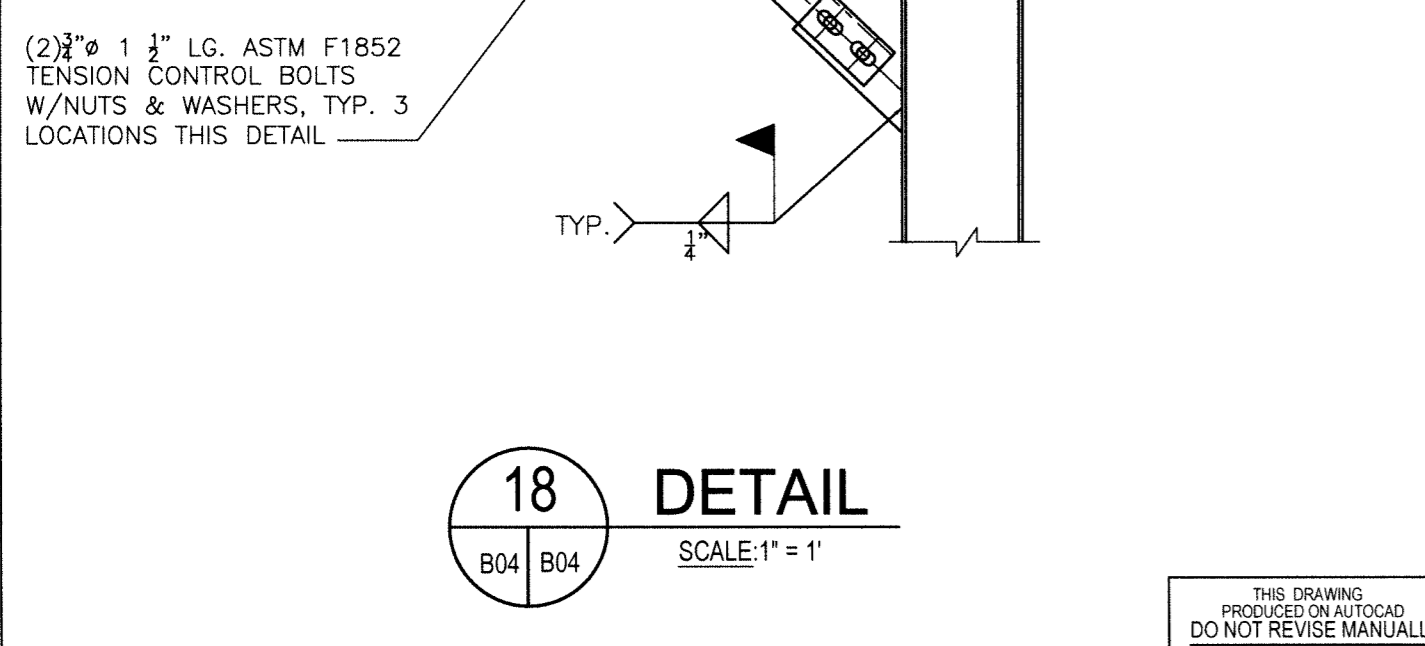
TYPICAL CONNECTION TO COLUMN AT DETAIL 18

16 19 DETAIL  
SCALE: 1/2" = 1'-0"

TYPICAL CONNECTION TO COLUMN AT DETAIL 19



GUSSET DETAIL  
SCALE: 1-1/2" = 1'



18 DETAIL  
SCALE: 1" = 1'

SECTION NUMBER OR DETAIL LETTER	TOLERANCES UNLESS OTHERWISE SPECIFIED
	FRACTIONS ± 1/16
	XXX DECIMALS
	ANGLES BREAK SHARP EDGES MAX. FINISH

SECTION AND DETAIL KEY

DRAWING ON WHICH SECTION OR DETAIL IS TAKEN

DRAWING ON WHICH SECTION OR DETAIL IS SHOWN

NO REPRESENTATION OR WARRANTY, EXPRESSED OR IMPLIED, IS MADE THAT THE USE OR DISCLOSURE OF ANY INFORMATION, APPARATUS, METHOD OR PROCESS DISCLOSED IN THESE DRAWINGS MAY NOT INFRINGE PRIVATE RIGHTS OF OTHERS. NO LIABILITY IS ASSUMED WITH RESPECT TO THE USE OF, OR FOR DAMAGES RESULTING FROM THE USE OF ANY INFORMATION, APPARATUS, METHOD OR PROCESS DISCLOSED IN THESE DRAWINGS.

REV. NO.	ISSUE / REVISION DESCRIPTION	DATE	DRW	CHKR	RE	TR	APPD
0	CERTIFIED FOR CONSTRUCTION FOR ESO FA5270		X	X	X	X	X

PE

DRW Eddie Holland 03-20-19

CHKR Keith Thorn 03-20-19

RE Keith Thorn 03-20-19

TR N/A

APPD Keith Thorn 03-23-19

STATE OF KENTUCKY  
J. KEITH THORN  
16809  
LICENSED PROFESSIONAL ENGINEER  
03-20-19

FOUR RIVERS NUCLEAR PARTNERSHIP, LLC  
DOE PRIME CONTRACT # DE-EM0004895

NATURAL GAS LINE USING EXISTING NITROGEN LINES DETAILS

NON-ESSENTIAL

SCALE AS NOTED	PLANT PGDP	BLDG AREA	FL NA	CLASS U
----------------	------------	-----------	-------	---------

C5D-FA5270-B04

REV 0