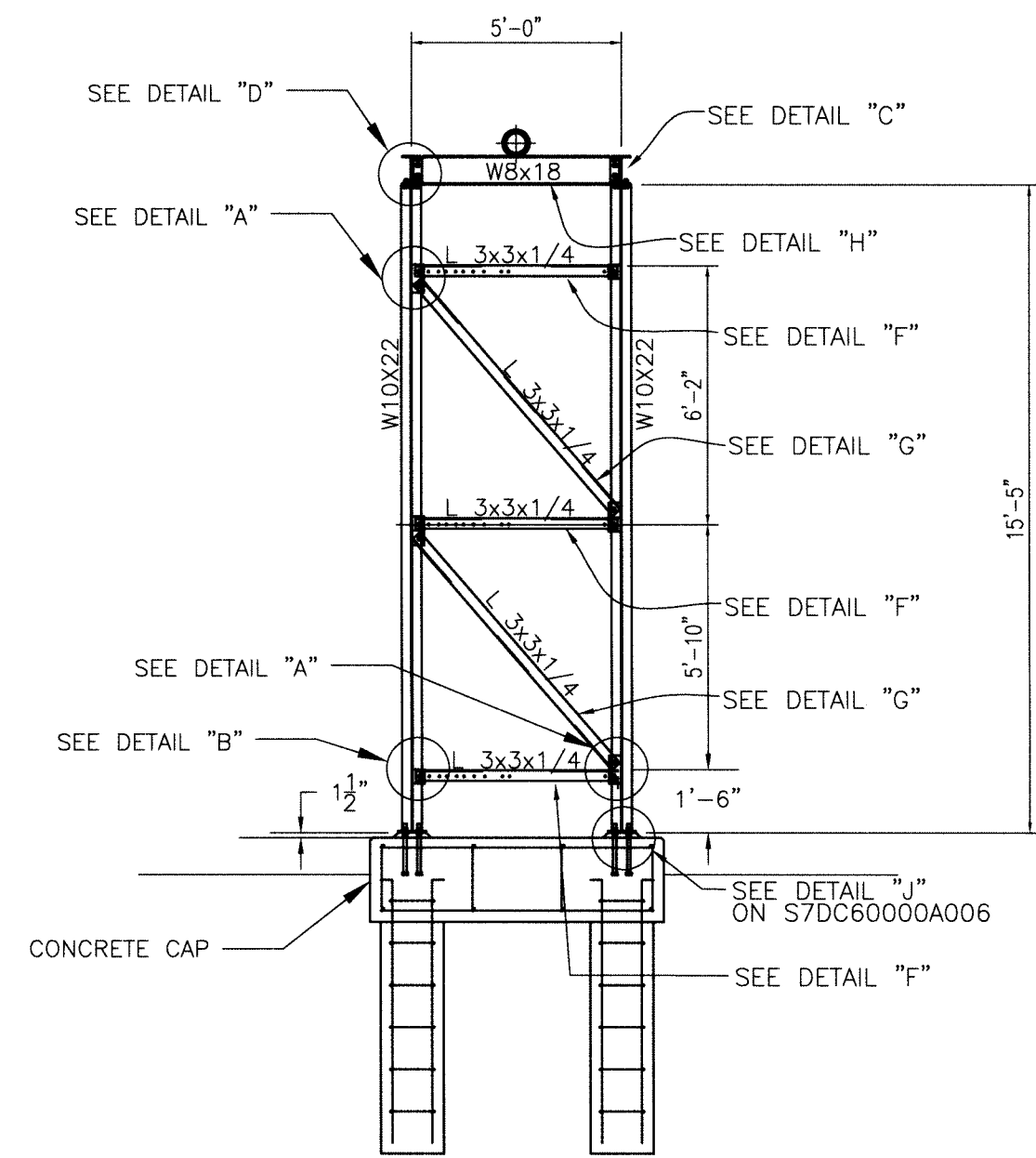
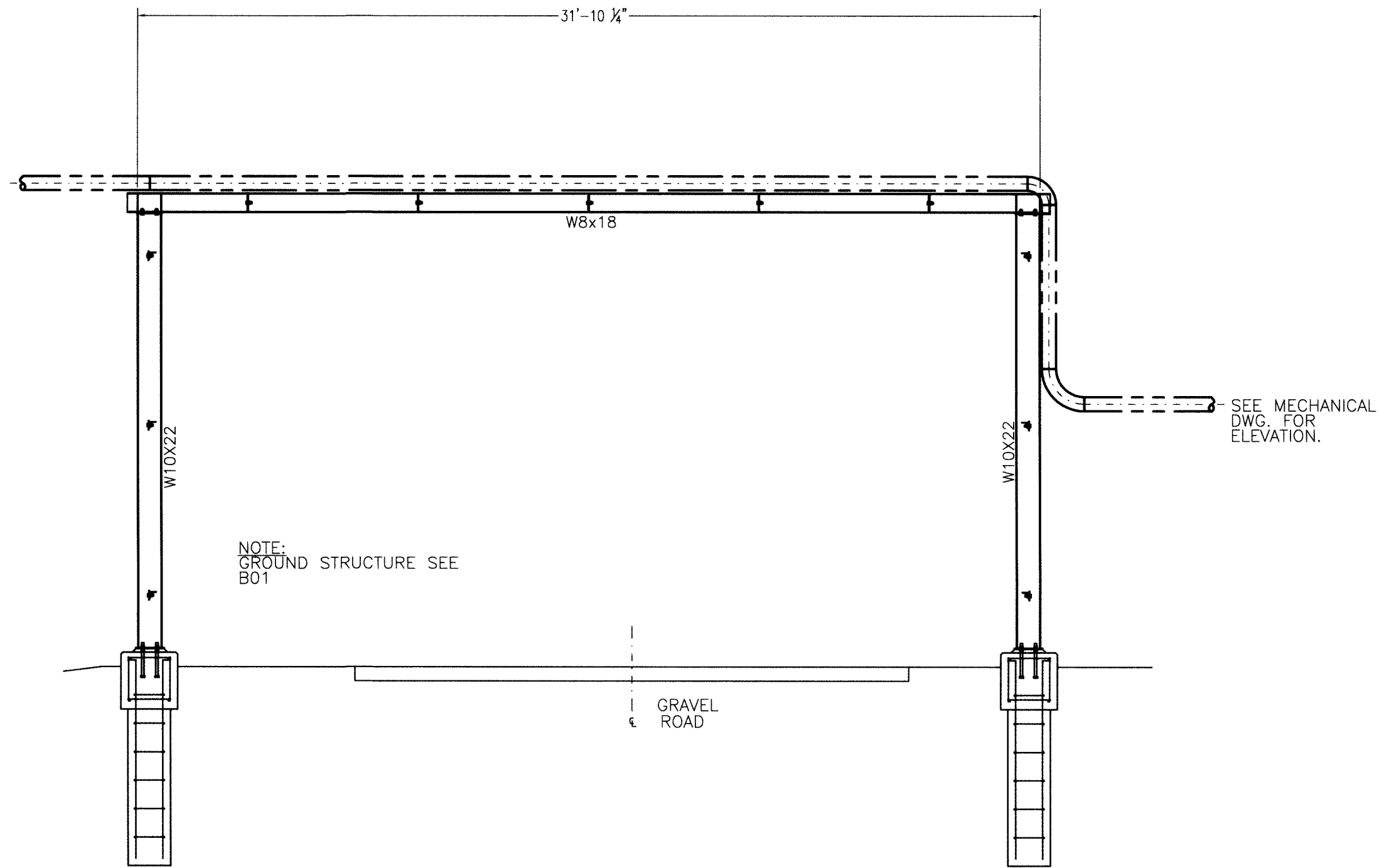


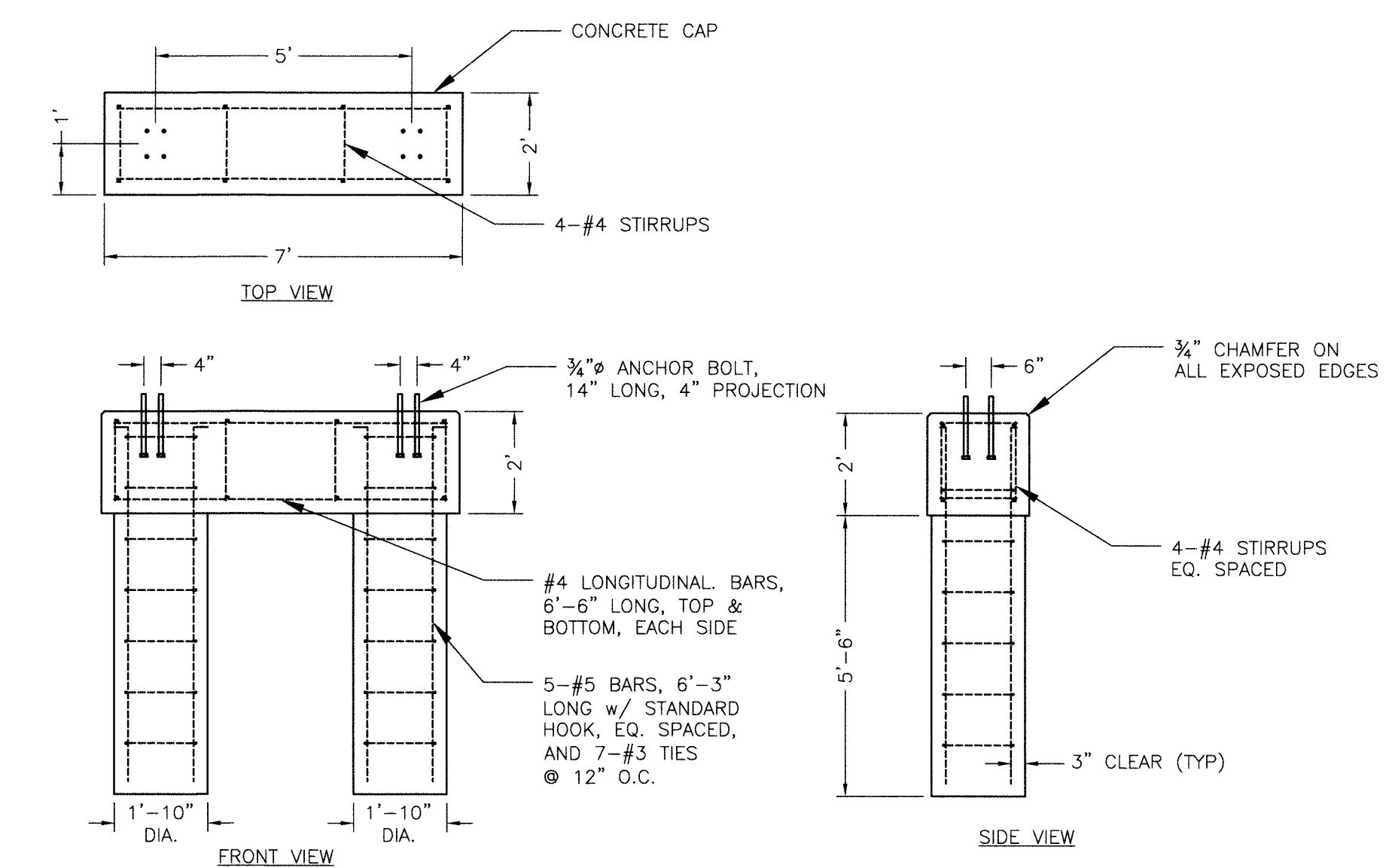
NOTE:
FOR PIECE DETAILS A, B, C, D, F, G, H, J,
SEE DRAWINGS:
S7DC60000A005, REV 3
S7DC60000A006, REV 3
S7DC60000A007, REV 3
S7DC60000A008, REV 4



PIPE BRIDGE EAST ELEVATION
Scale: 1/4"=1'-0"



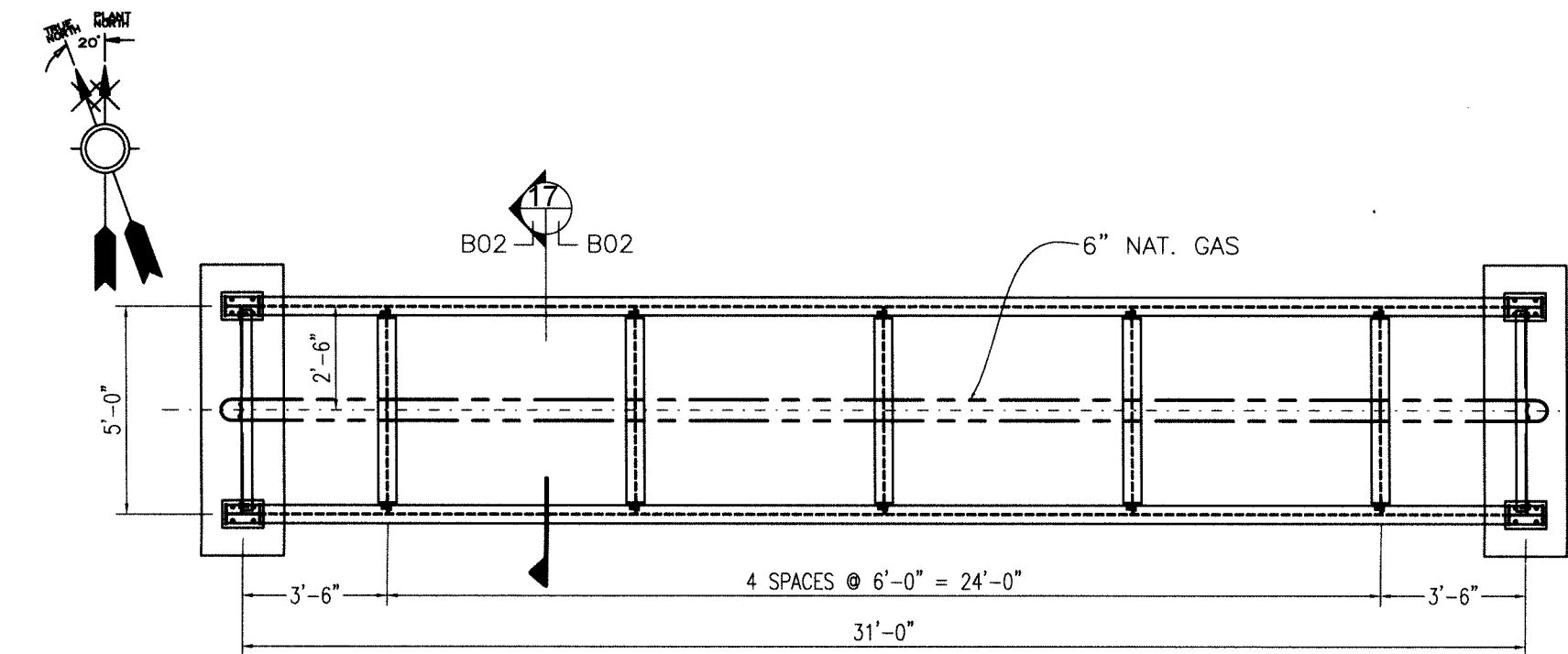
PS1 PIPE BRIDGE SOUTH ELEVATION
Scale: 1/4" = 1'-0"



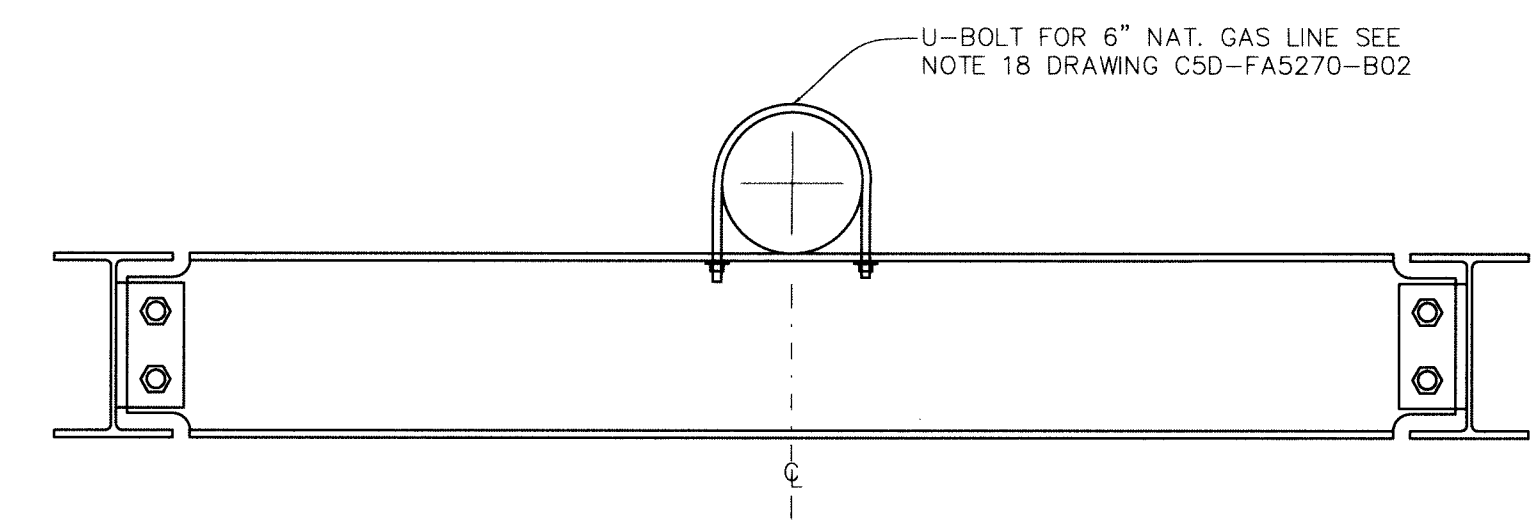
DRILLED CONCRETE PIER FOUNDATION
Scale: 3/8" = 1'-0"

PIPE BRIDGE NOTES:

- STRUCTURAL STEEL SHALL MEET THE FOLLOWING REQUIREMENTS:
 - W SHAPES: ASTM A992, Fy=50 KSI
 - ANGLE AND PLATE: ASTM A36, Fy=36 KSI
 - HSS (SQUARE TUBING): ASTM A500 GRADE B
- ALL WELDING SHALL BE PERFORMED BY QUALIFIED WELDERS IN ACCORDANCE WITH AWS D1.1 USING E70 ELECTRODES. SUBMIT WELDER QUALIFICATION RECORDS TO CONTRACTOR PRIOR TO STARTING FABRICATION.
- ALL HOLES SHALL BE DRILLED. BURNING IS NOT ALLOWED. VERIFY MOUNTING DIMENSIONS OF U-BOLTS PRIOR TO DRILLING.
- SUBMIT STRUCTURAL STEEL SHOP DRAWINGS FOR CONTRACTOR ACCEPTANCE PRIOR TO FABRICATION.
- CLEAN STEEL IN ACCORDANCE WITH SSPC-SP2, HAND TOOL CLEANING.
- PRIME STEEL WITH 2 MILS TNEEC SERIES 10 PRIMER AND FINISH WITH 2 MILS TNEEC SERIES 2H HIGH GLOSS ENAMEL (INDUSTRIAL GREY), OR CONTRACTOR ACCEPTED ALTERNATE.
- ALL BOLTS FOR STRUCTURAL STEEL CONNECTIONS SHALL MEET THE REQUIREMENTS OF ASTM A325.
- ANCHOR BOLTS SHALL MEET THE REQUIREMENTS OF ASTM F1554, Fy=36 KSI.
- CONCRETE SHALL BE CLASS "AA" AND HAVE A MINIMUM COMPRESSIVE STRENGTH OF 4000 PSI AT 28 DAYS, 2-4 INCH SLUMP, AND 8% ± 2% AIR ENTRAINMENT. SUBMIT CONCRETE MIX DESIGN FOR CONTRACTOR ACCEPTANCE PRIOR TO START OF FIELD WORK.
- REBAR SHALL MEET THE REQUIREMENTS OF ASTM A615, Fy=60 KSI. SUBMIT REBAR SHOP DRAWINGS FOR CONTRACTOR ACCEPTANCE PRIOR TO FABRICATION.
- CONCRETE COVER REQUIREMENTS:
 - CAST AGAINST AND PERMANENTLY EXPOSED TO EARTH = 3"
 - CONCRETE EXPOSED TO EARTH OR WEATHER = 1 1/2"
- PROVIDE 3/8" CHAMFER ON ALL EXPOSED CONCRETE EDGES.
- ALL CONCRETE WORK SHALL BE PERFORMED IN ACCORDANCE WITH ACI 318.
- ALLOW CONCRETE TO CURE A MINIMUM OF 3 DAYS BEFORE ERECTING STEEL.
- PROVIDE RUBBED FINISH TO EXPOSED CONCRETE SURFACES.
- GROUT SHALL BE DURAGROUT, NON-SHRINK, NON-METALLIC, CEMENT BASE GROUT AS MANUFACTURED BY L&M CONSTRUCTION CHEMICALS, INC. OR CONTRACTOR ACCEPTED ALTERNATE.
- GROUND STRUCTURE IN ACCORDANCE WITH ENGINEERING STANDARD ES-1.2-3 AS SHOWN ON DRAWING C5E-FA5270-B01
- HOT DIPPED GALVANIZED STEEL U-BOLTS WITH NUTS AND WASHERS SHALL BE 3/8" - 16 THREAD SIZE FOR BOTH 2" AND 6" PIPE.
- ALL MODULAR STRUT MEMBERS AND FITTINGS SHALL BE COOPER/B-LINE PRODUCTS. OTHER MANUFACTURES MAY BE SUBMITTED FOR CONTRACTOR CONSIDERATION AND APPROVAL.



PS1 PIPE BRIDGE PLAN VIEW
Scale: 1/4"=1'-0"



17 DETAIL
SCALE: 1 1/2" = 1'

SECTION NUMBER OR DETAIL LETTER SECTION AND DETAIL KEY DRAWING ON WHICH SECTION OR DETAIL IS TAKEN DRAWING ON WHICH SECTION OR DETAIL IS SHOWN	TOLERANCES UNLESS OTHERWISE SPECIFIED FRACTIONS ± 1/16" XX DECIMALS XXX DECIMALS ANGLES BREAK SHARP EDGES MAX. FINISH	PE		DRW Eddie, Holland 03-20-19 CHKR [Signature] 03-20-19 RE [Signature] 03-20-19 TR N/A APPD [Signature] 3/20/19				FOUR RIVERS NUCLEAR PARTNERSHIP, LLC DOE PRIME CONTRACT # DE-EM0004895			
		"NO REPRESENTATION OR WARRANTY, EXPRESSED OR IMPLIED, IS MADE THAT THE USE OR DISCLOSURE OF ANY INFORMATION, APPARATUS, METHOD OR PROCESS DISCLOSED IN THESE DRAWINGS MAY NOT INFRINGE PRIVATE RIGHTS OF OTHERS. NO LIABILITY IS ASSUMED WITH RESPECT TO THE USE OF, OR FOR DAMAGES RESULTING FROM THE USE, ANY INFORMATION, APPARATUS, METHOD OR PROCESS DISCLOSED IN THESE DRAWINGS."		0 CERTIFIED FOR CONSTRUCTION FOR ESO FA5270 X X X X X X ISSUE / REVISION DESCRIPTION DATE DRW CHKR RE TR APPD		DRAWING APPROVALS DATE		NATURAL GAS LINE USING EXISTING NITROGEN LINES PIPE BRIDGE AND FOUNDATION DETAILS NON-ESSENTIAL SCALE AS NOTED PLANT PGDP BLDG AREA FL NA CLASS U ID NA C5D-FA5270-B02 REV 0			