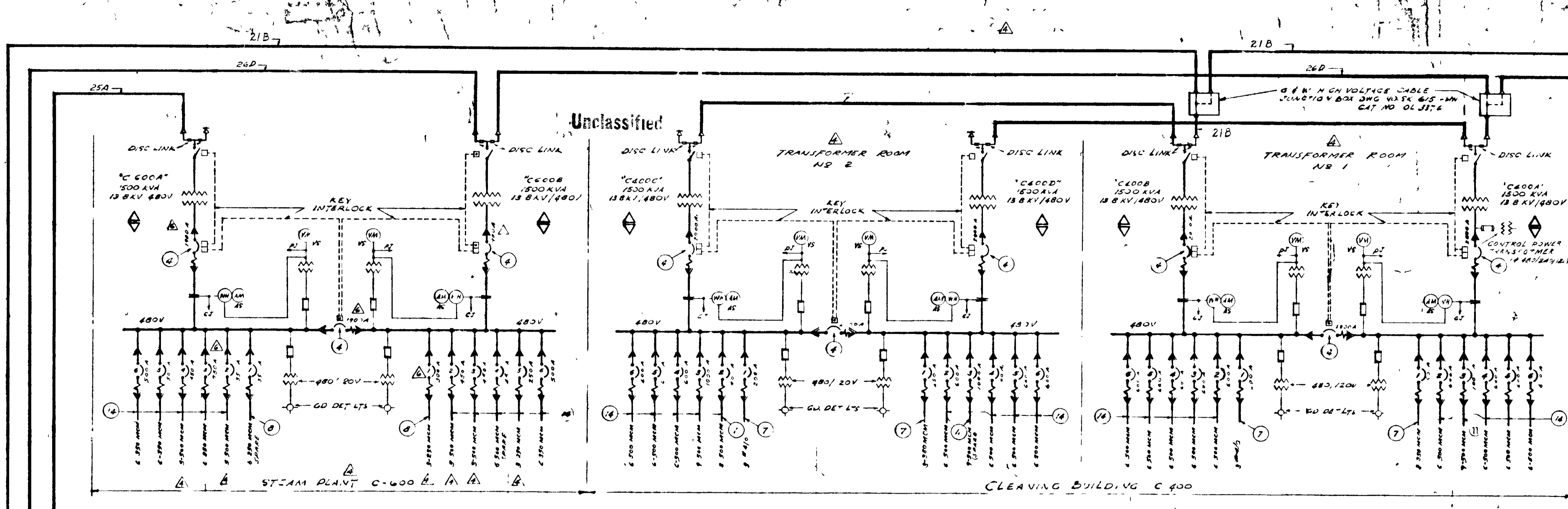


ELECTRICAL EQUIPMENT

1	600 A 3P 84V 150,000 KVA 1C	ELECTRICALLY OPERATED
2	1200 A	"
3	600 A	50,000
4	2000 A	630V 75,000 AHIP
5	1000 A	50,000 AHIP
6	800 A	"
7	800 A	"
8	800 A	"
9	800 A	25,000
10	1800 A	50,000
11	1800 A	"
12	800 A	"
13	800 A	"
14	800 A	"
15	800 A	"
16	800 A	"
17	800 A	"
18	800 A	"
19	800 A	"
20	800 A	"
21	800 A	"
22	800 A	"
23	800 A	"
24	800 A	"

NEHA DEVICE NUMBERS

25	12V/120V RELAY FOR 2"
27	UNDERVOLTAGE RELAY
19	THERMAL OVERLOAD RELAY
71	INSTANTANEOUS OVERCURRENT RELAY
73	ALARM RELAY OVERCURRENT INDICATOR



NOTES

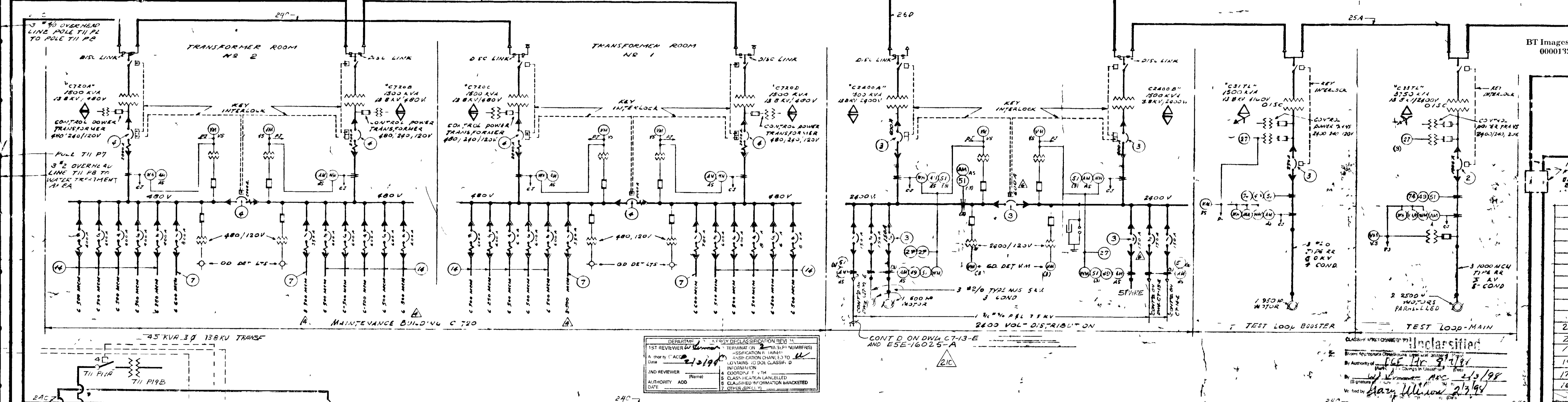
1. 2" (1/2") 5/8" DIA. 304 STAINLESS STEEL SHALL BE 500 MCM, TYPE W 1 C, 18 AWG, 0.14 C - 1" SOLID V. F. 40" UNIMOLE
2. UNDERGROUND PRIMARY CABLE SHALL BE 500 MCM, P 110 90, 18 AWG EXCEPT AS NOTED
3. FIGURES ADJACENT TO BREAKERS INDICATE TRIP SETTINGS (NOT FRAME SIZE)

REFERENCE DRAWINGS

C 400	E 4 7 E
C 100	E 1 5 E
C 700	E 3 6 E
C 317L	E 4 7 5 E
C 337L	E 4 7 5 E
C 600	E 1 9 E
2400V DIST	E 1 9 E
NO. 204 TEST	E 3 6 E, E 3 6 E, E 3 6 E
COMP TEST	E 3 6 E, E 3 6 E
C 710	E 2 9 E

FOR REVISION

1	E 1 9 E
2	E 1 9 E
3	E 1 9 E



BT Images, Inc.
00001324

CERTIFIED FOR CONSTRUCTION

DATE: 11/17/76

21C	JL 5/3 BUILT	ADDED REF DWG ESE 16025 A	12/23/83
20C	12/17/77	BUILT PER 100 10174 MO	1/1/78
19C	11/17/77	ADD SW PUMP	1/1/78
17C	4/13/76	ADD SW PUMP	1/1/78
16C	1/13/76	ADD SW PUMP	1/1/78
15C	1/13/76	ADD SW PUMP	1/1/78
14C	1/13/76	ADD SW PUMP	1/1/78
13	1/13/76	AS BUILT	1/13/76
12	1/13/76	DEVIATION REQUEST NO. 697 E	12/22/76
11	1/13/76	REVISION REQUEST NO. 592 E	12/14/76
10	9/24/76	REVISION REQUEST NO. 758	10/3/76
9	9/24/76	REVISION REQUEST NO. 713	8/17/76
8	7/3/76	REVISION REQUEST NO. 659	7/7/76
7	6/3/76	REVISION REQUEST NO. 387	6/3/76
6	2/22/76	REVISION REQUEST NO. 325 (A0362)	1/24/76
5	1/13/76	REVISION REQUEST NO. 236	1/13/76
4	1/13/76	REVISION REQUEST NO. 74	1/13/76
3	1/13/76	CONSTRUCTION	1/13/76
2	1/13/76	ADDED TRAINING LOADS, WATER TREATMENT	1/13/76
1	1/13/76	NO LOAD MOTOR & COMPRESSOR TEST	1/13/76
0	1/13/76	APPROVAL	1/13/76

