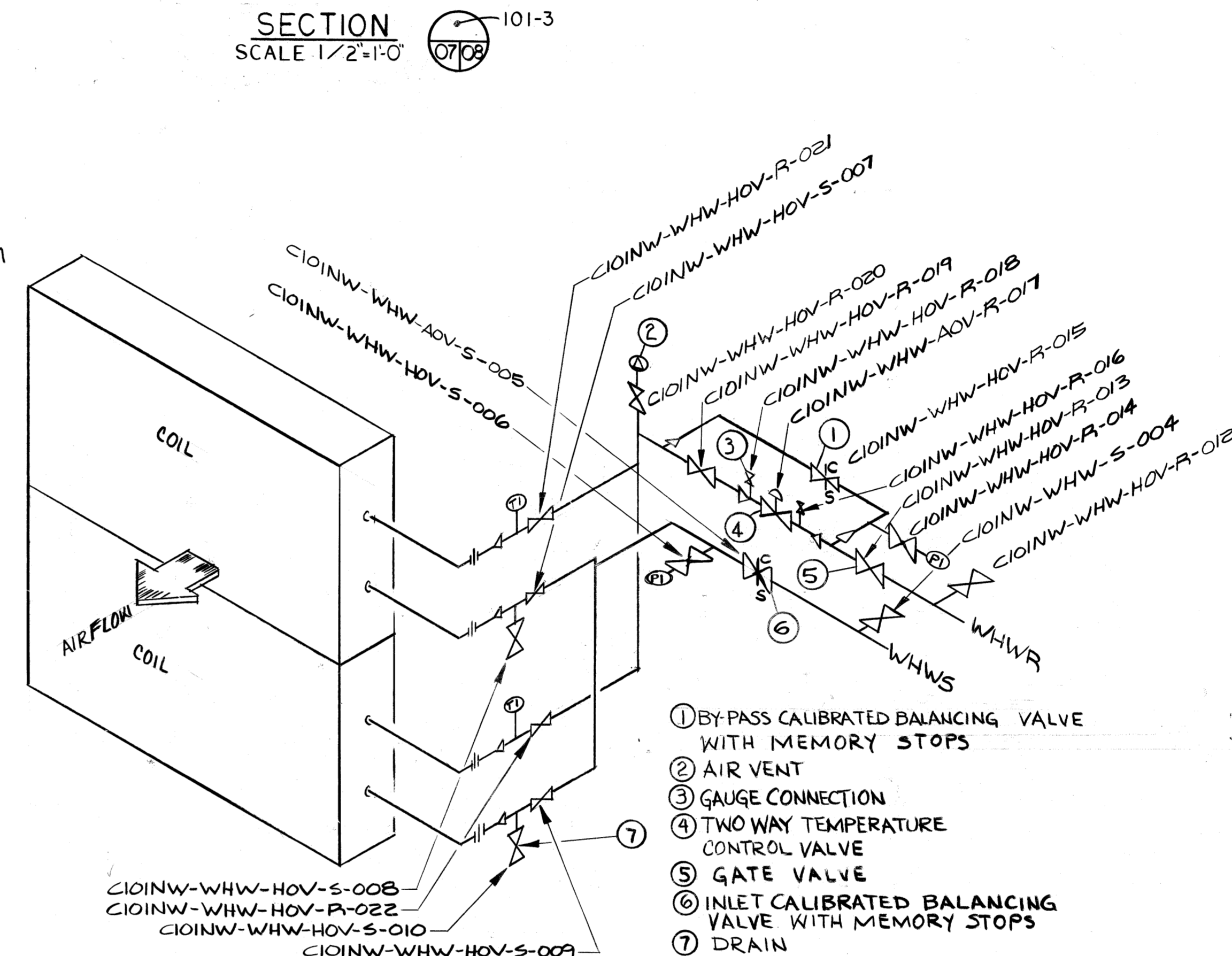
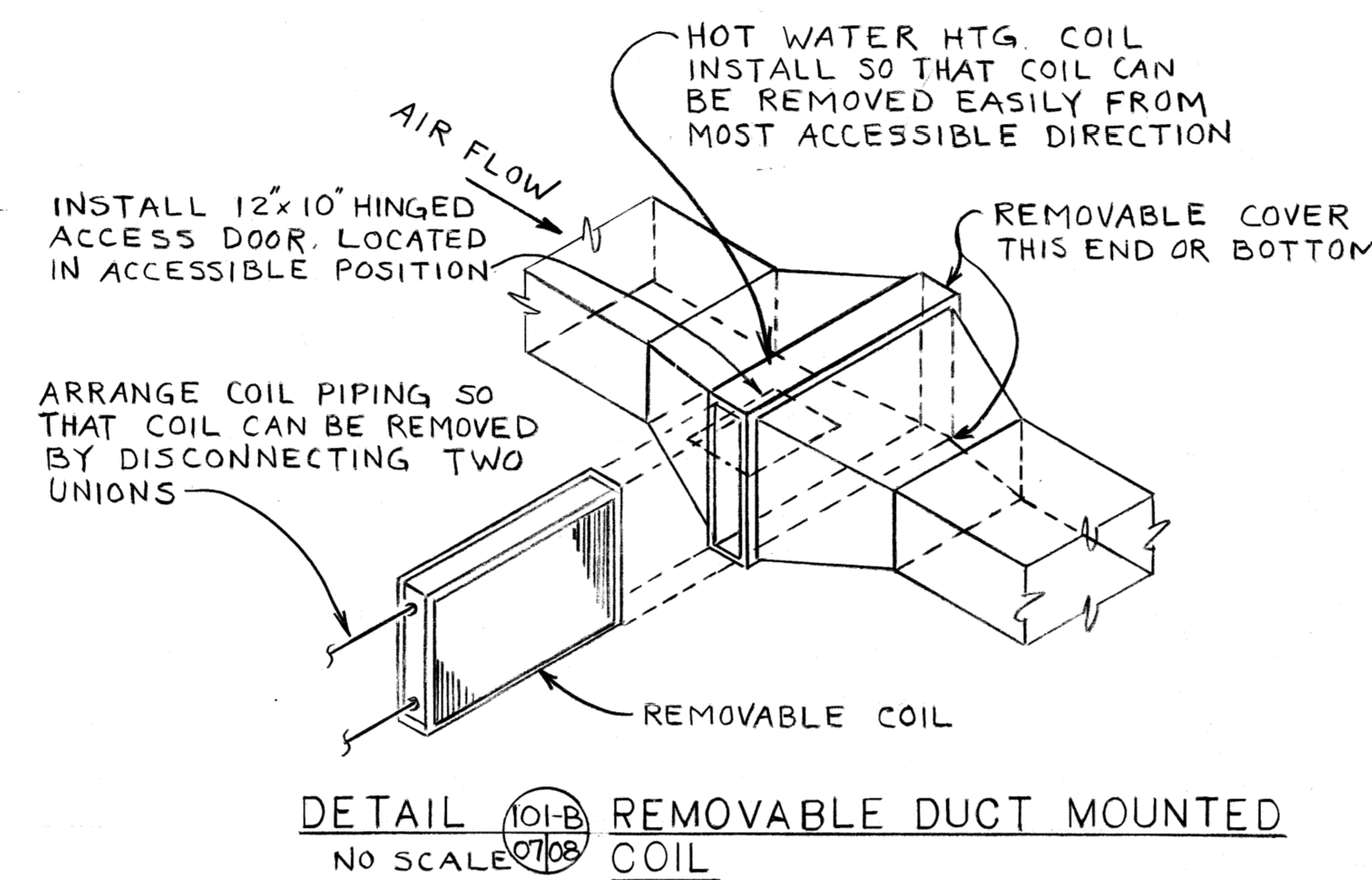
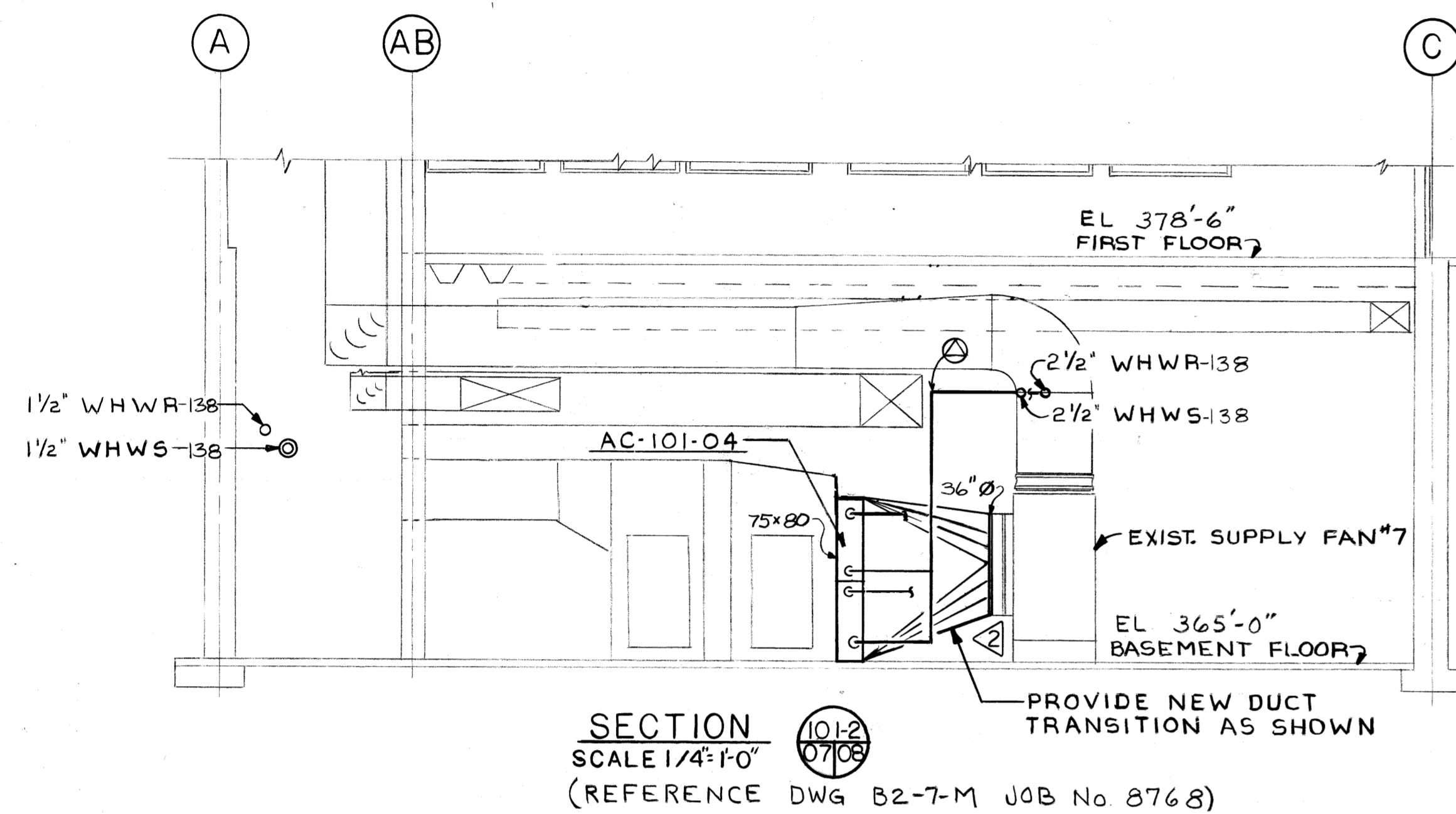


- NOTES:**
- FOR GENERAL NOTES & LEGEND SEE DWG. 01
 - REFER TO THIS DWG. FOR HOT WATER HEATING COIL & CONTROL VALVE SCHEDULES - BLDG C-101
 - REFER TO DWG. 07 FOR TYPICAL CONTROL DIAGRAMS BLDG. C-101



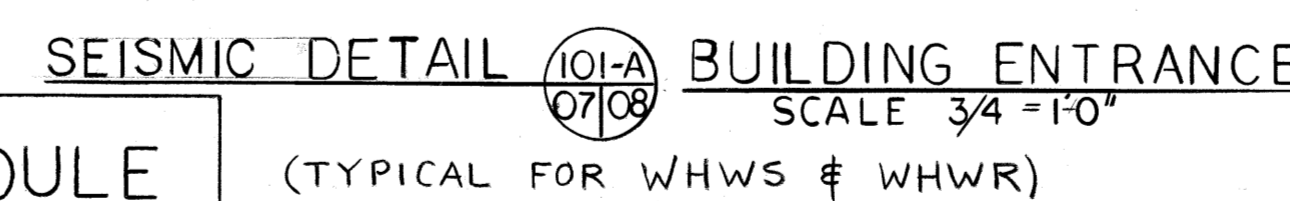
HOT WATER HEATING COILS													
COIL NO	LOCATION	MODEL NO	CFM PER COIL	MINIMUM FACE AREA	MAXIMUM SP IN WG	TEMP AIR °F		CIRCULATING WATER			CAPACITY BTUH PER COIL	NUMBER REQD.	
						ENT.	LVG.	TEMP IN °F	TEMP OUT °F	GPM			PD FT. WATER
AC-101-01	BSMT.	2W 24x66	6300	22.0	0.36	35	82	140	119	30.0	4.5	319,790	2
AC-101-02	BSMT.	2TT 18x24	1400	3.0	0.29	35	97	140	117	8.0	3.4	93,740	1
AC-101-03	BSMT.	1WC 24x48	5300	8.0	0.28	10	50	140	125	30.0	3.4	228,960	1
AC-101-04	BSMT.	2W 33x66	8000	30.2	0.31	10	70	140	115	41.0	5.7	518,400	2
AG-101-05	1ST FLR	2TT 12x24	1000	2.5	0.22	50	105	140	124	7.5	3.6	59,400	1
AC-101-06	1ST FLR	4W 12x12	500	1.0	0.57	50	122	140	135	15.0	3.9	38,880	1
AC-101-07	1ST FLR	2W 18x60	3800	7.5	0.28	50	94	140	124	22.0	3.8	180,580	1

- NOTES:**
- HEATING COIL NOMENCLATURE: AC-101-01
 EQUIPMENT CLASS IDENTIFICATION LETTERS: AC
 EQUIPMENT NUMBER IDENTIFICATION LETTERS: 101
 BUILDING NUMBER: 01
 - MODEL NUMBER BASED ON "TRANE" HOT WATER COILS.
 - MINIMUM TUBE VELOCITY 2 FPS.

CONTROL VALVE SCHEDULE						
VALVE NO.	EQUIPMENT NO.	TCV FLOW (GPM)	PRESSURE DROP FT. WG	INLET CALIB. VALVE FLOW (GPM)	BYPASS CALIB. VALVE FLOW (GPM)	BYPASS SIZE (IN)
TCV-101-01	AC-101-01	45	12.0	60	30	1 1/2
TCV-101-02	AC-101-02	6		8	4	3/4
TCV-101-03	AC-101-03	14.6		30	15	1
TCV-101-04	AC-101-04	61.7		82	41	2
TCV-101-05	AC-101-05	5.6		7.5	3.7	3/4
TCV-101-06	AC-101-06	11.3		15	7.5	1
TCV-101-07	AC-101-07	16.5		22	11	1

DRAIN RETURN PUMP SCHEDULE						
PUMP NO.	LOCATION DWG./COLUMN	TYPE	SIZE	GPM	HD (FT)	REMARKS
J-101-01	07/B-9	IN-LINE MOUNTED CENTRIFUGAL GOULD MODEL 3795T	2x3-6	150	115	

- PUMP NOMENCLATURE** J-101-01
 EQUIPMENT CLASS IDENTIFICATION LETTER: J
 EQUIPMENT NUMBER IDENTIFICATION LETTER: 101
 BUILDING NUMBER: 01



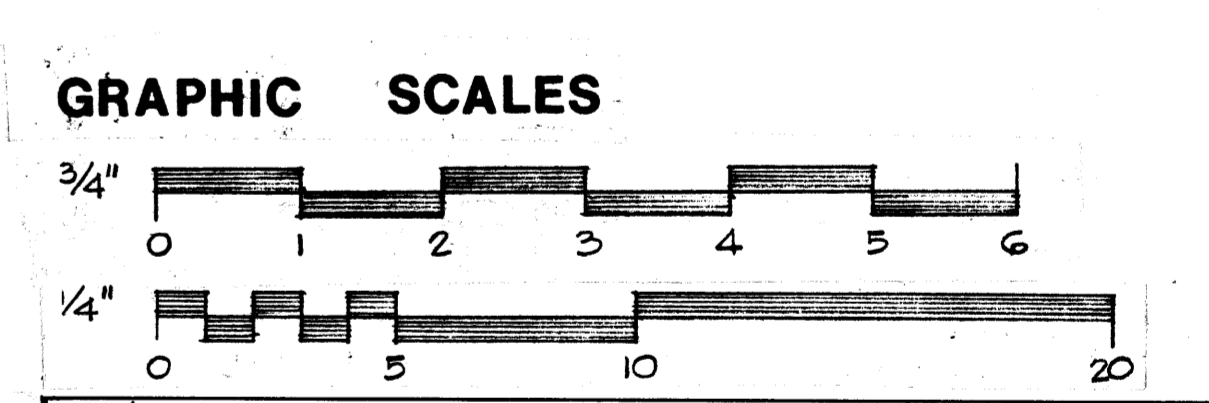
REVIEWED FOR CLASSIFICATION
 DBJ 06/13/2014
 INITIALS Date UNCLASSIFIED

REVIEWED FOR CLASSIFICATION
 WJ 1/26/95
 INITIALS Date UNCLASSIFIED

NO.	DATE	BY	REVISION
2			REVISED MAIN

PIPELINE IDENTIFICATION	SIZE	SERVICE	SPEC. NO. (MATERIAL)
8" WHWS-138			

FOR INFORMATION ONLY



REV. NO.	DATE	ISSUE PURPOSE	OPERATOR	DATE	APPROVAL
2	4-1-95	ADDED VALVE NO'S FOR LOCK-OUT/TAG-OUT			
1c	AS BUILT				
0	10/9/81	CERTIFIED FOR CONSTRUCTION			

UNITED STATES DEPARTMENT OF ENERGY

A. M. KINNEY, INC.
 CONSULTING ENGINEERS
 CINCINNATI, OHIO

HVAC BUILDING C-101
 SECTIONS, DETAILS & SCHEDULES

DATE: 2-16-79
 CHECKED: W.D. BRICKEEN 3-27-79
 DRAWING APPROVED: DATE: 3/27/79
 SCALE: 1/4" = 1'-0"

PROJECT: PROCESS WASTE HEAT UTILIZATION
 DRAWING NUMBER: H5E-14951-0008
 REV. NO.: 2

MICROFILMED