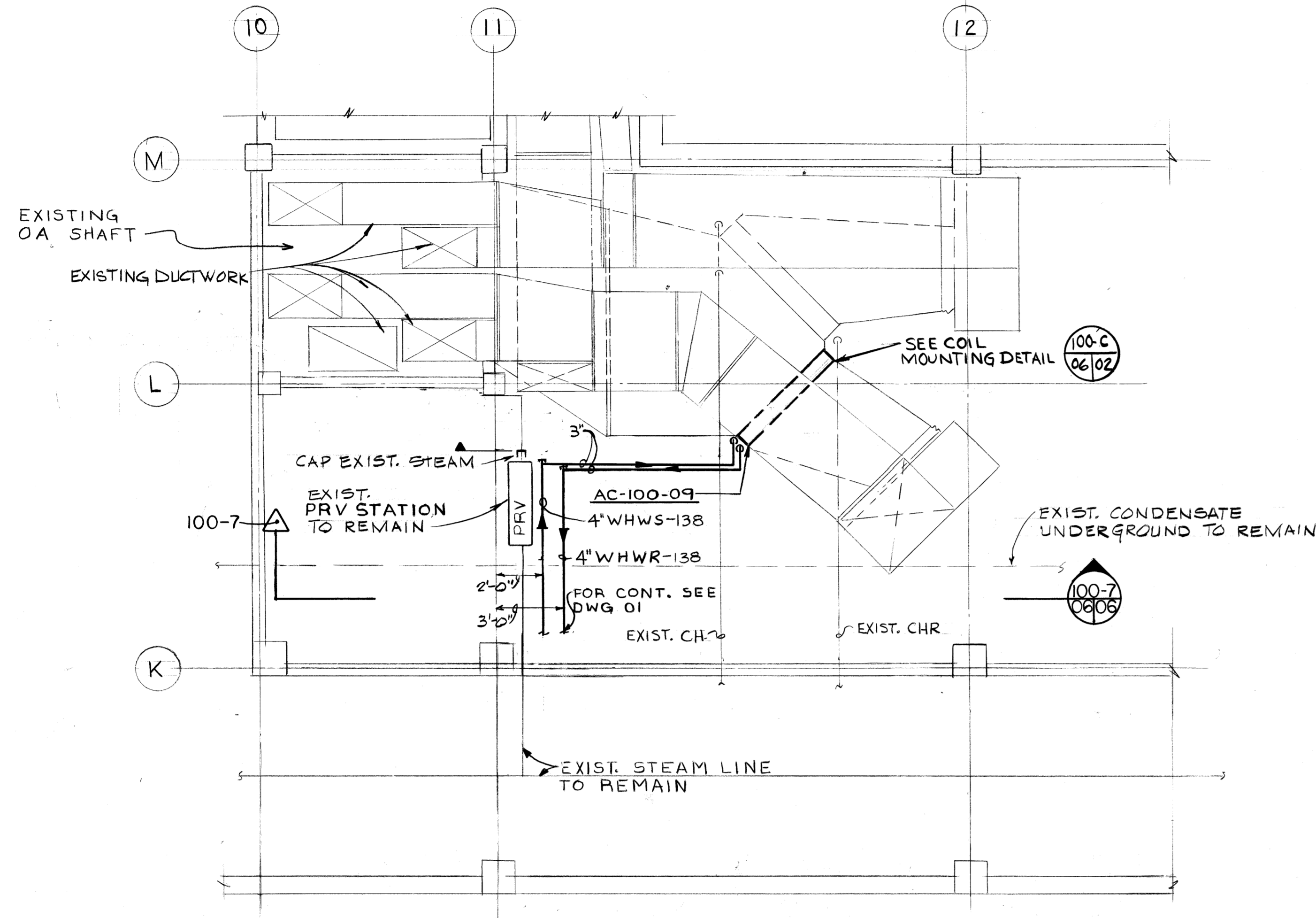


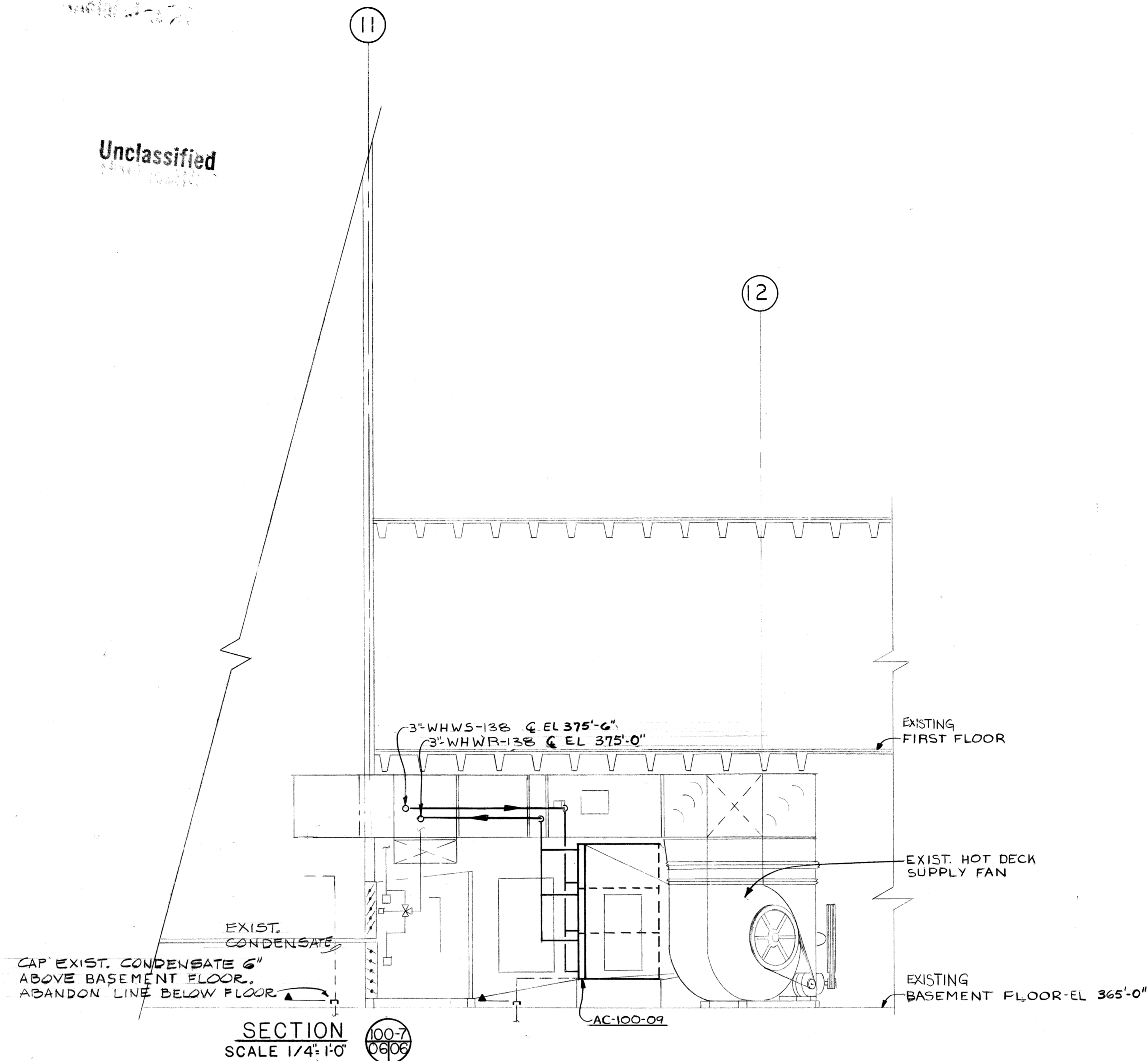
Unclassified

NOTES

- FOR GENERAL NOTES & LEGEND SEE DWG. 01
- REFER TO THIS DWG. FOR HOT WATER HEATING COIL & CONTROL VALVE SCHEDULES - BLDG C-100.
- REFER TO DWG. 03 FOR TYPICAL CONTROL DIAGRAM BLDG. C-100.
- REFERENCE DWG. B1-8-M JOB NO. 8768



CENTRAL EQUIPMENT ROOM PART PLAN
SCALE: 1/4"=1'-0"



SECTION
SCALE 1/4"=1'-0"

HOT WATER HEATING COILS

COIL(S) NO.	LOCATION EQ. ROOM	MODEL NO	CFM PER COIL	MAX. FACE AREA	MAXIMUM S.P. IN. WG	TEMP AIR °F		CIRCULATING WATER		CAPACITY BTUH PER COIL	NUMBER REQ'D.	REMARKS		
						ENT.	LVG.	TEMP IN °F	TEMP OUT °F				GPM PER COIL	P.D. FT. WATER
AC-100-01	N.W.	2W 24 x 48	5900	16.0	0.56	65	97	140	126	30.0	3.7	203,900	2	MAX. FACE AREA 8 #/COIL
AC-100-03	N.E.	4W 18 x 48	4120	12.0	0.72	65	108	140	123	22.5	4.5	191,330	2	MAX. FACE AREA 6 #/COIL
AC-100-05	S.W.	2W 24 x 60	6220	30.0	0.46	65	100	140	124	30	4.3	235,120	3	MAX. FACE AREA 10 #/COIL
AC-100-07	S.E.	4W 18 x 66	5460	24.60	0.70	65	108	140	117	22.5	5.4	253,560	3	MAX. FACE AREA 8.2 #/COIL
AC-100-09	CENTRAL	4W 24 x 60	8367	30.0	1.60	65	117	140	123	60	5.0	496,980	3	MAX. FACE AREA 10 #/COIL

- NOTES: (HOT WATER HEATING COIL SCHEDULE)
- HEATING COIL NOMENCLATURE: AC - 100 - 01
EQUIPMENT CLASS IDENTIFICATION LETTER EQUIPMENT NUMBER BUILDING NUMBER
 - MODEL NUMBER BASED ON "TRANE" HOT WATER COILS.
 - MINIMUM TUBE VELOCITY 2 FPS.

CONTROL VALVE SCHEDULE

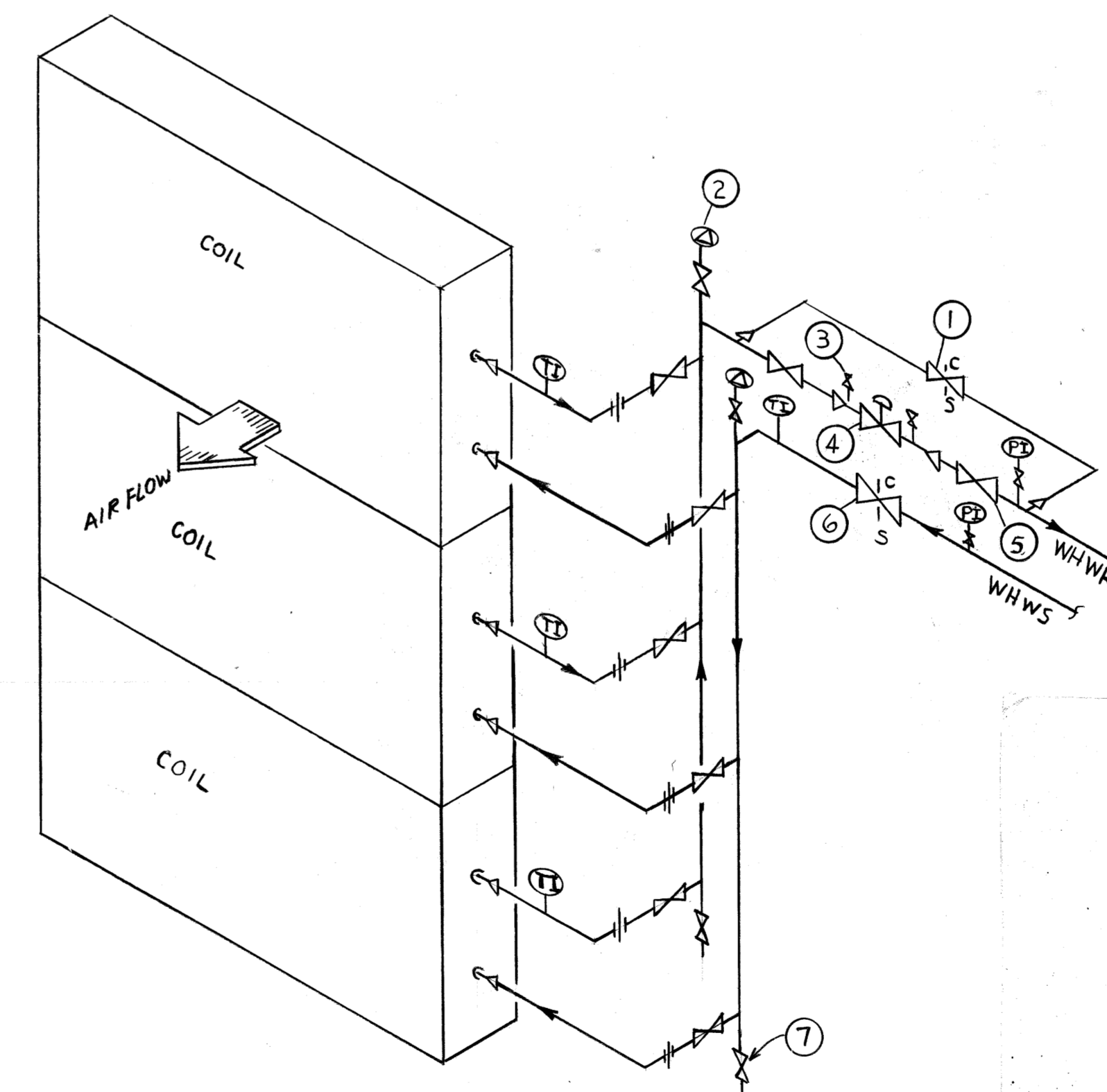
VALVE NO.	EQUIPMENT NO.	TCV FLOW (GPM)	PRESSURE DROP FT. WG.	INLET CALIB. VALVE FLOW (GPM)	BYPASS CALIB. VALVE FLOW (GPM)	BYPASS SIZE (IN.)
TCV-100-01	AC-100-01	45	12	60	30	1 1/2
TCV-100-03	AC-100-03	33.8	12	45	35	1 1/2
TCV-100-05	AC-100-05	67.4	12	90	55	2
TCV-100-07	AC-100-07	50.4	12	67.5	45	2
TCV-100-09	AC-100-09	135	12	180	110	2 1/2

DRAIN RETURN PUMP SCHEDULE

PUMP NO.	LOCATION DWG/COLUMN	TYPE	SIZE	GPM	HD (FT)	REMARKS
J-100-01	01/J-16	IN-LINE MOUNTED CENTRIFUGAL GOULD MODEL 3996ST	1 1/2 x 2-6	50	115	

- ① PUMP NOMENCLATURE: J - 100 - 01
EQUIPMENT CLASS IDENTIFICATION LETTER EQUIPMENT NUMBER BUILDING NUMBER

REVIEWED FOR CLASSIFICATION
TWP 08/13/2014
Initials Date
UNCLASSIFIED

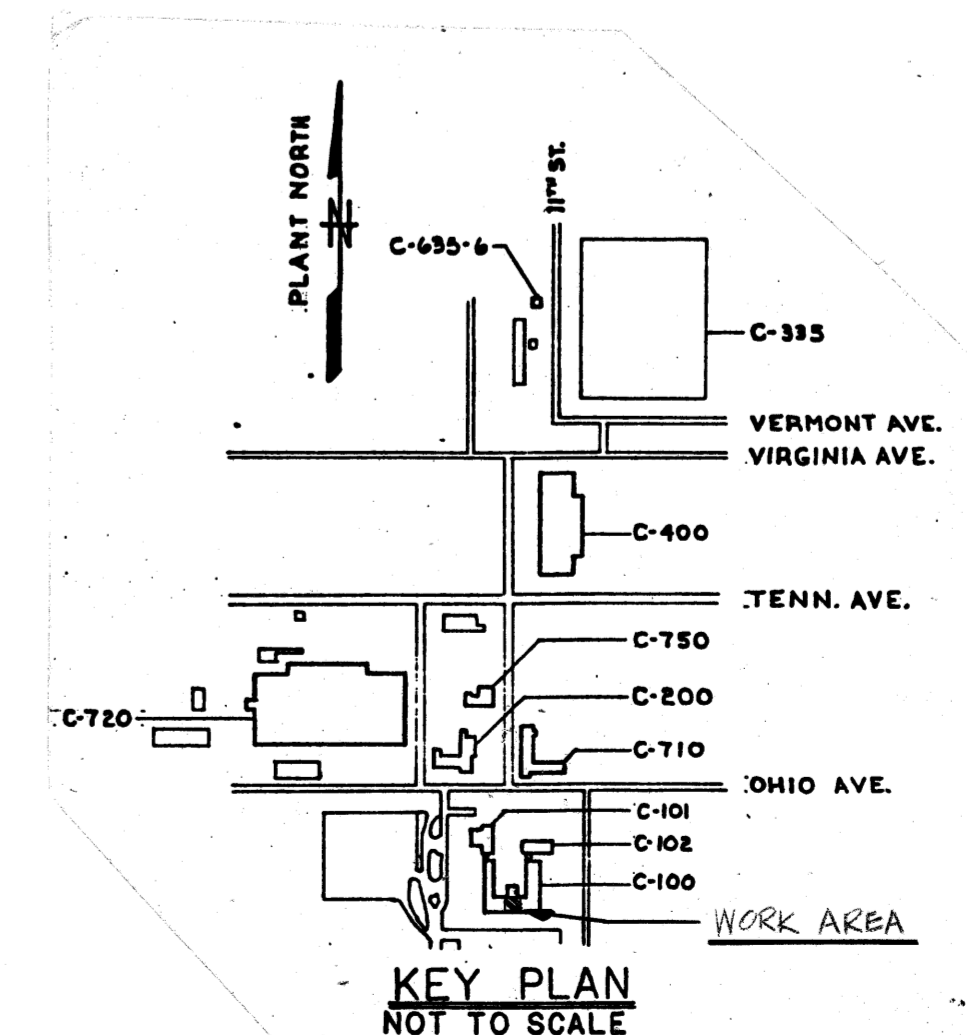


TYPICAL COIL CONNECTION
NO SCALE
(SHOWN FOR THREE COILS - SIMILAR FOR ONE OR TWO COILS)

- NOTES: (APPLIES TO COIL CONNECTION DIAGRAM)
- BY-PASS CALIBRATED BALANCING VALVE WITH MEMORY STOP
 - AIR VENT
 - GAUGE CONNECTION
 - TWO WAY TEMPERATURE CONTROL VALVE
 - GATE VALVE
 - INLET CALIBRATED BALANCING VALVE WITH MEMORY STOP
 - DRAIN

FOR INFORMATION ONLY

GRAPHIC SCALES



BT Images, Inc.
00021574

12 AS BUILT		DATE	10/21/11
0 CERTIFIED FOR CONSTRUCTION		DATE	10/21/11
ISSUE PURPOSE (PP 50-6279)		DATE	3-27-79
INITIALS & DATE		DATE	3-27-79
APPROVAL		DATE	3-27-79
UNITED STATES DEPARTMENT OF ENERGY A. M. KINNEY, INC. CONSULTING ENGINEERS CINCINNATI, OHIO H V A C BUILDING C-100 CENTRAL EQ. ROOM PART PLAN & SCHEDULES			
DOE CONTRACT NO. EW-78-05-5886	APPROVAL RECOMMENDED - DATE 2-16-79	DATE 5-17-78	DATE 2-16-79
ARCHITECT-ENGINEER DRAWN C.C.H./C.R.J.	PLANT DATE 5-17-78	CHECKED DATE 5-17-78	DATE 2-16-79
OPERATOR DATE 5-17-78	DATE 2-16-79	DATE 2-16-79	DATE 2-16-79
PROJECT PROCESS WASTE HEAT UTILIZATION	DRAWING NUMBER H5E-14951-0006	SCALE 1/4" = 1'-0"	REV. NO. 1c

MICROFILMED