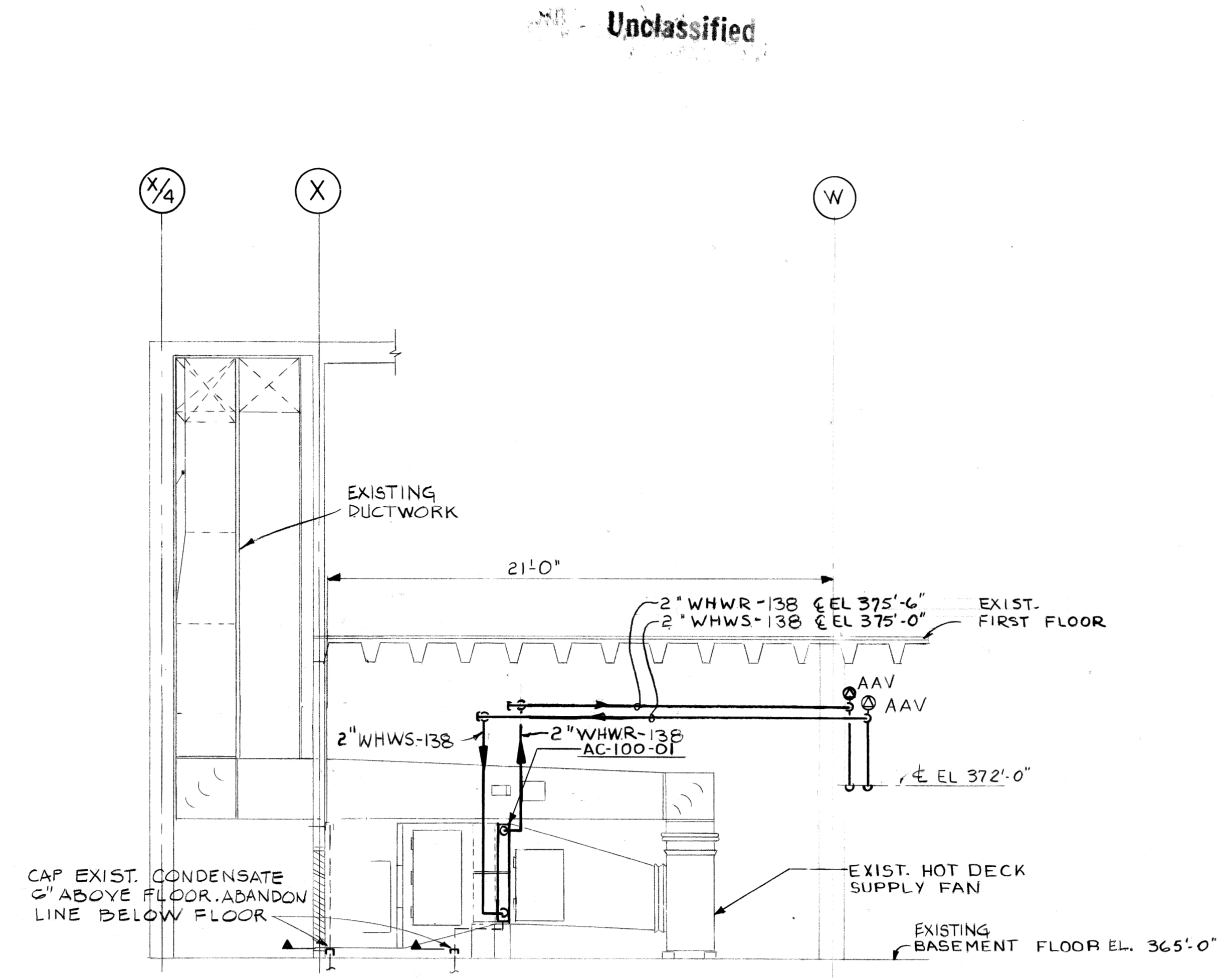
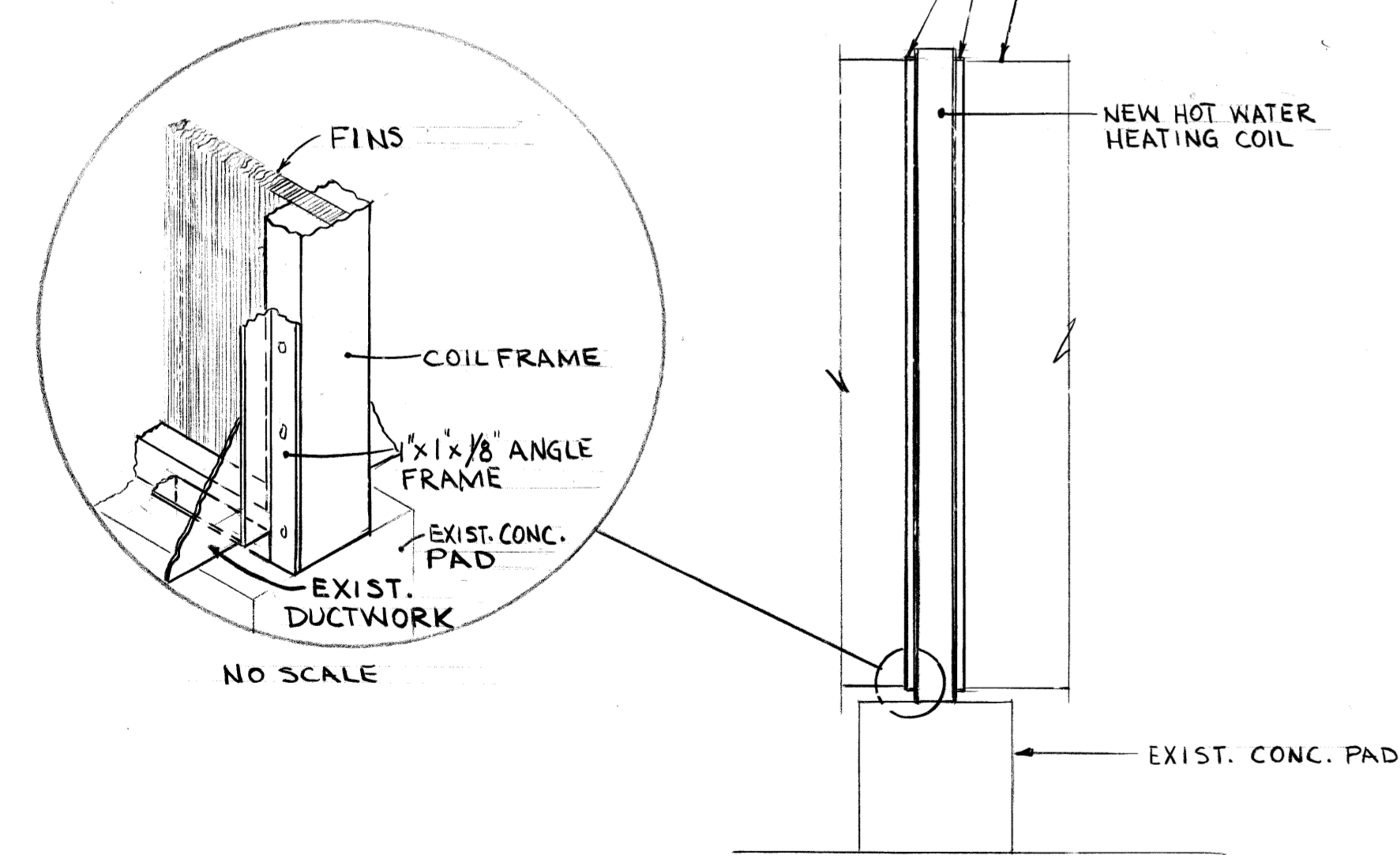


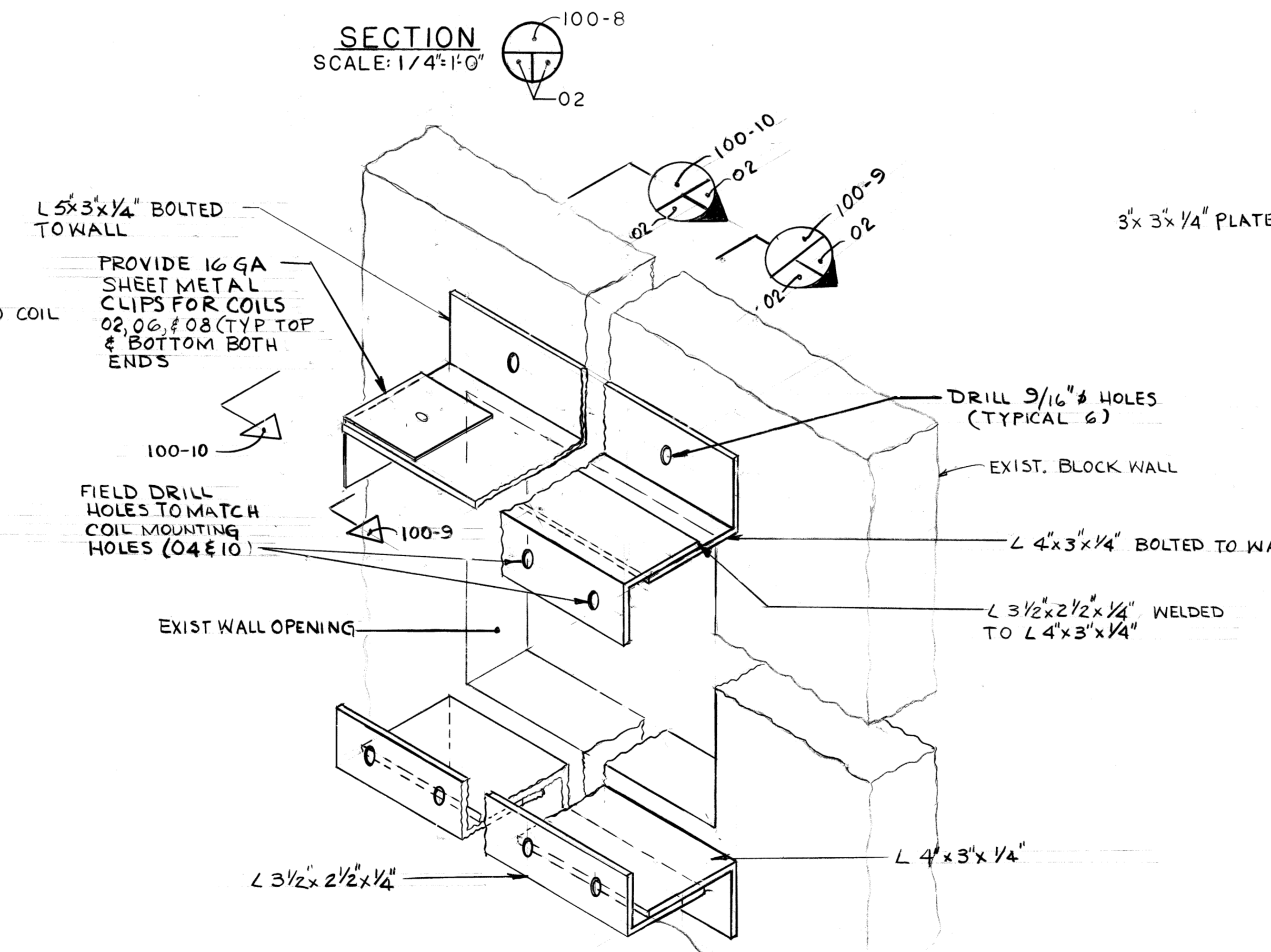
NORTHWEST EQUIPMENT ROOM-PLAN
SCALE: 1/4"=1'-0"
(REFERENCE DWG. B1-5-M JOB No. 8762)



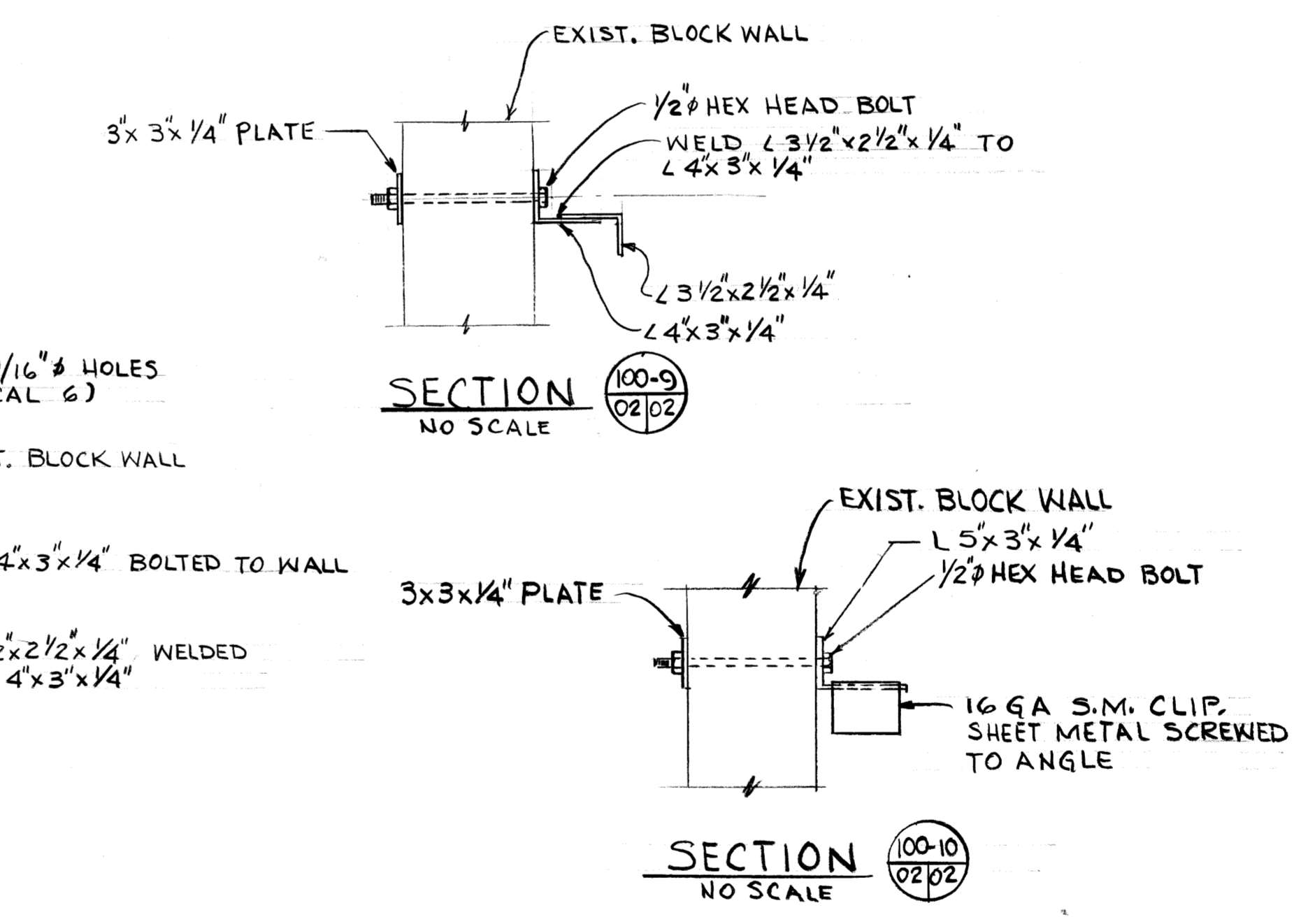
SECTION
SCALE: 1/4"=1'-0"



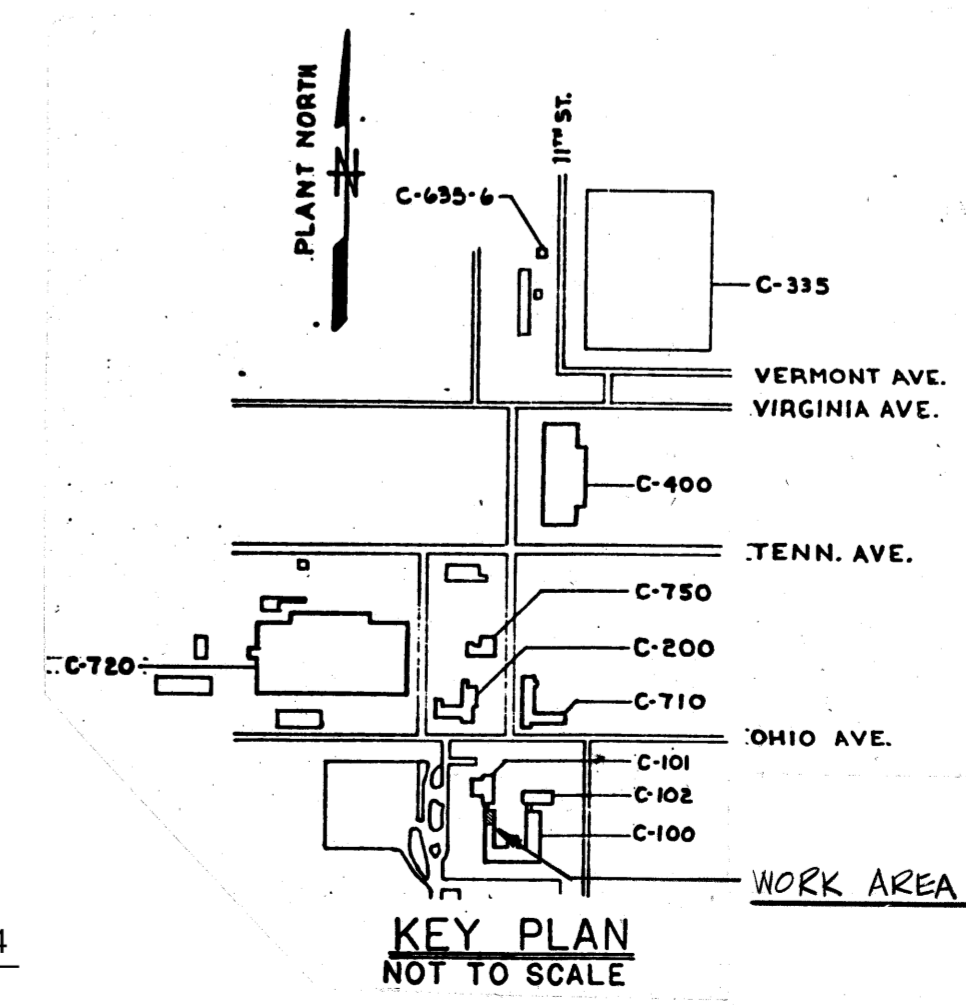
TYPICAL COIL MOUNTING DETAIL
SCALE: 1"=1'-0"
APPLICABLE FOR THE FOLLOWING COILS:
AC-100-01
AC-100-03
AC-100-05
AC-100-07
AC-100-09



TYPICAL MOUNTING FOR NEW HOT WATER TEMPERING COIL-DETAIL
NO SCALE
APPLICABLE FOR THE FOLLOWING COILS:
AC-100-02
AC-100-04
AC-100-06
AC-100-08
AC-100-10

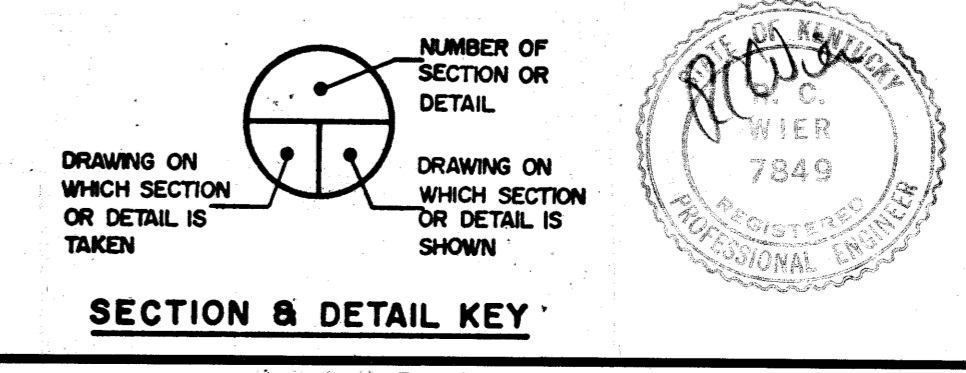


SECTION
NO SCALE



REVIEWED FOR CLASSIFICATION
DBJ 06/13/2014
Initials Date
UNCLASSIFIED

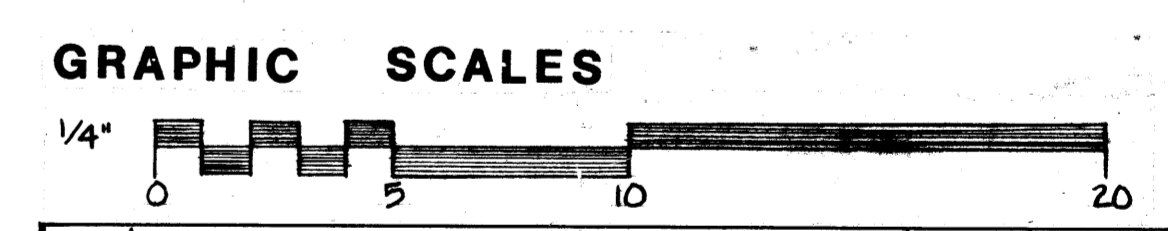
PIPELINE IDENTIFICATION
8" WHWS-138
SIZE SERVICE SPEC. NO. (MATERIAL)



- NOTES**
- FOR GENERAL NOTES & LEGEND SEE DWG. 01.
 - REFER TO DWG. 06 FOR HOT WATER HEATING COIL & CONTROL VALVE SCHEDULES-BLDG. C-100
 - REFER TO ARCHITECTURAL DWGS. FOR WALL PENETRATION DETAILS.
 - REFER TO DWG. 03 FOR TYPICAL CONTROL DIAGRAM - BLDG. C-100.

BT Images, Inc.
00021570

FOR INFORMATION ONLY



REV. NO.	DATE	BY	DESCRIPTION
0	AS BUILT		
0	CERTIFIED FOR CONSTRUCTION		

UNITED STATES DEPARTMENT OF ENERGY			
A. M. KINNEY, INC. CONSULTING ENGINEERS CINCINNATI, OHIO			
HVAC BUILDING C-100 NORTHWEST EQUIPMENT ROOM PLAN			
DATE	CHECKED	DATE	SCALE
2/16/79	W.D. BRICKEEN	3/27/79	1/4"=1'-0"
DATE	OPERATOR	DATE	SCALE
2/16/79	DM	2/16/79	1/4"=1'-0"
PROJECT	DRAWING NUMBER	REV. NO.	
PROCESS WASTE HEAT UTILIZATION	H5E-14951-0002	IC	

MICROFILMED