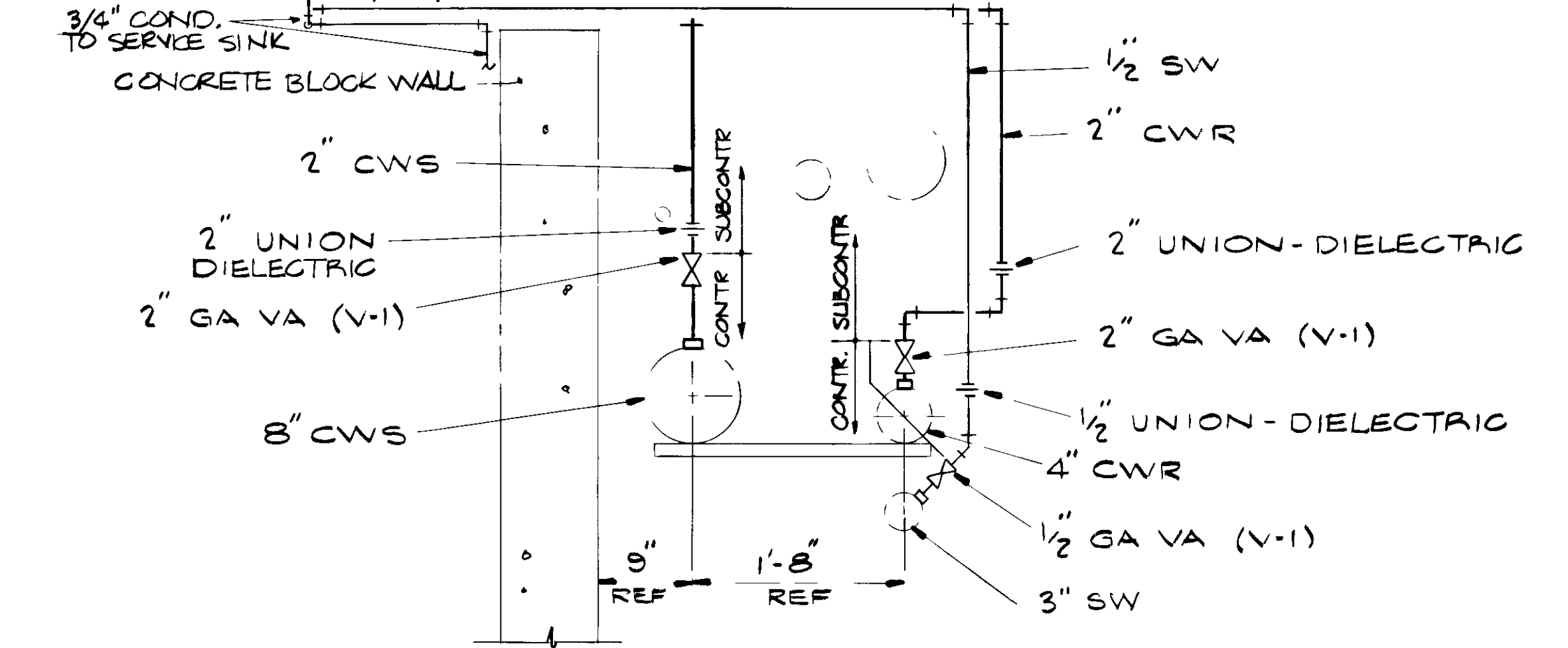
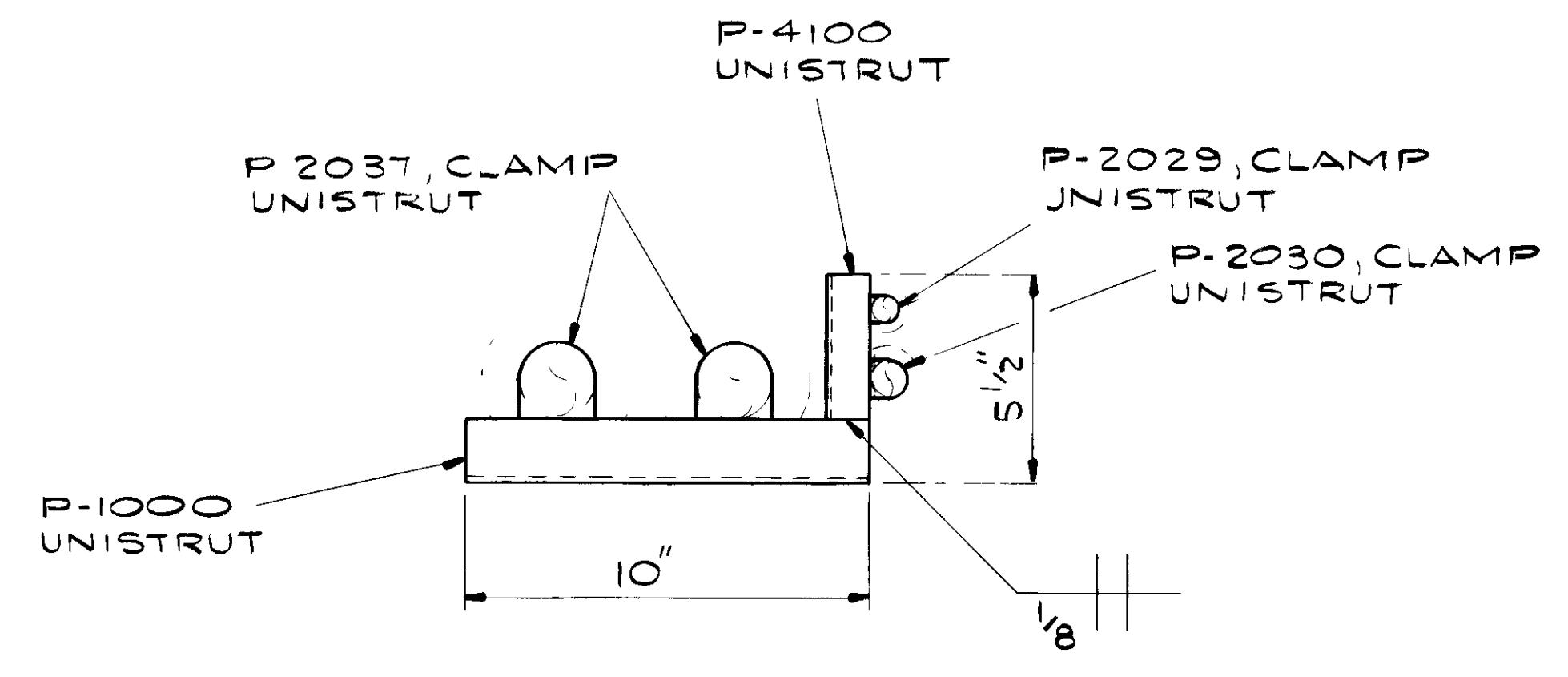
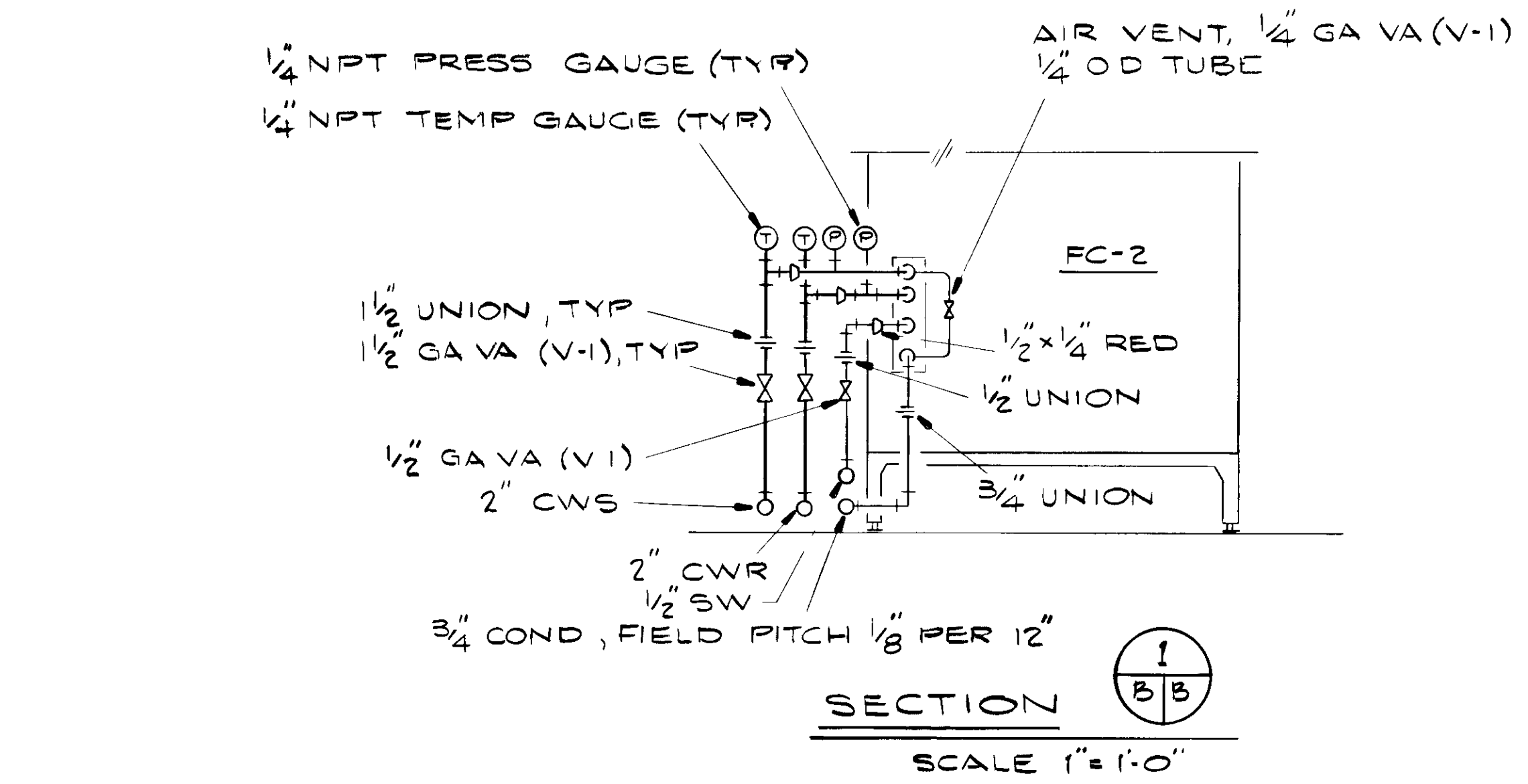


PIPING PLAN
SCALE 1/2" = 1'-0"

PIPE SUPPORT
SCALE 1/4" = 1"



REVIEWED FOR CLASSIFICATION
JBF 05/13/2014
UNCLASSIFIED

REVIEWED FOR CLASSIFICATION
JBF 05/13/2014
UNCLASSIFIED

BT Images, Inc
00043040

NO REPRESENTATION OR WARRANTY, EXPRESSED OR IMPLIED, IS MADE THAT THE USE OR DISCLOSURE OF ANY INFORMATION, APPARATUS, METHOD OR PROCESS DISCLOSED IN THESE DRAWINGS MAY NOT INFRINGE PRIVATE RIGHTS OF OTHERS. NO LIABILITY IS ASSUMED WITH RESPECT TO THE USE OF OR FOR DAMAGES RESULTING FROM THE USE OF ANY INFORMATION, APPARATUS, METHOD OR PROCESS DISCLOSED IN THESE DRAWINGS. THE DRAWINGS ARE BEING MADE AVAILABLE FOR INFORMATION TO BIDDER AND ARE NOT TO BE USED FOR OTHER PURPOSES AND ARE TO BE RETURNED UPON REQUEST OF THE FORWARDING CONTRACTOR.

SECTION & DETAIL LEGEND

SECTION NUMBER OR DETAIL LETTER	SHEET WHERE DETAIL OR SECTION IS SHOWN
1/B/B	SECTION 1/B/B
2/B/B	SECTION 2/B/B

DATE	BY	CHK	RED	SECT	DEPT	DATE	PE	REQ	DATE	MMES	DATE	DOE	DATE	OE	CA	EC	EE	MD	JE	MA	OP	SE	CE	
1/26/86	WJE																							

DESIGNER	DATE	SCALE	PLANT	BLDG	FL	SHT	OF	CLASS
MW IHREN	1/85	AS NOTED	16113	MSE	16113	B	0	U

M.M.S. COMPUTER FACILITIES
PIPING PLAN & DETAILS

MMS COMP FAC PIPING PLAN

SCALE AS NOTED 16113 MSE 16113 B

DATE AS NOTED

CLASS U

REV 0

TYPE P

DATE 1/26/86

BY WJE

CHK

RED

SECT

DEPT

DATE

PE

REQ

DATE

MMES

DATE

DOE

DATE

OE

CA

EC

EE

MD

JE

MA

OP

SE

CE