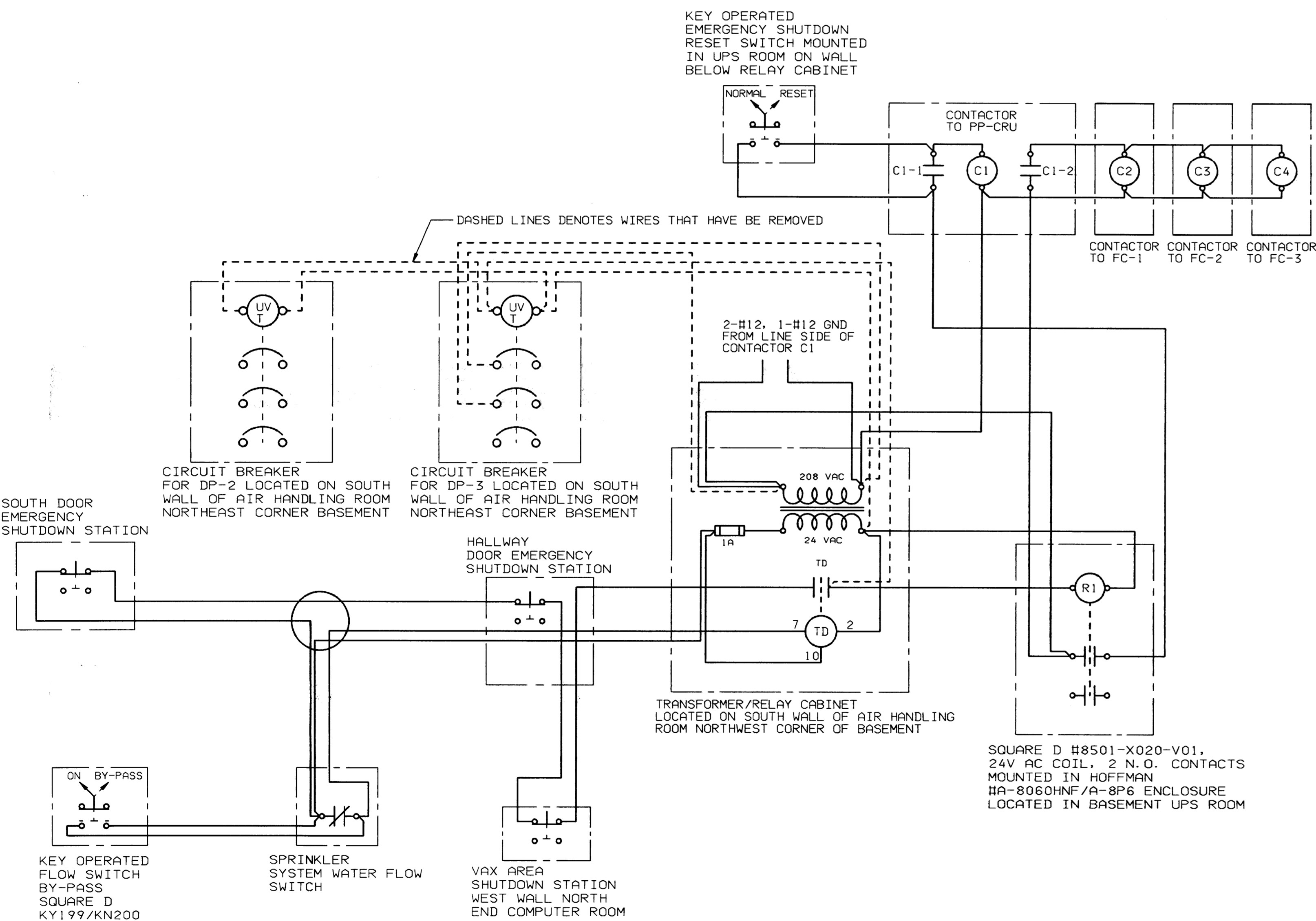
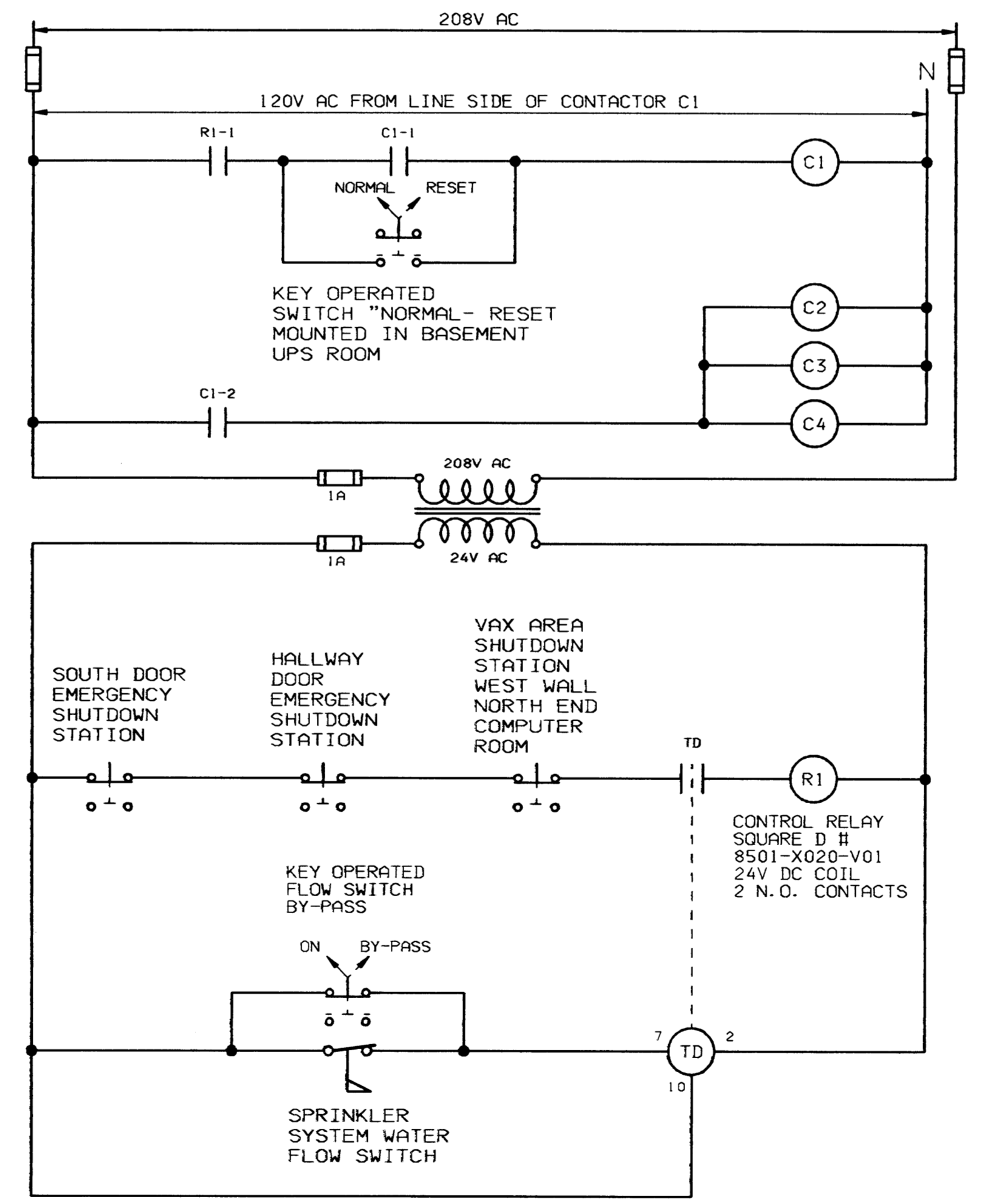


EQUIPMENT LOCATION PLAN

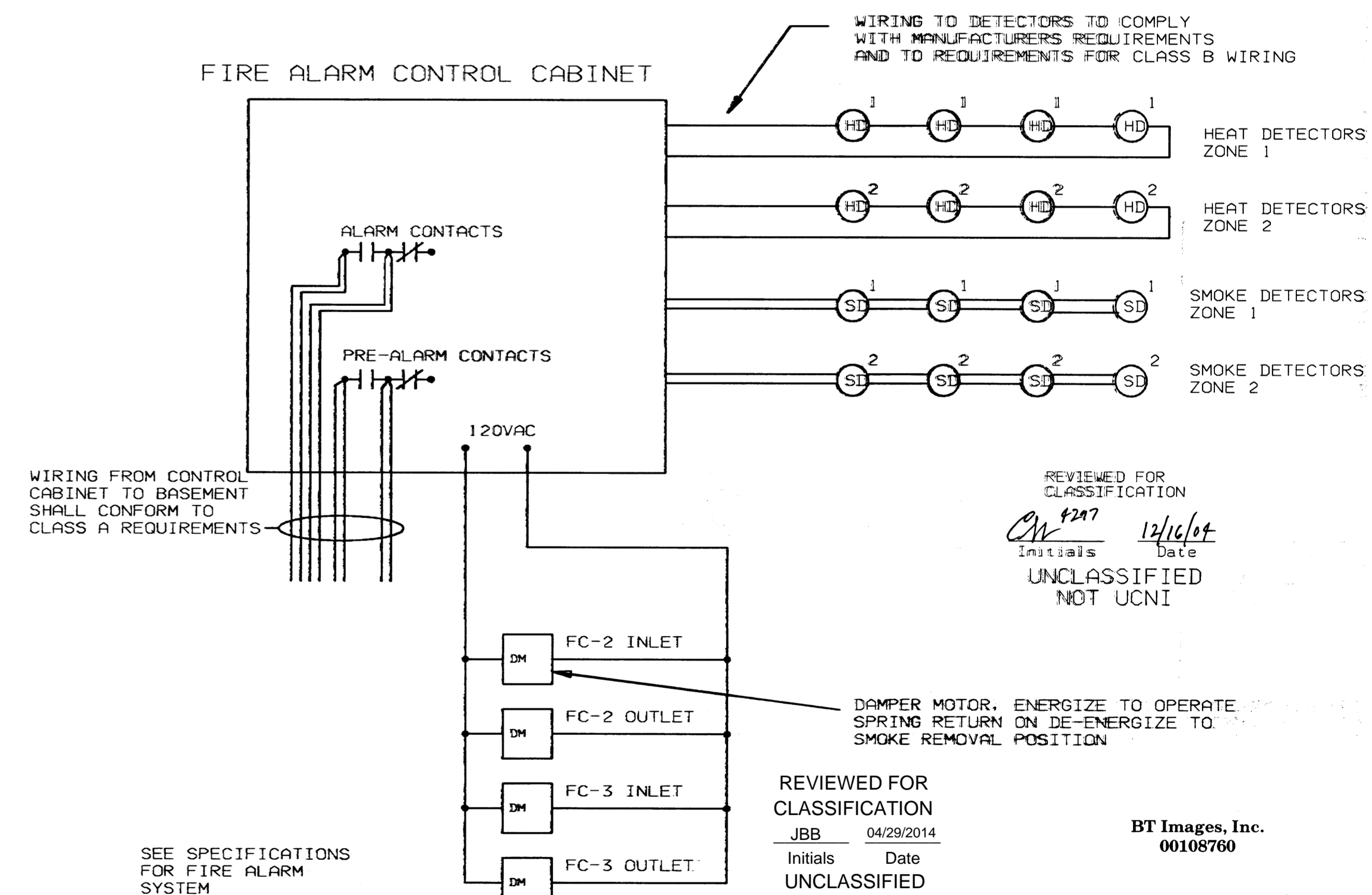
SCALE: 3/8" = 1' - 0"



EMERGENCY SHUTDOWN WIRING DIAGRAM



EMERGENCY SHUTDOWN SCHEMATIC DIAGRAM



FIRE ALARM SYSTEM DIAGRAM

Unclassified
MUST BE FIELD VERIFIED BEFORE USE

THIS DRAWING PRODUCED ON CADAM
DO NOT REVISE MANUALLY

NOTE:
RV IS A SPDT CONTACT RELAY ENCLOSED, PANEL MOUNT, WITH 5 AMP 120VAC CONTACTS SIMILAR TO POTTER-BRUMFIELD TYPE KUP
TD IS A TIME DELAY ON RELEASE RELAY, ADJUSTABLE FROM 5 - 50 SEC. WITH ONE SPDT CONTACT RATED 5 AMPS AT 120VAC. RELAY SHALL BE POTTER-BRUMFIELD TYPE CG SERIES OR APPROVED EQUAL.

"NO REPRESENTATION OR WARRANTY, EXPRESSED OR IMPLIED, IS MADE THAT THE USE OR DISCLOSURE OF ANY INFORMATION, APPARATUS, METHOD OR PROCESS DISCLOSED IN THESE DRAWINGS MAY NOT INFRINGE PRIVATE RIGHTS OF OTHERS. NO LIABILITY IS ASSUMED WITH RESPECT TO THE USE OF, OR FOR DAMAGES RESULTING FROM THE USE OF, ANY INFORMATION, APPARATUS, METHOD OR PROCESS DISCLOSED IN THESE DRAWINGS. THE DRAWINGS ARE BEING MADE AVAILABLE FOR INFORMATION TO BIDDER AND ARE NOT TO BE USED FOR OTHER PURPOSES, AND ARE TO BE RETURNED UPON REQUEST OF THE FORWARDING CONTRACTOR."

SECTION & DETAIL LEGEND

SECTION NUMBER OR DETAIL LETTER	SECTION NUMBER OR DETAIL LETTER
1	2
3	4

NO.	DESCRIPTION	BY	CHK	REV	DATE	REV	DATE	REV	DATE	REV	DATE	REV	DATE	REV	DATE	REV	DATE	REV	DATE
1	MODIFICATION COMPLETE FOR ESO Z45350 INCORPORATED ALL CHANGES																		
0	CERTIFIED FOR CONSTRUCTION - FPSC #8147																		
A	90% REVIEW																		

TOLERANCES	DES
UNLESS OTHERWISE SPECIFIED	DRW
FRACTIONS	CMK
XX DECIMALS	SECT
XXX DECIMALS	DEPT & PLANT
ANGLES	DIVISION
BREAK SHARP EDGES	REQUESTER
FINISH	FIRE/SECURITY
	SAFETY
	IND. HYGIENE

MARTIN MARIETTA ENERGY SYSTEMS, INC.	
M.M.S. COMPUTER FACILITIES PHASE I & II EQUIP. LAYOUT & WIRING DIA PRIORITY 3	
3	EFL PGDP c-100 I
16113	ESE-16113 E