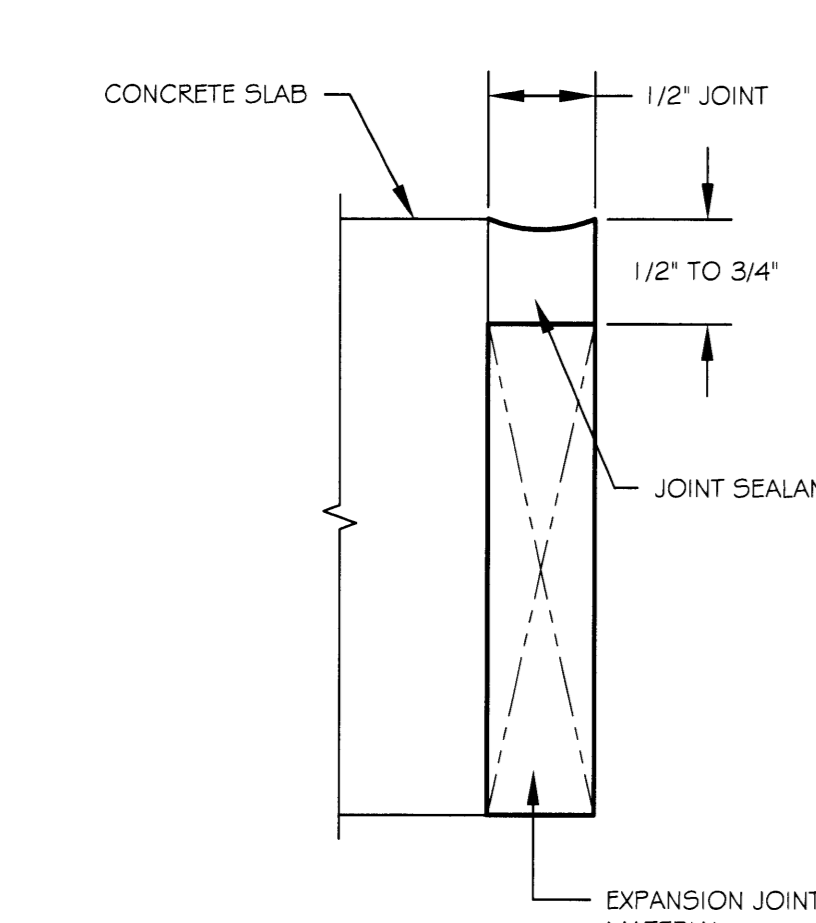


DETAIL SCALE: 1/4" = 1'-0" 55E-ZB1350-A01 55E-ZB1350-A01



DETAIL SCALE: NONE 55E-ZB1350-A01 55E-ZB1350-A01

- NOTES:
1. EPOXY ANCHORING SYSTEM SHALL BE HILTI HY HIT 150 (OR APPROVED EQUIVALENT) INSTALLED IN ACCORDANCE WITH THE MANUFACTURER'S INSTRUCTIONS.
  2. ALL EXPOSED CONCRETE SURFACES SHALL RECEIVE A RUBBED FINISH.
  3. ALL HONEYCOMBED AREAS SHALL BE FILLED WITH GROUT.
  4. PROVIDE WIND, HEAT, AND EVAPORATION PROTECTION DURING PLACEMENT AND CURING DURING HOT WEATHER PLACEMENT CONDITIONS. SEE ACI 306.1.
  5. PROVIDE WIND, FREEZING, AND EVAPORATION PROTECTION DURING PLACEMENT AND CURING DURING COLD WEATHER PLACEMENT CONDITIONS. SEE ACI 306.1.
  6. ALL CONCRETE SHALL HAVE MINIMUM  $f_c = 3000$  PSI AT 7 DAYS.
  7. PLACE CONCRETE THE SAME DAY EXCAVATIONS ARE OPENED. IF THIS IS NOT POSSIBLE, ADEQUATELY PROTECT THE EXPOSED MATERIAL IN THE BASES OF THE FOOTING EXCAVATIONS FROM ANY DETRIMENTAL CHANGE IN CONDITION SUCH AS DISTURBANCE FROM RAIN OR FREEZING. PREVENT SURFACE RUNOFF FROM ENTERING THE EXCAVATIONS.
  8. THE INSTALLER HAS SOLE RESPONSIBILITY FOR TEMPORARY SHORING, BENCHING OR OTHER METHODS REQUIRED TO FACILITATE THE INSTALLATION OF THE NEW FOUNDATION.
  9. LET CONCRETE CURE A MINIMUM OF SEVEN DAYS BEFORE INSTALLING EQUIPMENT.

REVIEWED FOR CLASSIFICATION  
DBJ 07/21/2014  
Initials Date  
UNCLASSIFIED

Image # 114753

SECTION AND DETAIL KEY		TOLERANCES UNLESS OTHERWISE SPECIFIED		REVISION OR ISSUE APPROVALS										DRAWING APPROVALS		SCALE		PLANT		BLDG		FL		CLASS	
SECTION NUMBER OR DETAIL LETTER	DRAWING ON WHICH SECTION OR DETAIL IS TAKEN	FRACTIONS	XX DECIMALS	DATE	DRW	CHKR	RE	TR	APPD	DATE	DATE	DATE	DATE	DATE	DATE	DATE	DATE	DATE	DATE	DATE	DATE	DATE			
A2	CERTIFIED FOR CONSTRUCTION FOR ESO ZB1350 FOR ECN-2009-0012			9/18/09	LGA	BCG	BCG	X	TAW/PLP																
A1	CERTIFIED FOR CONSTRUCTION FOR ESO ZB1350			9/18/09	LGA	BCG	BCG	X	TAW/PLP																
SECTION AND DETAIL KEY		TOLERANCES UNLESS OTHERWISE SPECIFIED		REVISION OR ISSUE APPROVALS										DRAWING APPROVALS		SCALE		PLANT		BLDG		FL		CLASS	
NO REPRESENTATION OR WARRANTY, EXPRESSED OR IMPLIED, IS MADE THAT THE USE OR DISCLOSURE OF ANY INFORMATION, APPARATUS, METHOD OR PROCESS DISCLOSED IN THESE DRAWINGS MAY NOT INFRINGE PRIVATE RIGHTS OF OTHERS. NO LIABILITY IS ASSUMED WITH RESPECT TO THE USE OF OR FOR DAMAGES RESULTING FROM THE USE OF ANY INFORMATION, APPARATUS, METHOD OR PROCESS DISCLOSED IN THESE DRAWINGS. THE DRAWINGS ARE BEING MADE FOR INFORMATION TO BIDDER AND ARE NOT TO BE USED FOR OTHER PURPOSES, AND ARE TO BE RETURNED UPON REQUEST OF THE FORWARDING CONTRACTOR.																									

THIS DRAWING PRODUCED ON AUTOCAD  
DO NOT REVISE MANUALLY

U.S. ENRICHMENT CORPORATION  
P.O. BOX 1410  
PADUCAH, KENTUCKY 42002-1410

BACKUP HVAC SYSTEM FOR C-100 COMPUTER ROOM  
CONCRETE PAD PLAN, SECTIONS & DETAILS

PRIORITY 3

SCALE: AS NOTED  
PLANT: PGDP  
BLDG: C-100  
FL: 1  
CLASS: U

REV A2