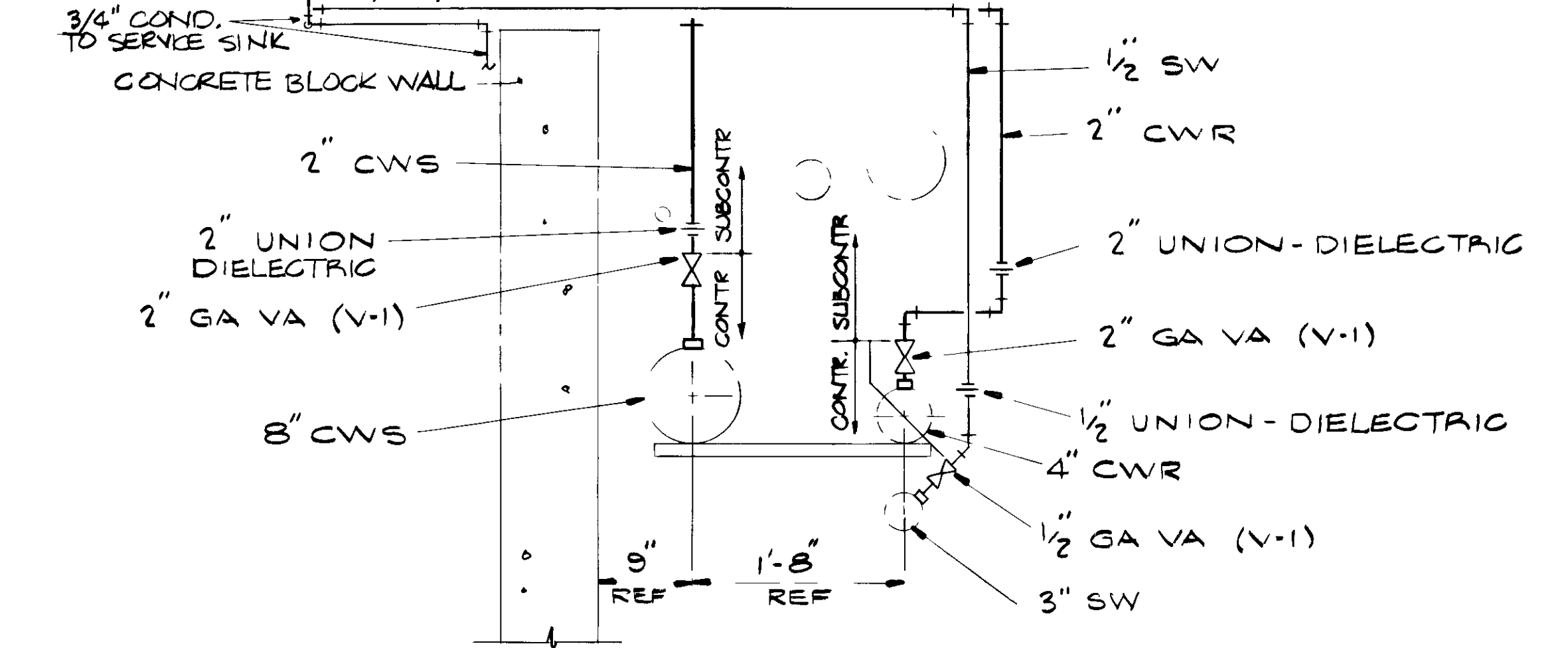
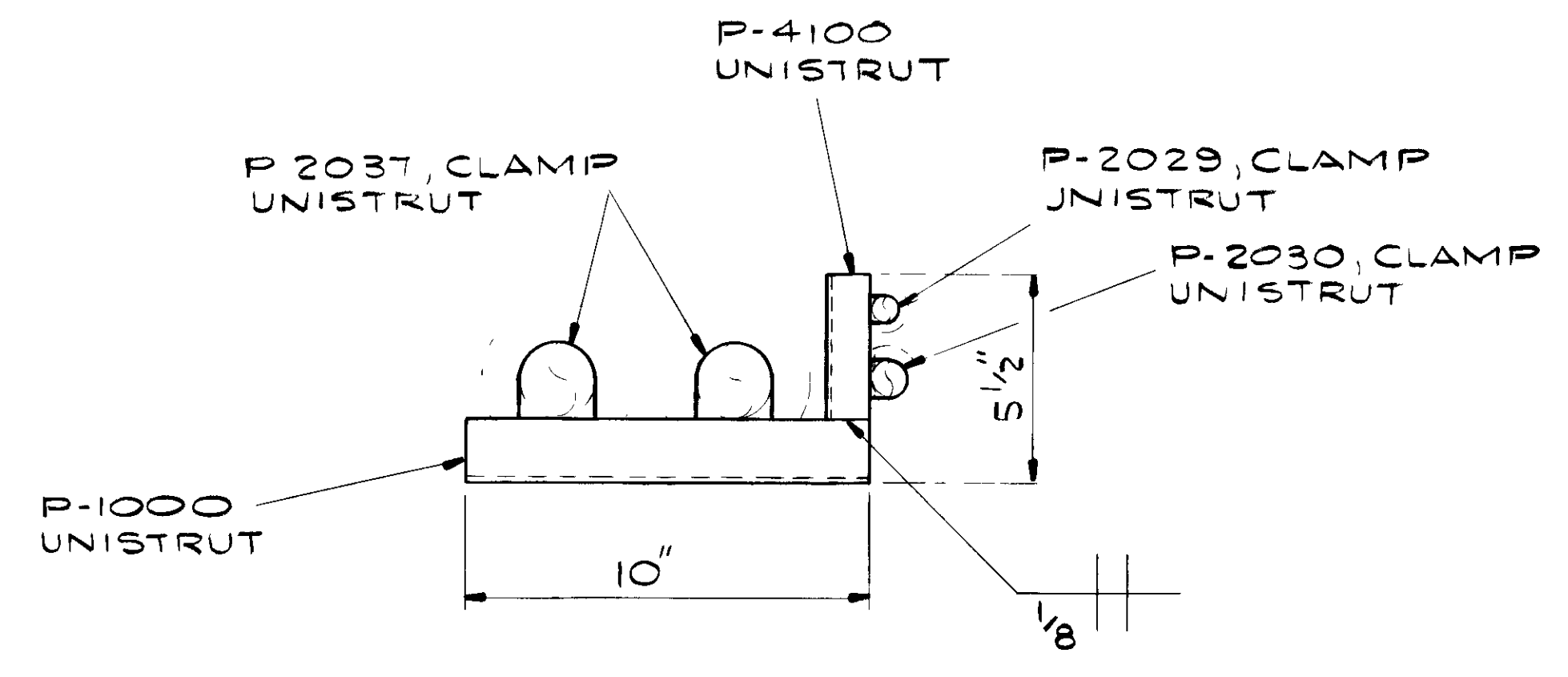
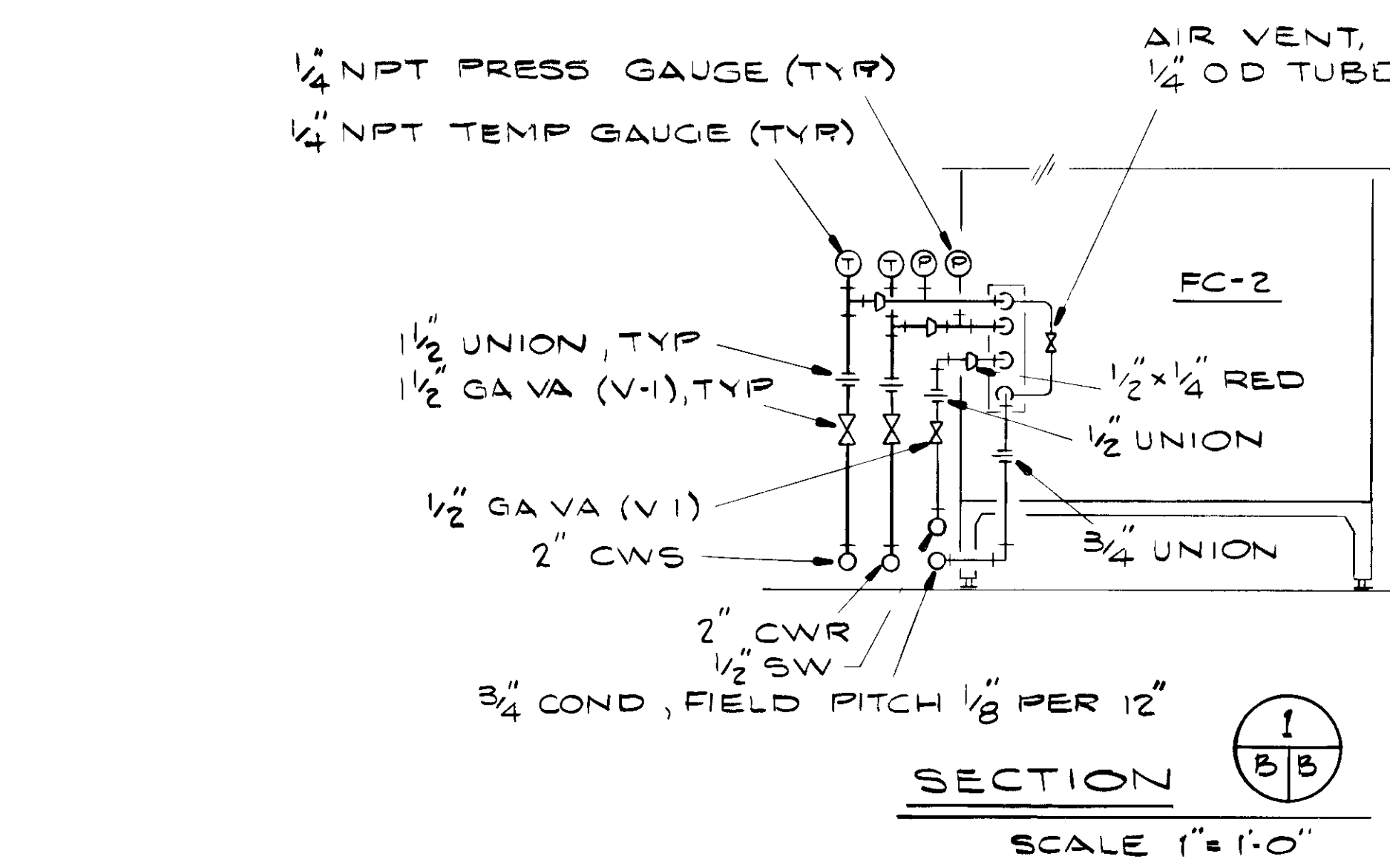


PIPING PLAN
SCALE 1/2" = 1'-0"

PIPE SUPPORT
SCALE 1/4" = 1"



REVIEWED FOR CLASSIFICATION
JBF 05/13/2014
UNCLASSIFIED

REVIEWED FOR CLASSIFICATION
JBF 05/13/2014
UNCLASSIFIED

SECTION 2/B/B
SCALE 1" = 1'-0"

NO REPRESENTATION OR WARRANTY, EXPRESSED OR IMPLIED, IS MADE THAT THE USE OR DISCLOSURE OF ANY INFORMATION, APPARATUS, METHOD OR PROCESS DISCLOSED IN THESE DRAWINGS MAY NOT INFRINGE PRIVATE RIGHTS OF OTHERS. NO LIABILITY IS ASSUMED WITH RESPECT TO THE USE OF OR FOR DAMAGES RESULTING FROM THE USE OF ANY INFORMATION, APPARATUS, METHOD OR PROCESS DISCLOSED IN THESE DRAWINGS. THE DRAWINGS ARE BEING MADE AVAILABLE FOR INFORMATION TO BIDDER AND ARE NOT TO BE USED FOR OTHER PURPOSES AND ARE TO BE RETURNED UPON REQUEST OF THE FORWARDING CONTRACTOR.

SECTION & DETAIL LEGEND

SECTION NUMBER OR DETAIL LETTER	SHEET WHERE DETAIL OR SECTION IS CUT	SHEET WHERE DETAIL OR SECTION IS SHOWN
1/B/B	SECTION 1/B/B	SECTION 1/B/B

DATE	BY	DESCRIPTION	DATE	BY	DESCRIPTION	DATE	BY	DESCRIPTION
12/26/86	WJE	FOR APPROVAL - TITLE II - CFC FPSC # 8147						

DESIGNER	M W IHREN	1/85
DRAWN	C CUMMINGS	2/85
CHECKED	W D BARKER	3-85
SECTION	W D BARKER	3-85
DEPT & PLANT	DG Corp	3-85
DIVISION	JGA	3/85
REQUESTER	JGA	3/85
FIRE / SECURITY	JW/CV	3/85
SAFETY	NMM	3/85
IND HYGIENE	CNT	3/85
MAINTENANCE	CHK	3/85

MMS COMP FAC PIPING PLAN

SCALE AS NOTED 16113 MSE 16113 B

MMS COMP FAC PIPING PLAN	TYPE P
PIPING PLAN & DETAILS	CLASS U
	REV 0

BT Images, Inc 00043040