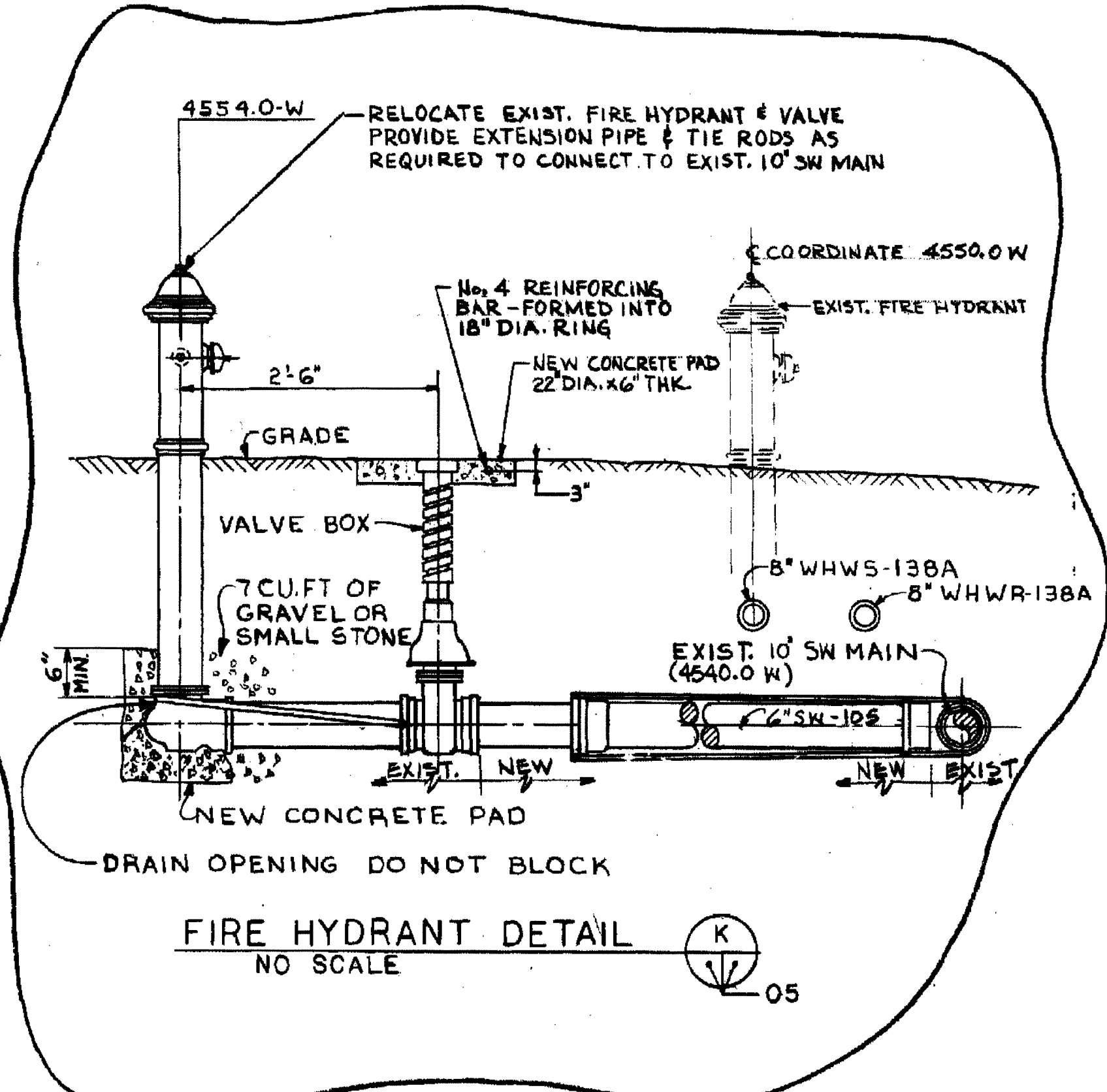
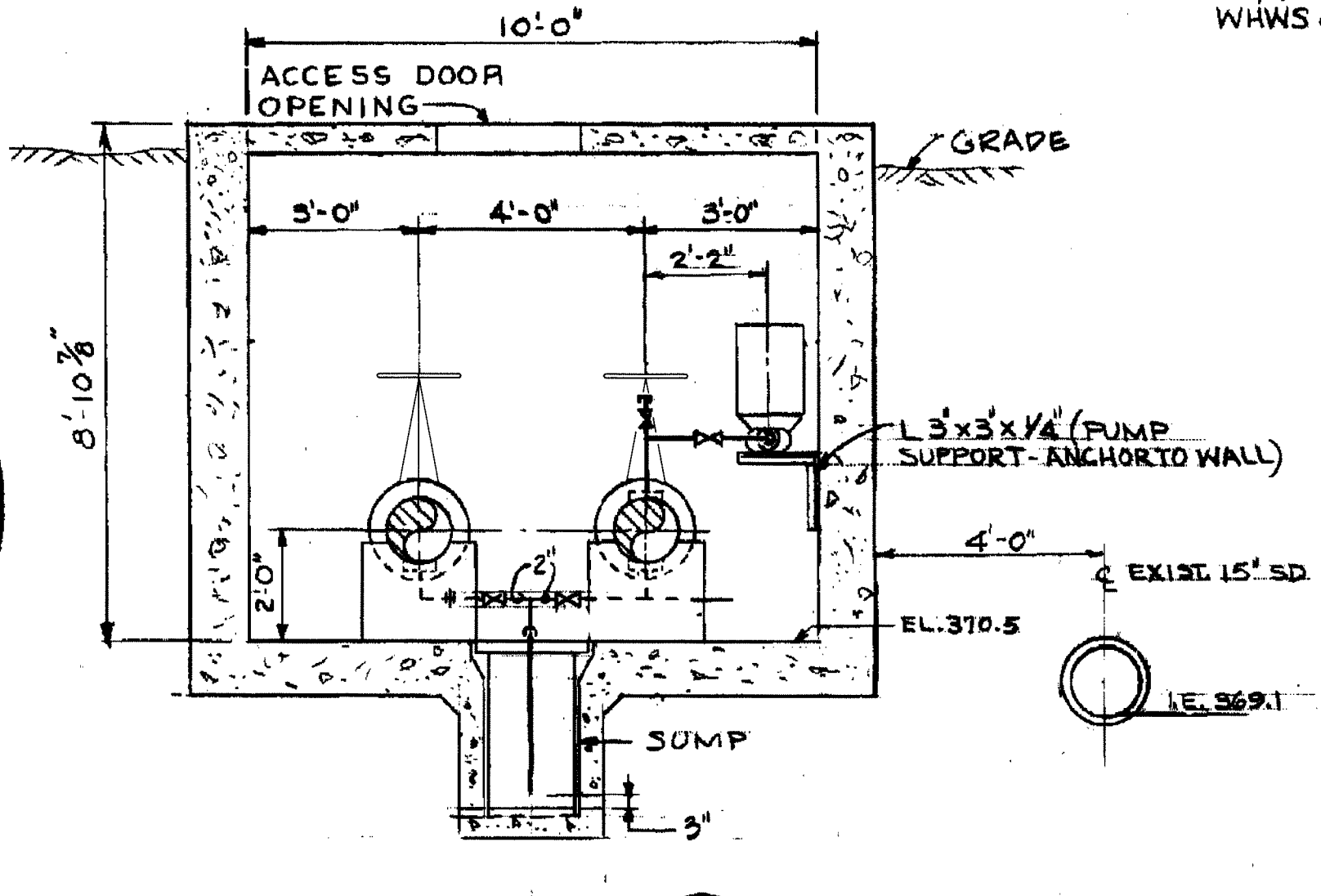


DISTRIBUTION PLAN
SCALE 1/8"=1'-0"

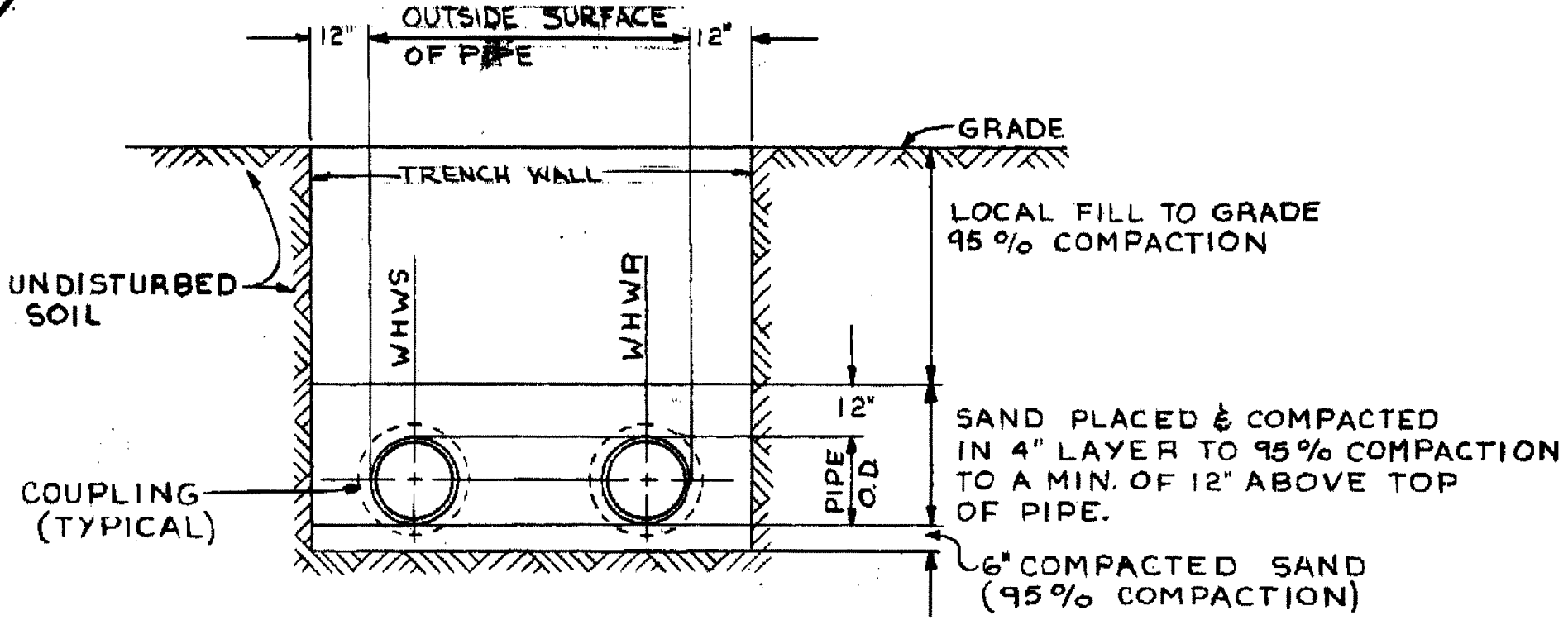


FIRE HYDRANT DETAIL
NO SCALE

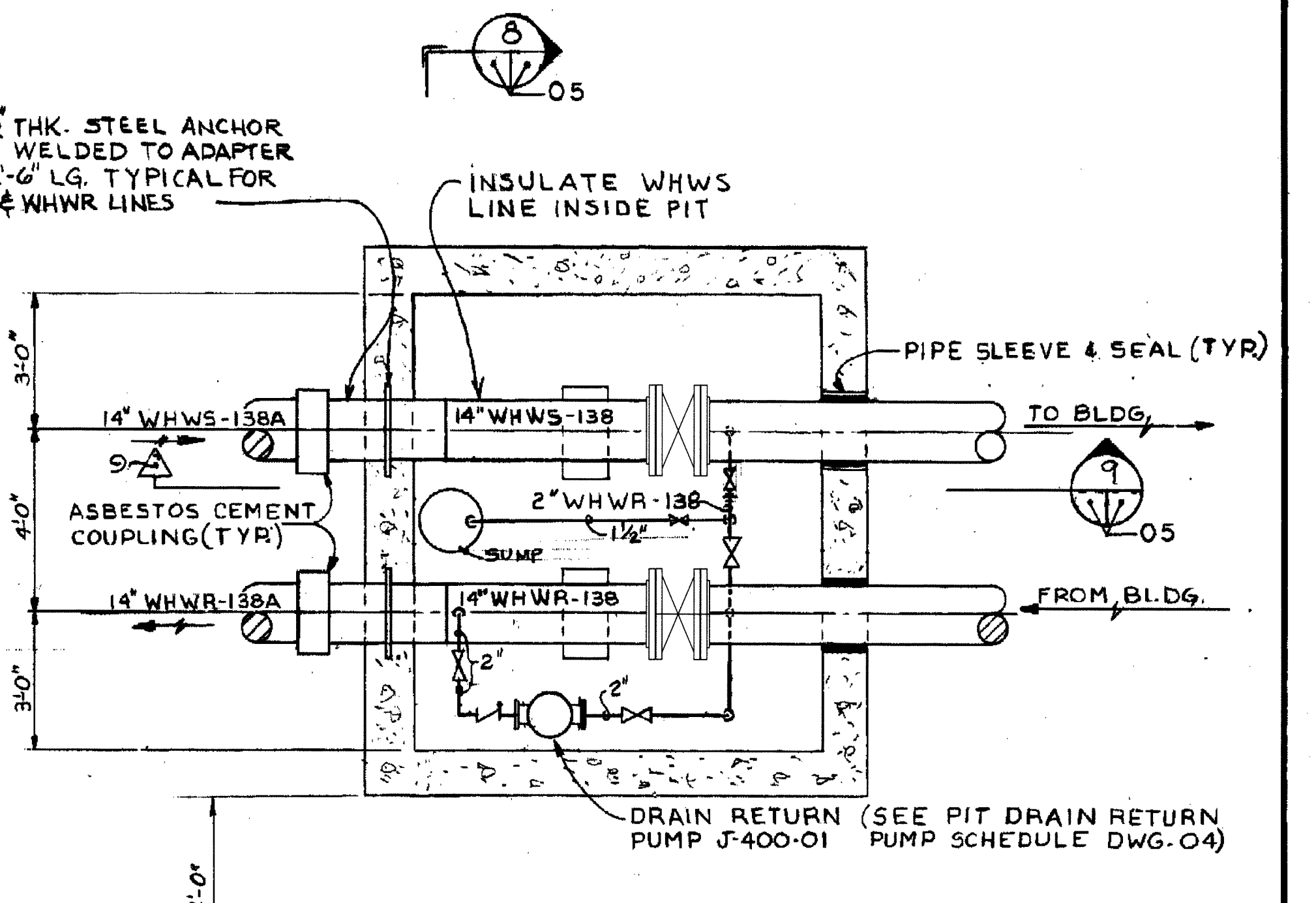
* NOTE: FIRE HYDRANT RELOCATION NOT DONE AS SHOWN IN DISTRIBUTION PLAN. 8" LINE'S RELOCATED 4' WEST. SEE DRW MSE-14179-0004 & 0005 DISTRIBUTION PLAN.



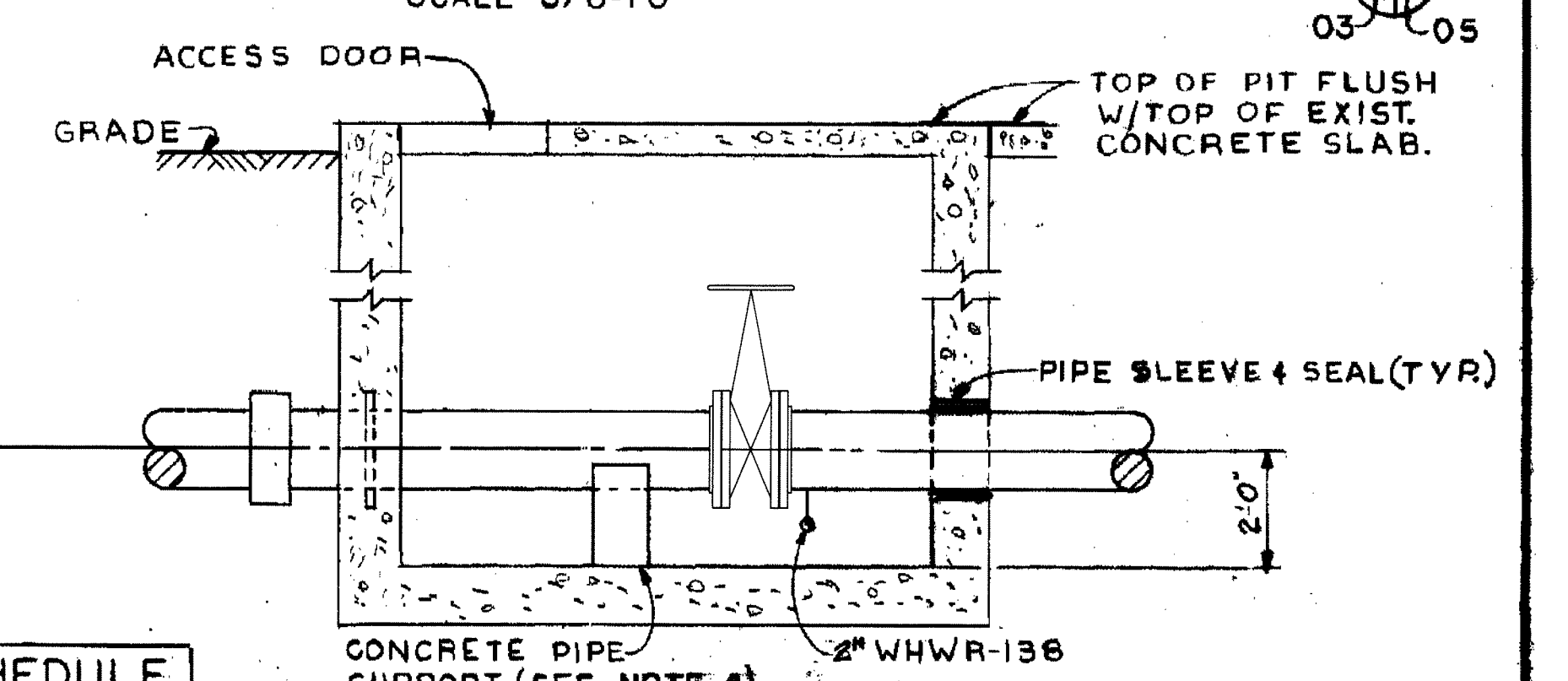
SECTION
SCALE 3/8"=1'-0"



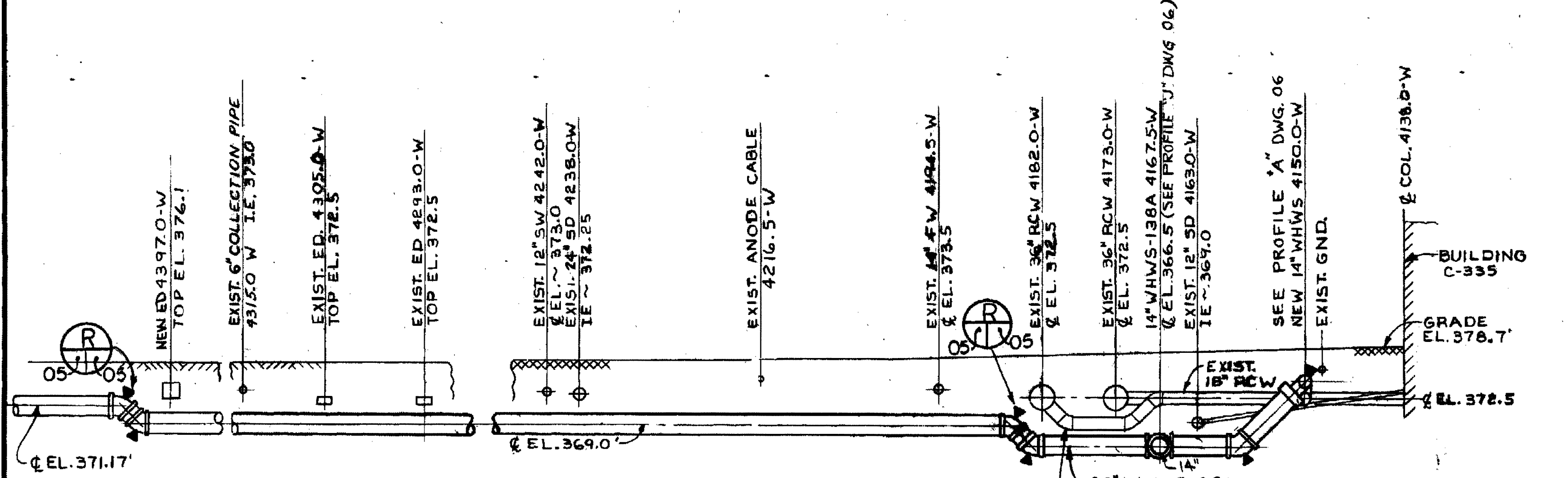
TYPICAL BEDDING DETAIL
NO SCALE



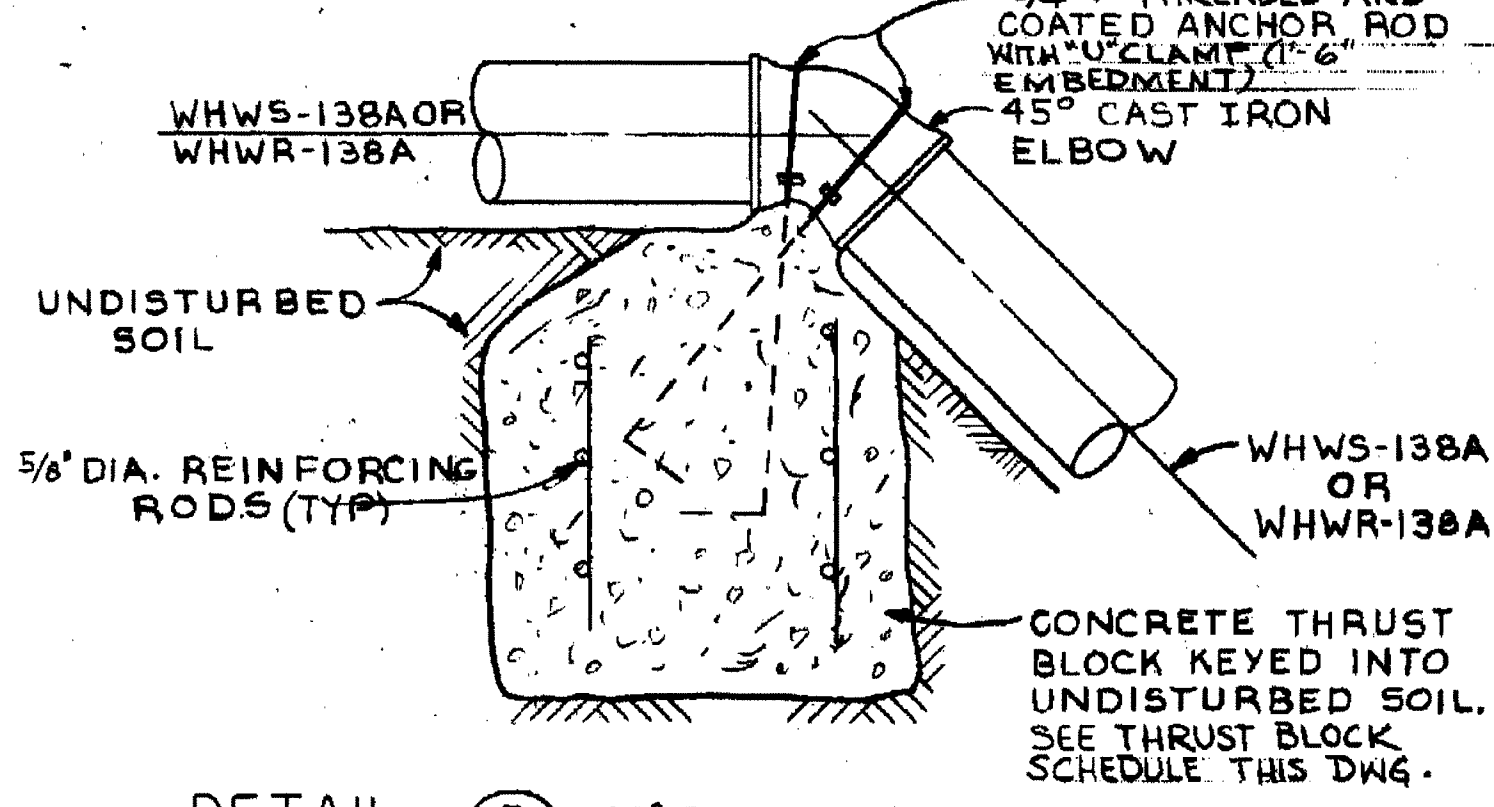
ENLARGED PLAN NO. 400 VALVE PIT - DETAIL
SCALE 3/8"=1'-0"



SECTION
SCALE 3/8"=1'-0"



SECTION
SCALE 3/32"=1'-0"



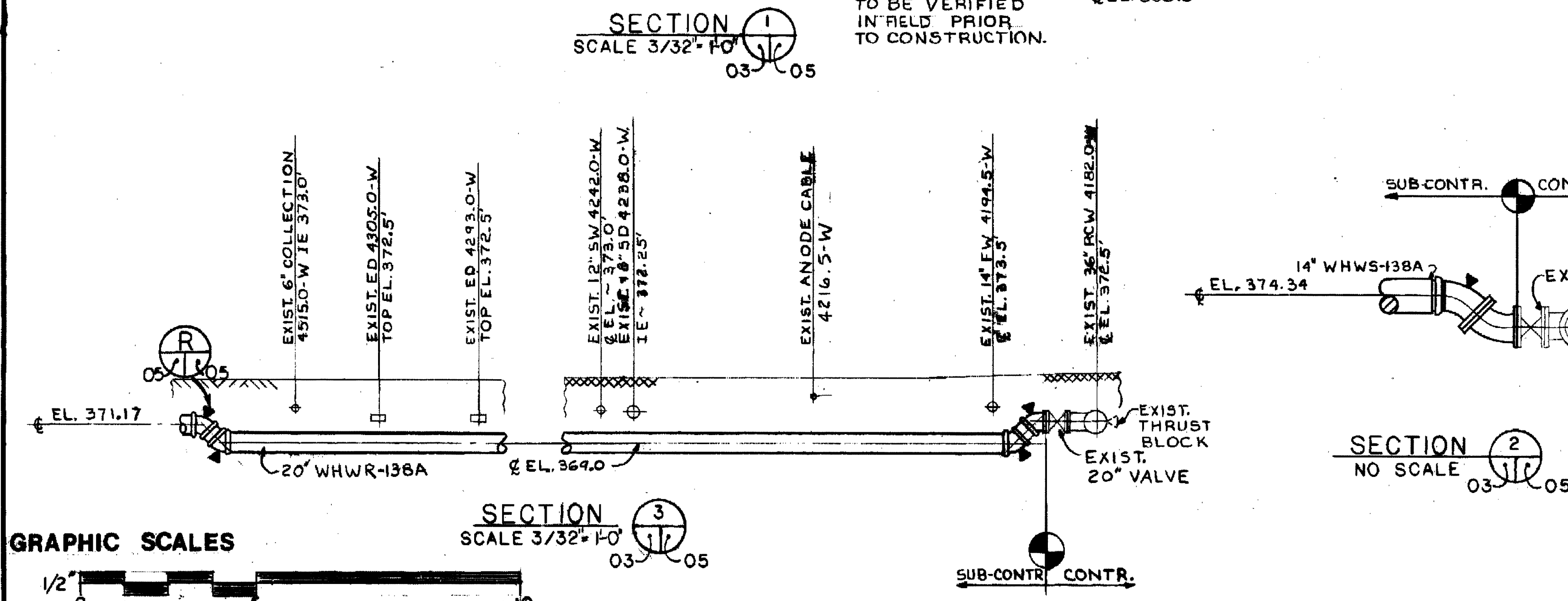
DETAIL
NO SCALE

PIPE SIZE (IN.)	MIN. VOL. (CU. FT.) 45° ELBOW (UPWARD THRUST)
20	393
16	221
14	170.5
8	54
6	31
4	15

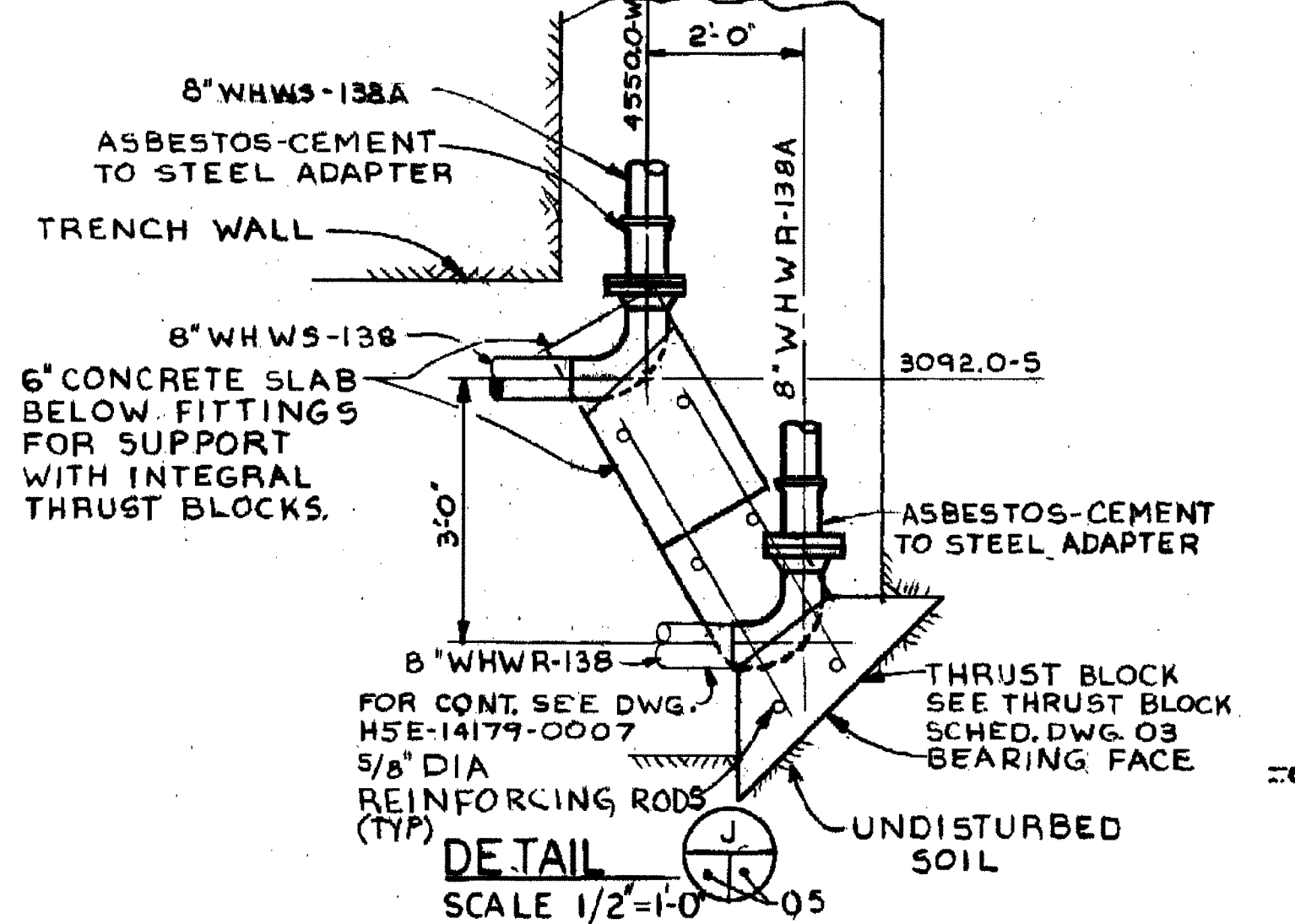
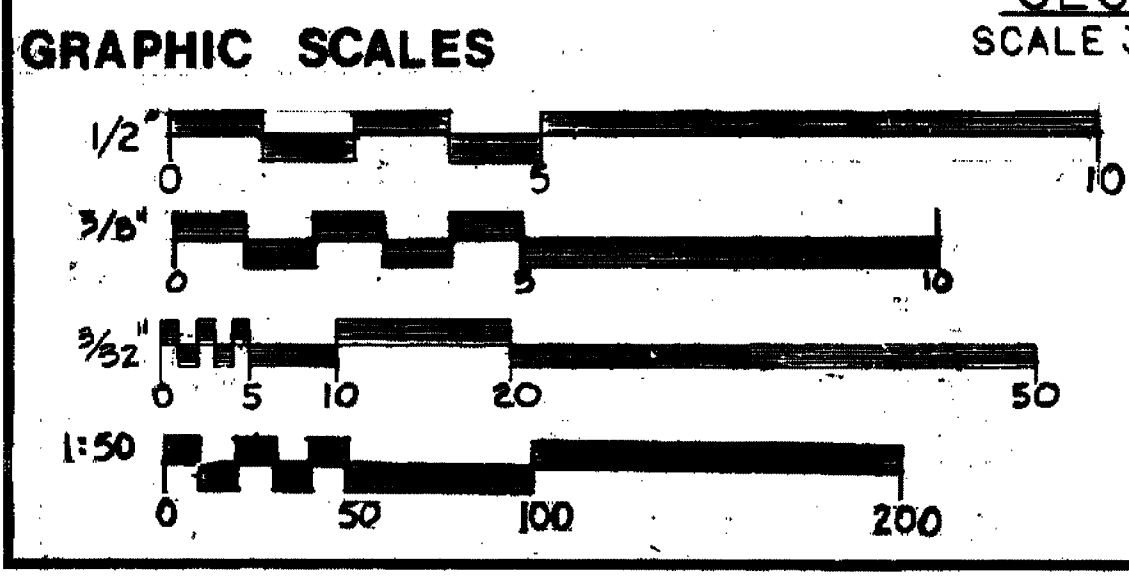
- NOTES:
 1. THIS SCHEDULE APPLICABLE TO DETAIL "R" ONLY.
 2. VOLUMES GIVEN ARE FOR SINGLE FITTINGS - WHERE THRUST BLOCK SERVES TWO LINES, VOLUMES MUST BE DOUBLED.
 3. SEE THRUST BLOCK SCHEDULE DWG. 03 FOR DOWNWARD & HORIZONTAL THRUST.

NOTES:
 1. FOR GENERAL NOTES & LEGEND SEE DWG. 01
 2. RELOCATE FH AT 4550.0-W/2867.0-S WEST AS SHOWN.
 3. FOR ELEVATIONS SEE PROFILES - DWG. 06
 4. FOR VALVE PIT CONSTRUCTION DETAILS REFER TO DWG. CSE-14179-0002.

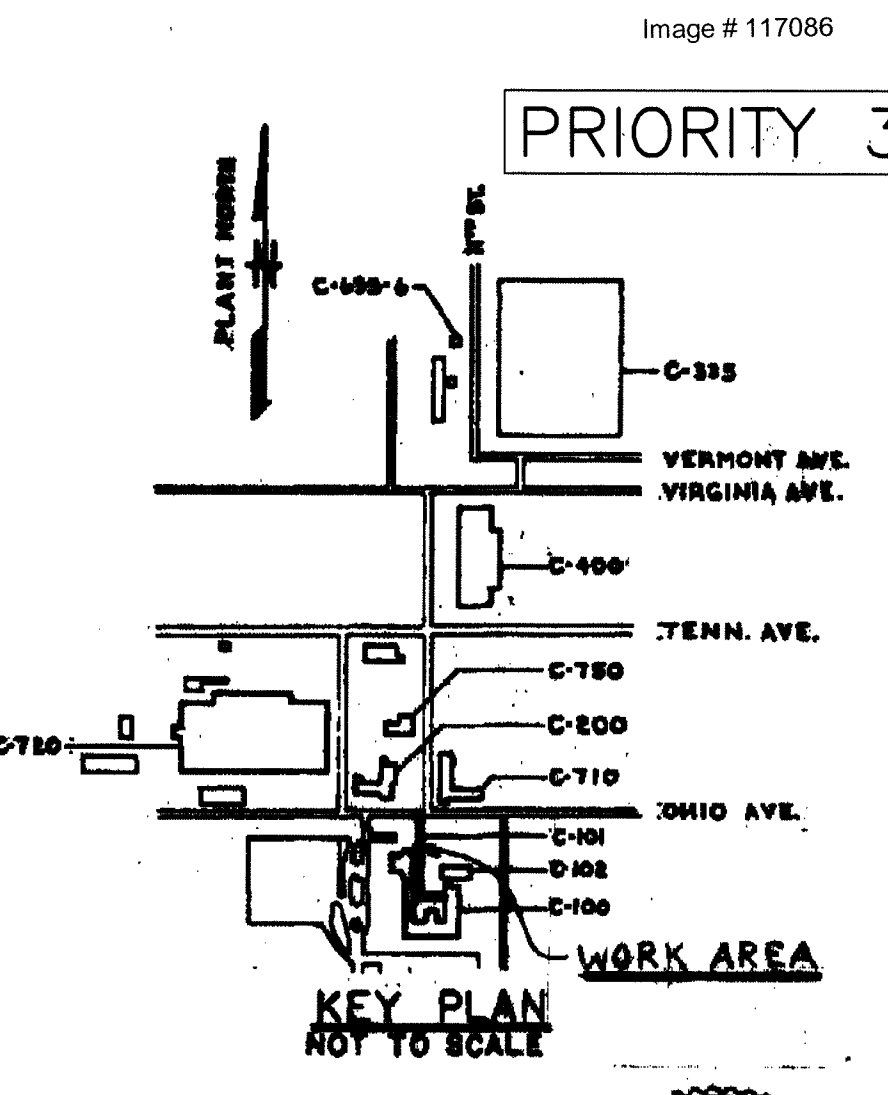
REVIEWED FOR CLASSIFICATION
 KW 08/19/2014
 Initials Date
 UNCLASSIFIED



SECTION
NO SCALE



DETAIL
SCALE 1/2"=1'-0"



KEY PLAN
NOT TO SCALE

2	ME	JJ	JJ	NK	DLF	APD
REV	DRW	CHKR	RED	TR	APPD	DATE

2 AS-BUILT ENTIRE DRAWING FOR ESE-ZA3990-195
 1C AS BUILT
 0 CERTIFIED FOR CONSTRUCTION

UNITED STATES DEPARTMENT OF ENERGY
 A. M. KINNEY, INC.
 CONSULTING ENGINEERS
 CINCINNATI, OHIO

MECHANICAL UNDERGROUND PIPING DISTRIBUTION PLAN & DETAILS - SHEET 3.

DATE: 1/28/79
 OPERATOR: W.D. BRICKEEN
 D.G. CRAFTS

PROJECT: PROCESS WASTE HEAT UTILIZATION
 DRAWING NO.: MSE-14179-0005