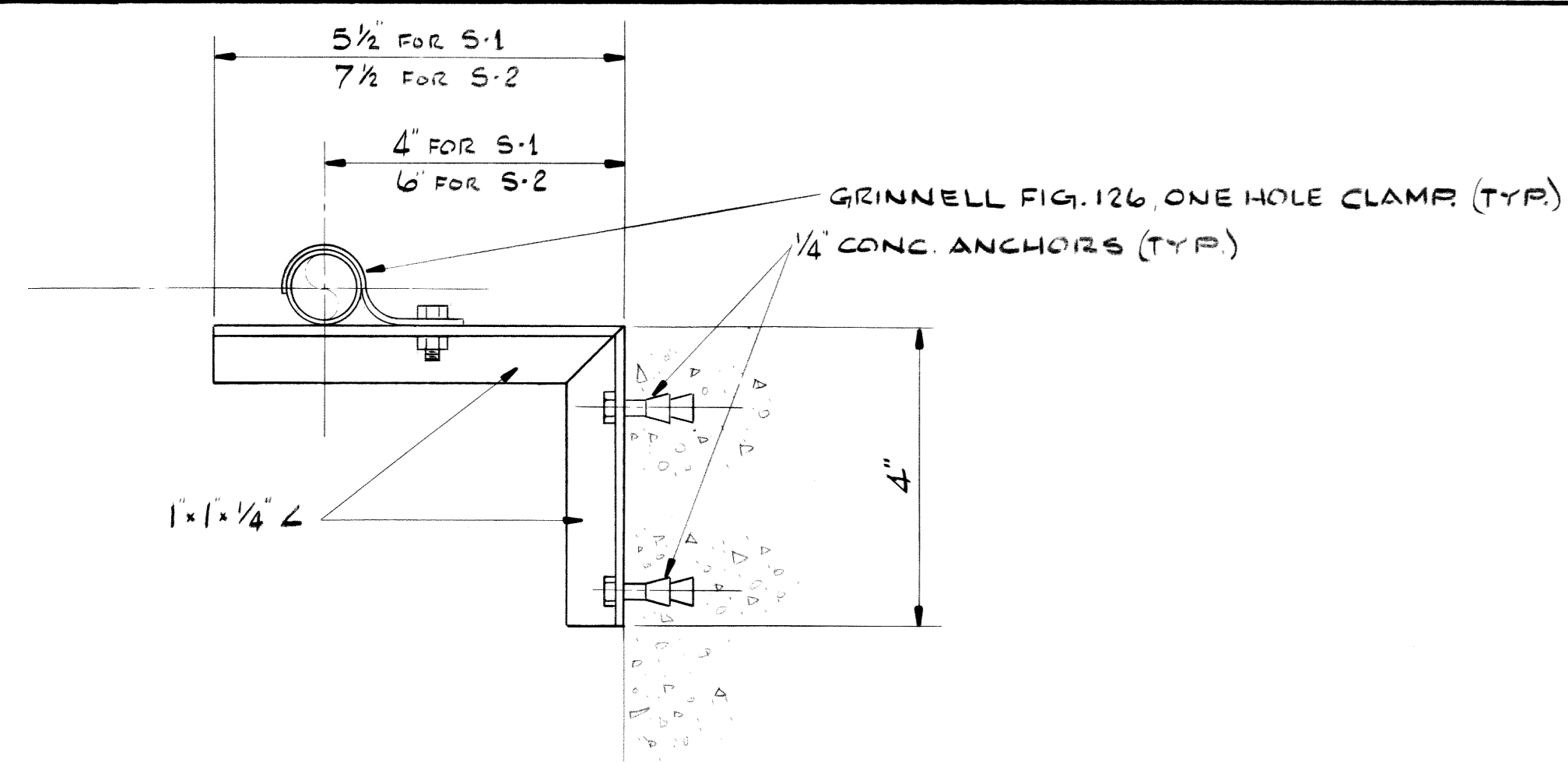
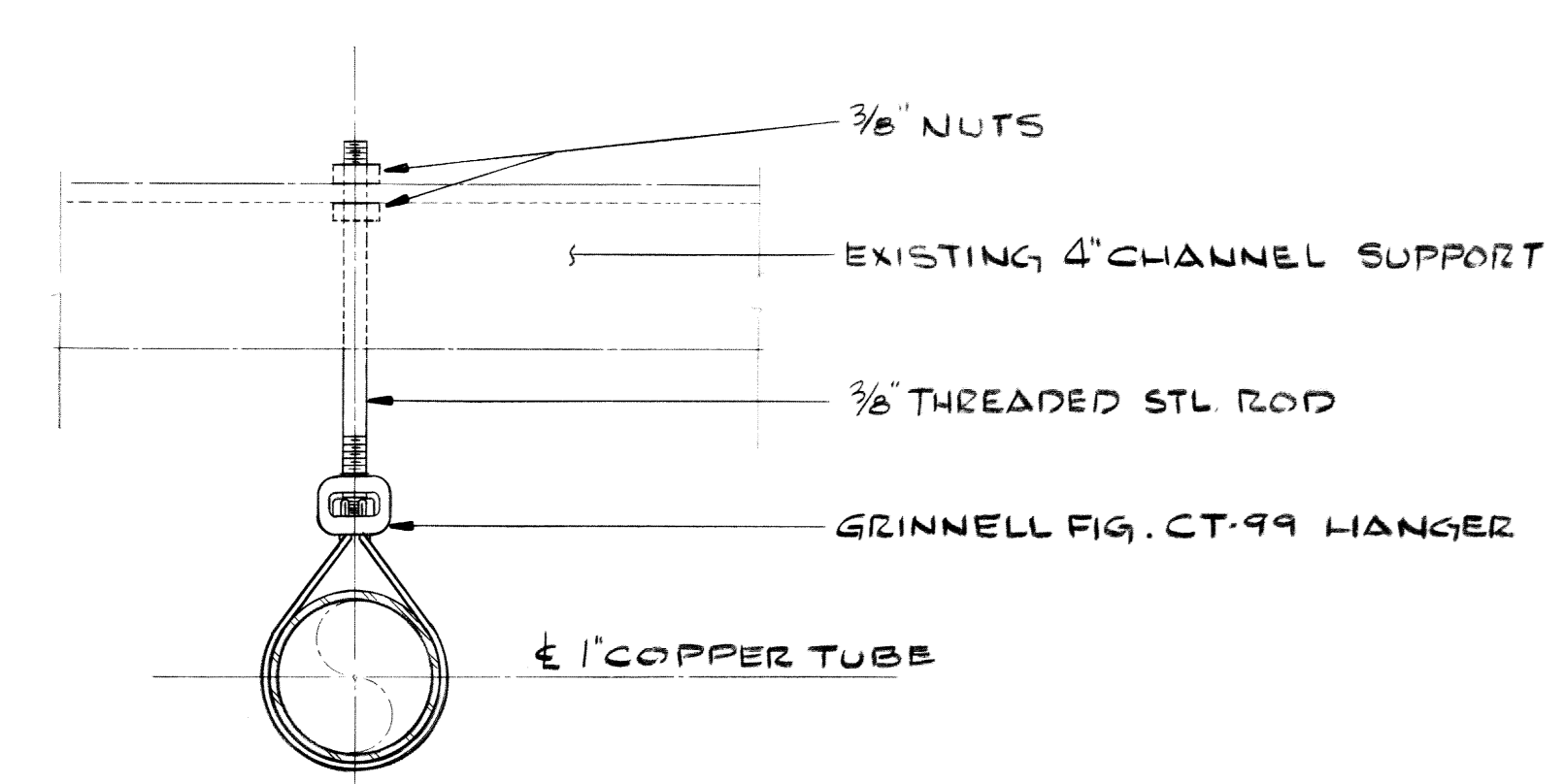


**AIR COMPRESSOR EQUIP. & PIPING DEMOLITION**  
 C-100 BASEMENT, SOUTHEAST MECH. RM.  
 SCALE 1/2" = 1'-0"

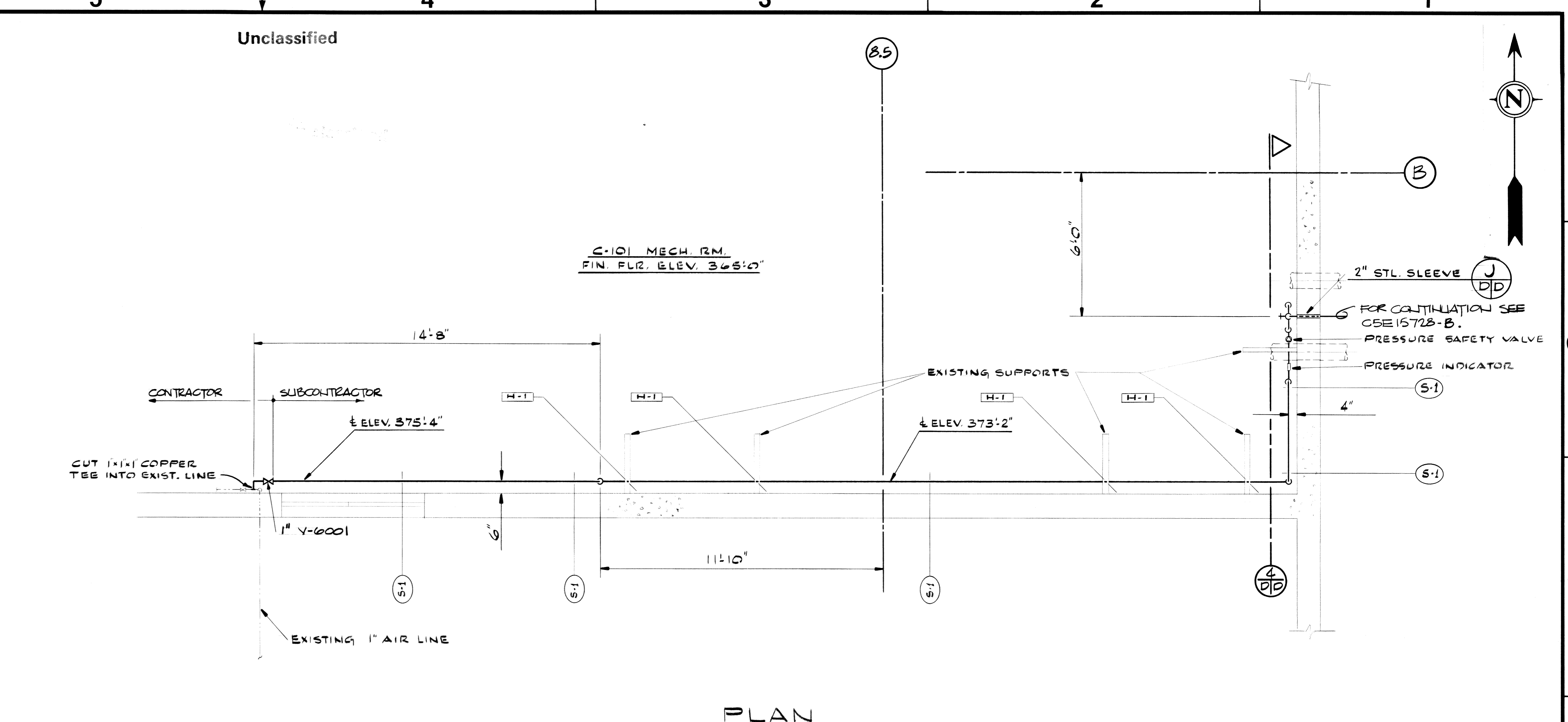
NOTE:  
 ALL EQUIPMENT & RELATED PIPING, CROSS HATCHED ABOVE, IS TO BE DEMOLISHED.



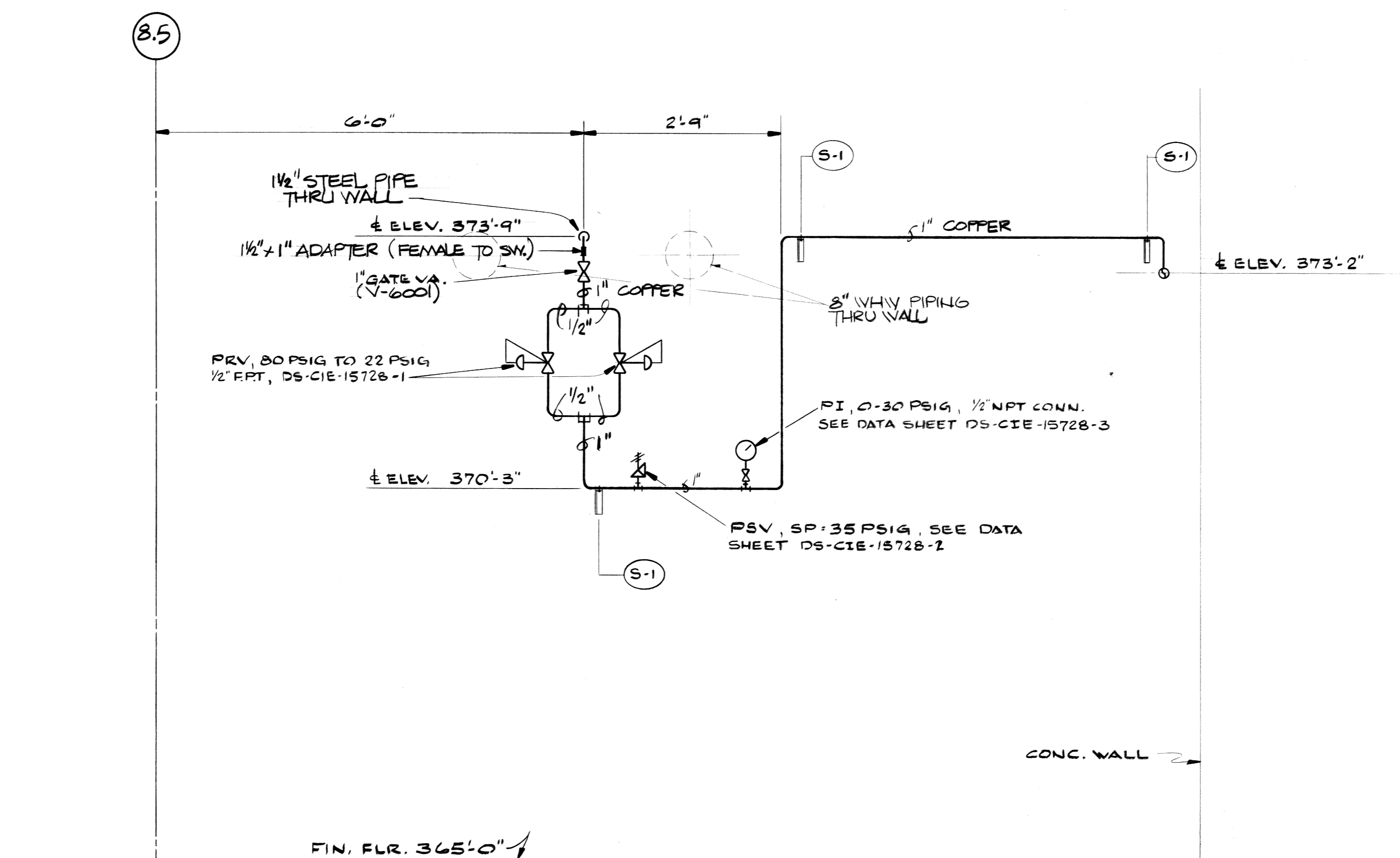
**SUPPORT DETAIL (S-1) - (S-2)**  
 N.T.S.



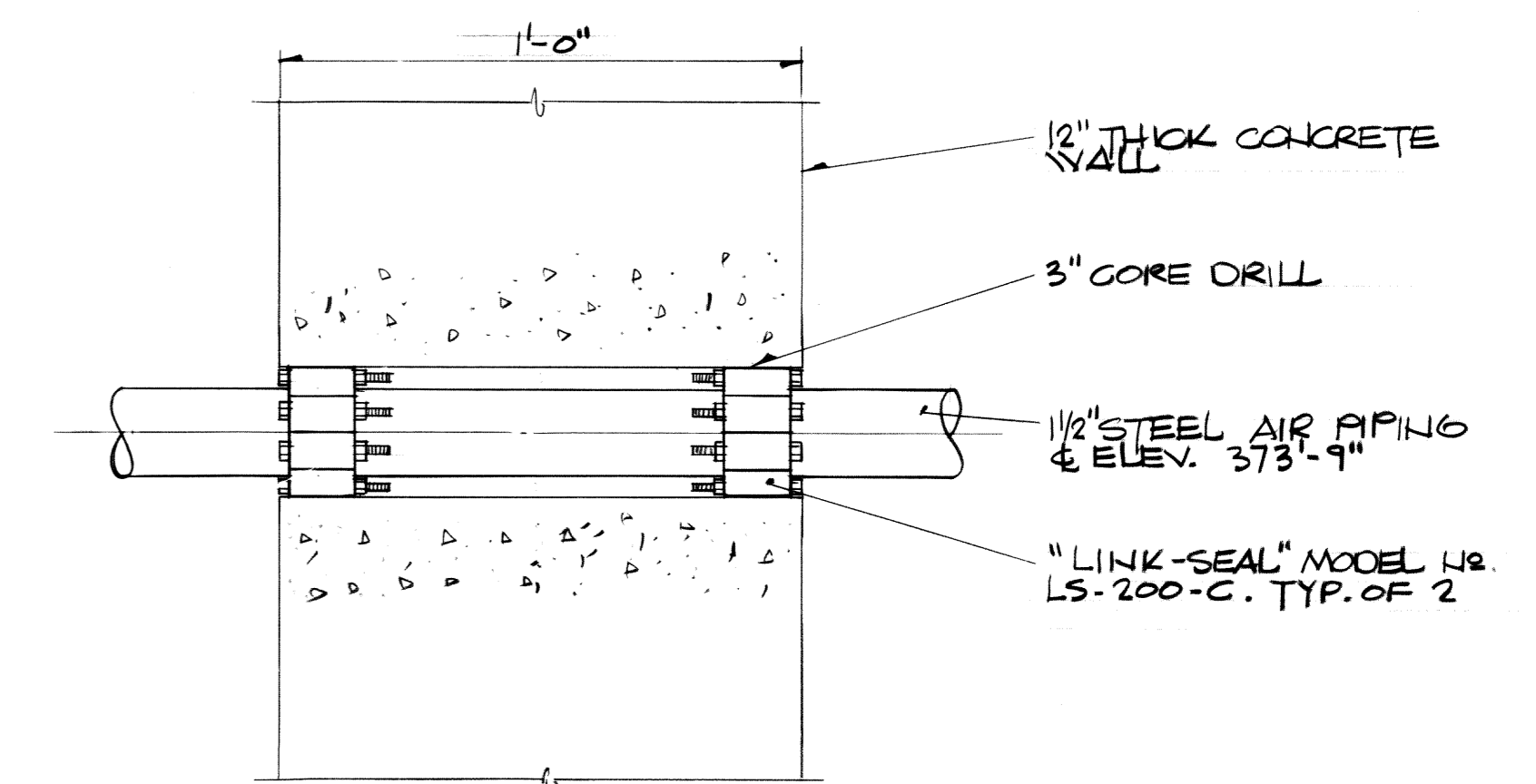
**HANGER DETAIL (H-1)**  
 N.T.S.



**PLAN**  
 C-101 NORTH WEST MECH. RM.  
 SCALE 3/8" = 1'-0"



**SECTION 4 (PD)**  
 SCALE 3/4" = 1'-0"



**DETAIL (J)**  
 SCALE 3" = 1'-0"

REVIEWED FOR CLASSIFICATION  
 Name: *J. K. ...* Date: 1-23-88  
 UNCLASSIFIED

REVIEWED FOR CLASSIFICATION  
 RAF: 05/06/2014  
 Initials: Date: UNCLASSIFIED

BT Images, Inc.  
 00023008

"NO REPRESENTATION OR WARRANTY, EXPRESSED OR IMPLIED, IS MADE THAT THE USE OR DISCLOSURE OF ANY INFORMATION, APPARATUS, METHOD OR PROCESS DISCLOSED IN THESE DRAWINGS MAY NOT INFRINGE PRIVATE RIGHTS OF OTHERS. NO LIABILITY IS ASSUMED WITH RESPECT TO THE USE OF, OR FOR DAMAGES RESULTING FROM THE USE OF, ANY INFORMATION, APPARATUS, METHOD OR PROCESS DISCLOSED IN THESE DRAWINGS. THE DRAWINGS ARE BEING MADE AVAILABLE FOR INFORMATION TO BIDDER AND ARE NOT TO BE USED FOR OTHER PURPOSES, AND ARE TO BE RETURNED UPON REQUEST OF THE FORWARDING CONTRACTOR."

SECTION & DETAIL LEGEND	
	SECTION NUMBER OR DETAIL LETTER
	SHEET WHERE DETAIL OR SECTION IS CUT
	SHEET WHERE DETAIL OR SECTION IS SHOWN

BY	DATE	SECT.	REV.	DESCRIPTION	BY	CHK	RED	SECT.	DEPT.	DATE	PE	REQ.	DATE	UCCND.	DATE	DOE	DATE	GE	CA	EC	EE	MD	IE	MA	CP	SE	CE
JAP	7-85	AKB	0	CERTIFIED FOR CONSTRUCTION - FFSC # 811B																							
			A	FOR APPROVAL - TITLE II - CFP BY '83	JAP	M...	T...	J...	W...	1/23/88																	

TOLERANCES UNLESS OTHERWISE SPECIFIED	
FRACTIONS	±
XX DECIMALS	±
XXX DECIMALS	±
ANGLES	±
BREAK SHARP EDGES	MAX.
FINISH	

UNION CARBIDE CORPORATION • NUCLEAR DIVISION		
DES	M.W. IHLEN	3-83
DRW	M.L. BOREJ	3-83
CHK	M.W. IHLEN	1/84
SECT	M.W. IHLEN	1/84
DEPT & PLANT		
DIVISION		
REQUESTER	AB	1/84
FIRE / SECURITY JRN/CN		1/84
SAFETY	MM	1/84
IND. HYGIENE	RB	1/84

HVAC UPGRAD. C-100, C-101, C-102 AIR PIPING PLAN & DETAILS									
1	48	40	50	PLANT	BLDG	FL	SHT.	OF	CLASS
3	H	A	P	POOF	C-101	B			U
SCALE	AS NOTED	ID	15728	MSE	15728	D			