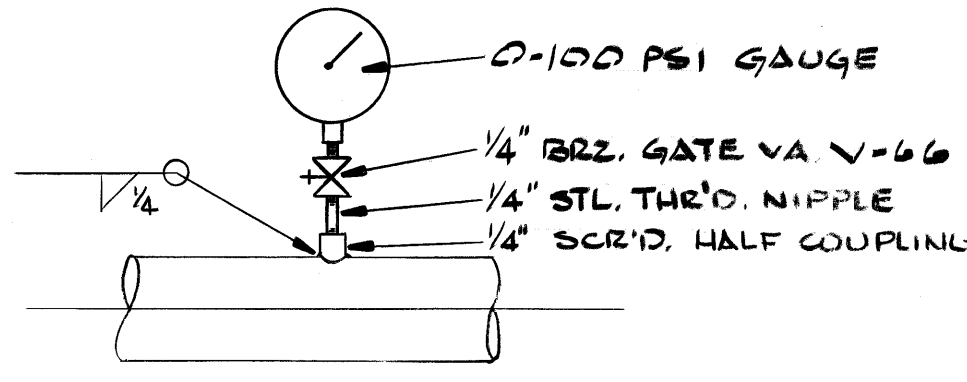
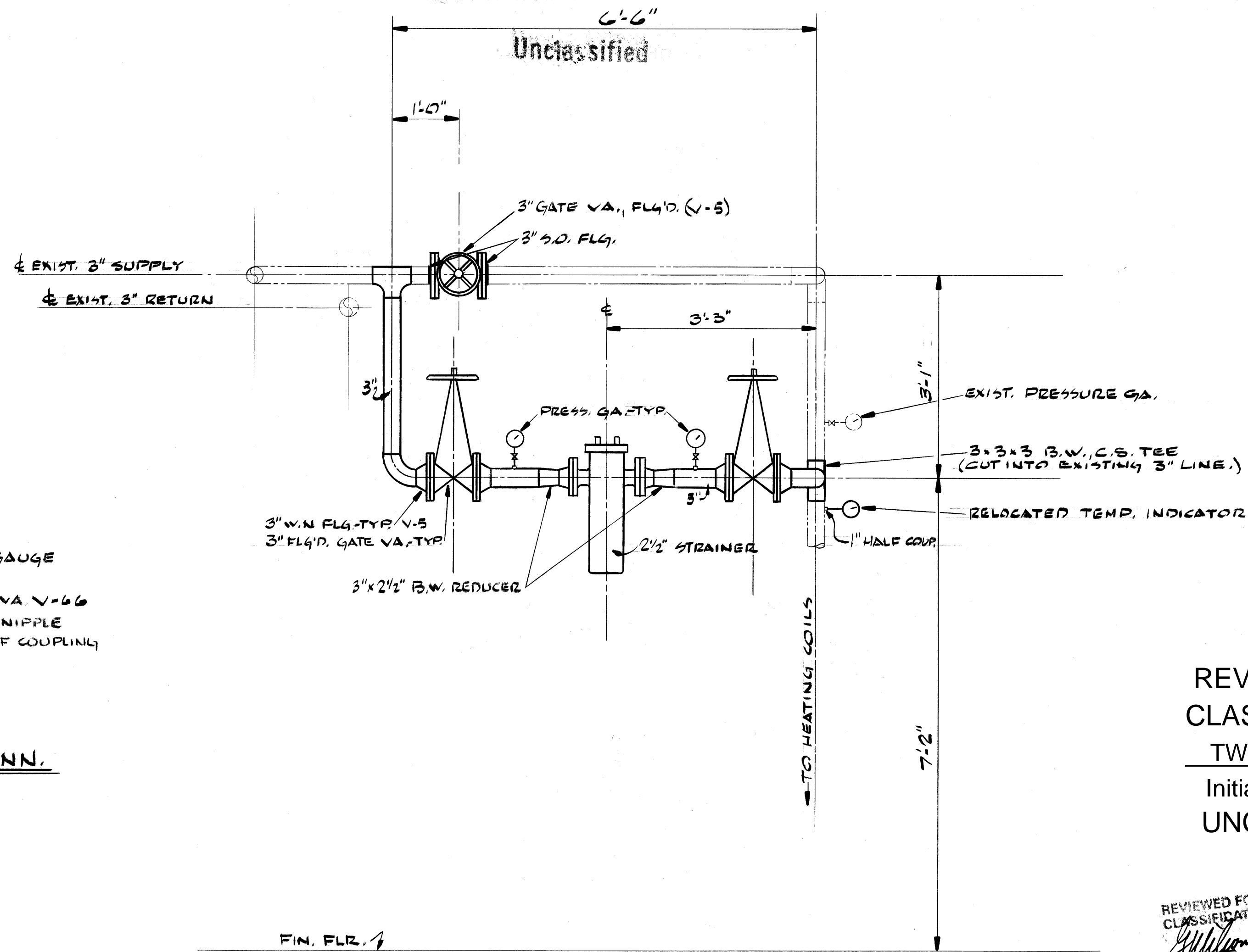


Unclassified



TYP. PRESSURE GA. CONN.
N.T.S.

REVIEWED FOR
CLASSIFICATION
TWP 06/13/2014
Initials Date
UNCLASSIFIED

REVIEWED FOR
CLASSIFICATION
Name: [Signature] 3/12/98
UNCLASSIFIED

REVIEWED FOR
CLASSIFICATION

STRAINER ADDITION

C-100 BASEMENT CENTRAL ZONE FAN ROOM.
SCALE 3/4"=1'-0"

- NOTE:
1. INSULATE ALL EXPOSED PIPE & FITTINGS WITH 1/2" FIBERGLASS INSULATION TO MATCH EXISTING.
 2. TILT GAUGES TO MAKE THEM VISIBLE FROM FLR. LEVEL.
 3. WELDING TO BE AS PER UCN W-101.

BT Images, Inc.
00059915

NO REPRESENTATION OR WARRANTY, EXPRESSED OR IMPLIED, IS MADE THAT THE USE OR DISCLOSURE OF ANY INFORMATION, APPARATUS, METHOD OR PROCESS DISCLOSED IN THESE DRAWINGS MAY NOT INFRINGE PRIVATE RIGHTS OF OTHERS. NO LIABILITY IS ASSUMED WITH RESPECT TO THE USE OF, OR FOR DAMAGES RESULTING FROM THE USE OF, ANY INFORMATION, APPARATUS, METHOD OR PROCESS DISCLOSED IN THESE DRAWINGS. THE DRAWINGS ARE BEING MADE AVAILABLE FOR INFORMATION TO BIDDER AND ARE NOT TO BE USED FOR OTHER PURPOSES, AND ARE TO BE RETURNED UPON REQUEST OF THE FORWARDING CONTRACTOR.

| | | | | | | | | | | | | | | | | | | | | | | | | | | | | | | | | | | | | | | | | | | | | | | | | | | | | | | | | | | | | | | | | | | | | | | | | | | | | | | | | | | | | | | | | | | | | | | | | | | | | | | | | | | | | | | | | | | | | | | | | | | | | | | | | | | | | | | | | | | | | | | | | | | | | | | | | | | | | | | | | | | | | | | | | | | | | | | | | | | | | | | | | | | | | | | | | | | | | | | | | | | | | | | | | | | | | | | | | | | | | | | | | | | | | | | | | | | | | | | | | | | | | | | | | | | | | | | | | | | | | | | | | | | | | | | | | | | | | | | | | | | | | | | | | | | | | | | | | | | | | | | | | | | | | | | | | | | | | | | | | | | | | | | | | | | | | | | | | | | | | | | | | | | | | | | | | | | | | | | | | | | | | | | | | | | | | | | | | | | | | | | | | | | | | | | | | | | | | | | | | | | |
|--|--|--|--|--|--|--|--|--|--|--|--|--|--|--|--|--|--|--|--|--|--|--|--|--|--|---|--|--|--|--|--|--|--|--|--|--|--|--|--|--|--|--|--|--|--|--|--|--|--|--|--|---|--|--|--|--|--|--|--|--|--|--|--|--|---|--|--|--|--|--|--|--|--|--|--|--|--|--|--|--|--|--|--|--|--|--|--|--|--|--|------|--|--|--|--|--|--|--|--|--|--|--|--|-------|--|--|--|--|--|--|--|--|--|--|--|--|-------|--|--|--|--|--|--|--|--|--|--|--|--|------|--|--|--|--|--|--|--|--|--|--|--|--|----|--|--|--|--|--|--|--|--|--|--|--|--|------|--|--|--|--|--|--|--|--|--|--|--|--|------|--|--|--|--|--|--|--|--|--|--|--|--|-------|--|--|--|--|--|--|--|--|--|--|--|--|------|--|--|--|--|--|--|--|--|--|--|--|--|-----|--|--|--|--|--|--|--|--|--|--|--|--|------|--|--|--|--|--|--|--|--|--|--|--|--|----|--|--|--|--|--|--|--|--|--|--|--|--|----|--|--|--|--|--|--|--|--|--|--|--|--|----|--|--|--|--|--|--|--|--|--|--|--|--|----|--|--|--|--|--|--|--|--|--|--|--|--|----|--|--|--|--|--|--|--|--|--|--|--|--|----|--|--|--|--|--|--|--|--|--|--|--|--|----|--|--|--|--|--|--|--|--|--|--|--|--|----|--|--|--|--|--|--|--|--|--|--|--|--|----|--|--|--|--|--|--|--|--|--|--|--|--|------|--|--|--|--|--|--|--|--|--|--|--|--|-----|--|--|--|--|--|--|--|--|--|--|--|--|-------------------|--|--|--|--|--|--|--|--|--|--|--|--|------|--|--|--|--|--|--|--|--|--|--|--|--|
| <p>SECTION NUMBER OR DETAIL LETTER</p> <p>SHEET WHERE DETAIL OR SECTION IS CUT</p> <p>SHEET WHERE DETAIL OR SECTION IS SHOWN</p> <p>SECTION 8 DETAIL LEGEND</p> | | | | | | | | | | | | | <p>NO REPRESENTATION OR WARRANTY, EXPRESSED OR IMPLIED, IS MADE THAT THE USE OR DISCLOSURE OF ANY INFORMATION, APPARATUS, METHOD OR PROCESS DISCLOSED IN THESE DRAWINGS MAY NOT INFRINGE PRIVATE RIGHTS OF OTHERS. NO LIABILITY IS ASSUMED WITH RESPECT TO THE USE OF, OR FOR DAMAGES RESULTING FROM THE USE OF, ANY INFORMATION, APPARATUS, METHOD OR PROCESS DISCLOSED IN THESE DRAWINGS. THE DRAWINGS ARE BEING MADE AVAILABLE FOR INFORMATION TO BIDDER AND ARE NOT TO BE USED FOR OTHER PURPOSES, AND ARE TO BE RETURNED UPON REQUEST OF THE FORWARDING CONTRACTOR.</p> | | | | | | | | | | | | | <p>UNLESS OTHERWISE SPECIFIED</p> <p>FRACTIONS ±</p> <p>XX DECIMALS ±</p> <p>XXX DECIMALS ±</p> <p>ANGLES ±</p> <p>BREAK SHARP EDGES MAX.</p> <p>FINISH</p> | | | | | | | | | | | | | <p>DES: D. Donnelly 10/82</p> <p>DRW: [Signature] 10/82</p> <p>CHK: [Signature] 10/82</p> <p>SEC: [Signature] 10/82</p> <p>DEPT: [Signature] 10/82</p> | | | | | | | | | | | | | <p>UNION CARBIDE CORPORATION • NUCLEAR DIVISION</p> <p>Operated for the DEPARTMENT OF ENERGY under U. S. GOVERNMENT contract W7405 eng 28</p> <p>Oak Ridge, Tennessee Paducah, Kentucky</p> <p>STRAINER ADDITION TO C-100 WASTE HEAT H₂O SUPPLY</p> | | | | | | | | | | | | | <p>DIVISION</p> <p>REQUESTER</p> <p>FIRE/SECURITY</p> <p>SAFETY</p> <p>IND. HYGIENE</p> | | | | | | | | | | | | | <p>PLANT: PDDP</p> <p>BLDG.: C-100</p> <p>FL: []</p> <p>SHT.: []</p> <p>OF: []</p> <p>CLASS: []</p> <p>SCALE: 3/4"=1'-0"</p> <p>ID: M5 C-15761-SK1</p> <p>REV: 0</p> | | | | | | | | | | | | | | | | | | | | | | | | | | | | | | | | | | | | | | | | | | | | | | | | | | | | | | | | | | | | | | | | | | | | | | | | | | | | | | | | | | | | | | | | | | | | | | | | | | | | | | | | | | | | | | | | | | | | | | | | | | | | | | | | | | | | | | | | | | | | | | | | | | | | | | | | | | | | | | | | | | | | | | | | | | | | | | | | | | | | | | | | | | | | | | | | | | | | | | | | | | | | | | | | | | | | | | | | | | | | | | | | | | | | | | | | | | | | | | | | | | | | | | | | | | | | | | | | | | | | | | | | | | | | | | | | | | | | | | | | | | | | | | | | | | | | | | | | | | | | | | | | | | | | | | | | | | | | | | | | | | | | |
| BY | | | | | | | | | | | | | DATE | | | | | | | | | | | | | SECT. | | | | | | | | | | | | | REV | | | | | | | | | | | | | DESCRIPTION | | | | | | | | | | | | | BY | | | | | | | | | | | | | CHK. | | | | | | | | | | | | | RED. | | | | | | | | | | | | | SECT. | | | | | | | | | | | | | DEPT. | | | | | | | | | | | | | DATE | | | | | | | | | | | | | PE | | | | | | | | | | | | | REQ. | | | | | | | | | | | | | DATE | | | | | | | | | | | | | UCCND | | | | | | | | | | | | | DATE | | | | | | | | | | | | | DOE | | | | | | | | | | | | | DATE | | | | | | | | | | | | | QE | | | | | | | | | | | | | CA | | | | | | | | | | | | | EC | | | | | | | | | | | | | EE | | | | | | | | | | | | | MD | | | | | | | | | | | | | IE | | | | | | | | | | | | | MA | | | | | | | | | | | | | CP | | | | | | | | | | | | | SE | | | | | | | | | | | | | C.E. | | | | | | | | | | | | | DOE | | | | | | | | | | | | | DRAWING APPROVALS | | | | | | | | | | | | | DATE | | | | | | | | | | | | |
| AS BUILT | | | | | | | | | | | | | REVISION OR ISSUE PURPOSE | | | | | | | | | | | | | REVISION APPROVALS | | | | | | | | | | | | | SQUAD CHECK | | | | | | | | | | | | | DRAWING APPROVALS | | | | | | | | | | | | | DATE | | | | | | | | | | | | | | | | | | | | | | | | | | | | | | | | | | | | | | | | | | | | | | | | | | | | | | | | | | | | | | | | | | | | | | | | | | | | | | | | | | | | | | | | | | | | | | | | | | | | | | | | | | | | | | | | | | | | | | | | | | | | | | | | | | | | | | | | | | | | | | | | | | | | | | | | | | | | | | | | | | | | | | | | | | | | | | | | | | | | | | | | | | | | | | | | | | | | | | | | | | | | | | | | | | | | | | | | | | | | | | | | | | | | | | | | | | | | | | | | | | | | | | | | | | | | | | | | | | | | | | | | | | | | | | | | | | | | | | | | | | | | | | | | | | | | | | | | | | | | | | | | | | | | | | | | | | | | | | | | | | | | | | | | | | | | | | | | | |