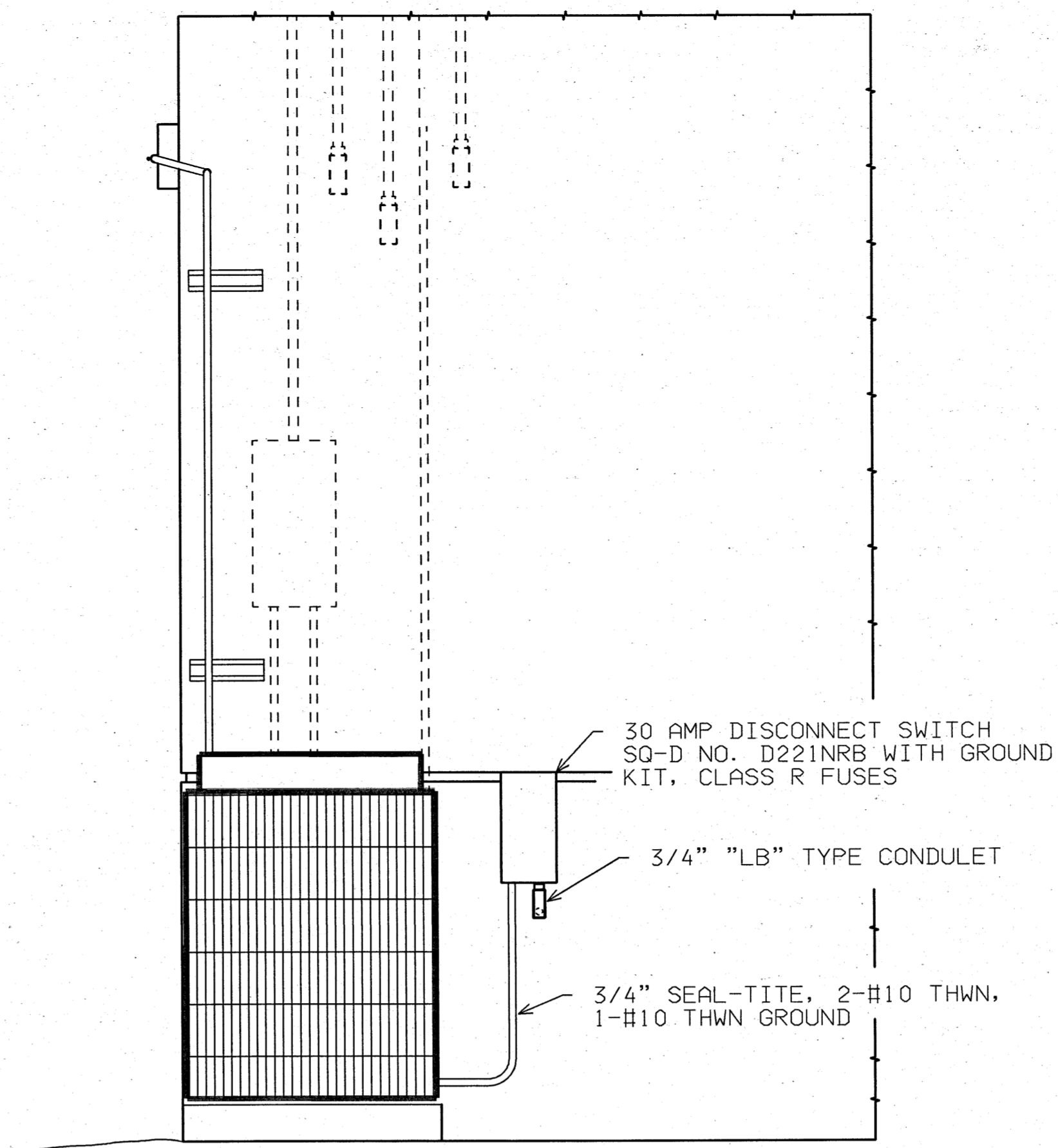
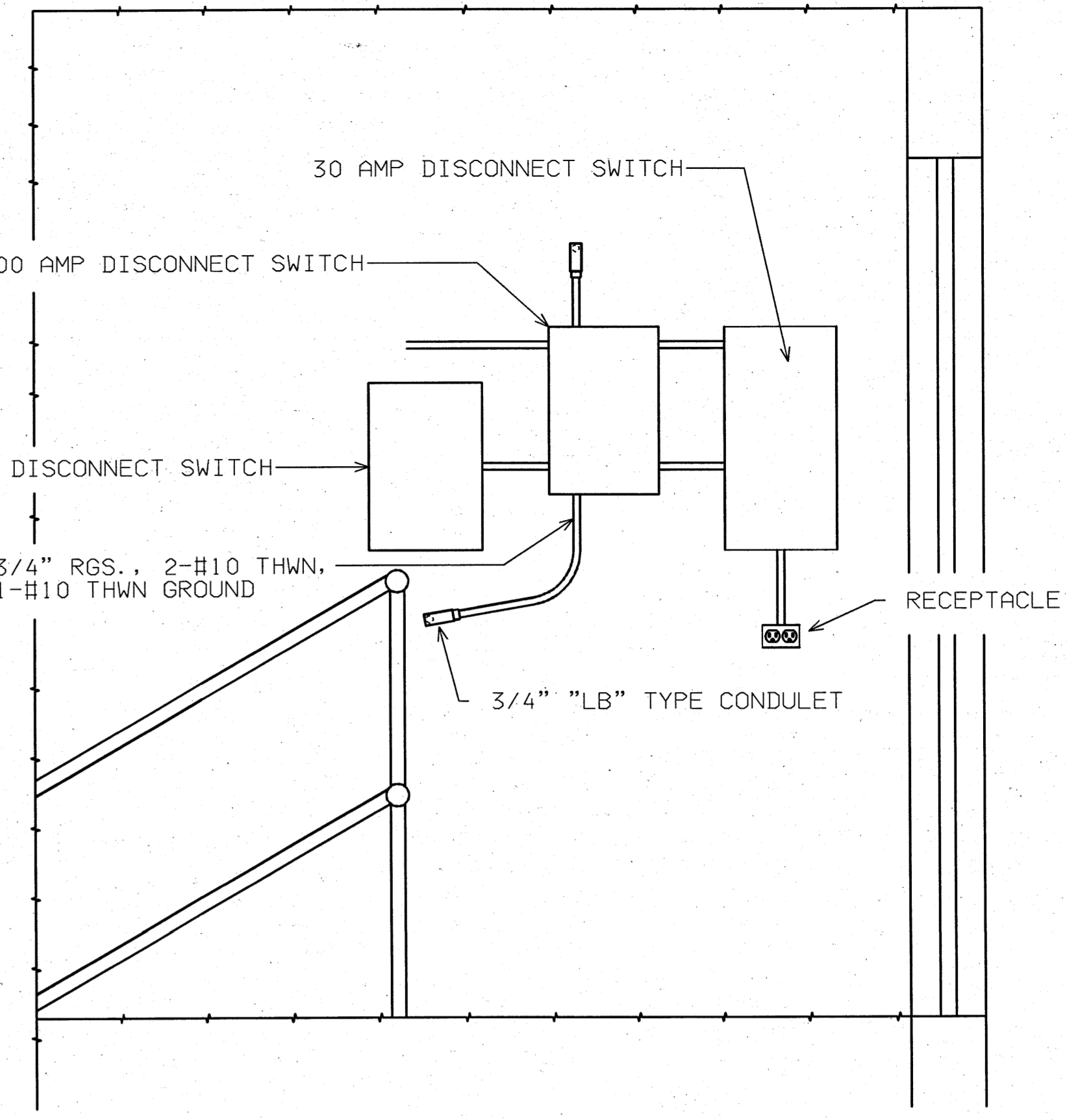


PARTIAL GROUND FLOOR PLAN - PBX ROOM
SCALE: 3/8" = 1'-0"

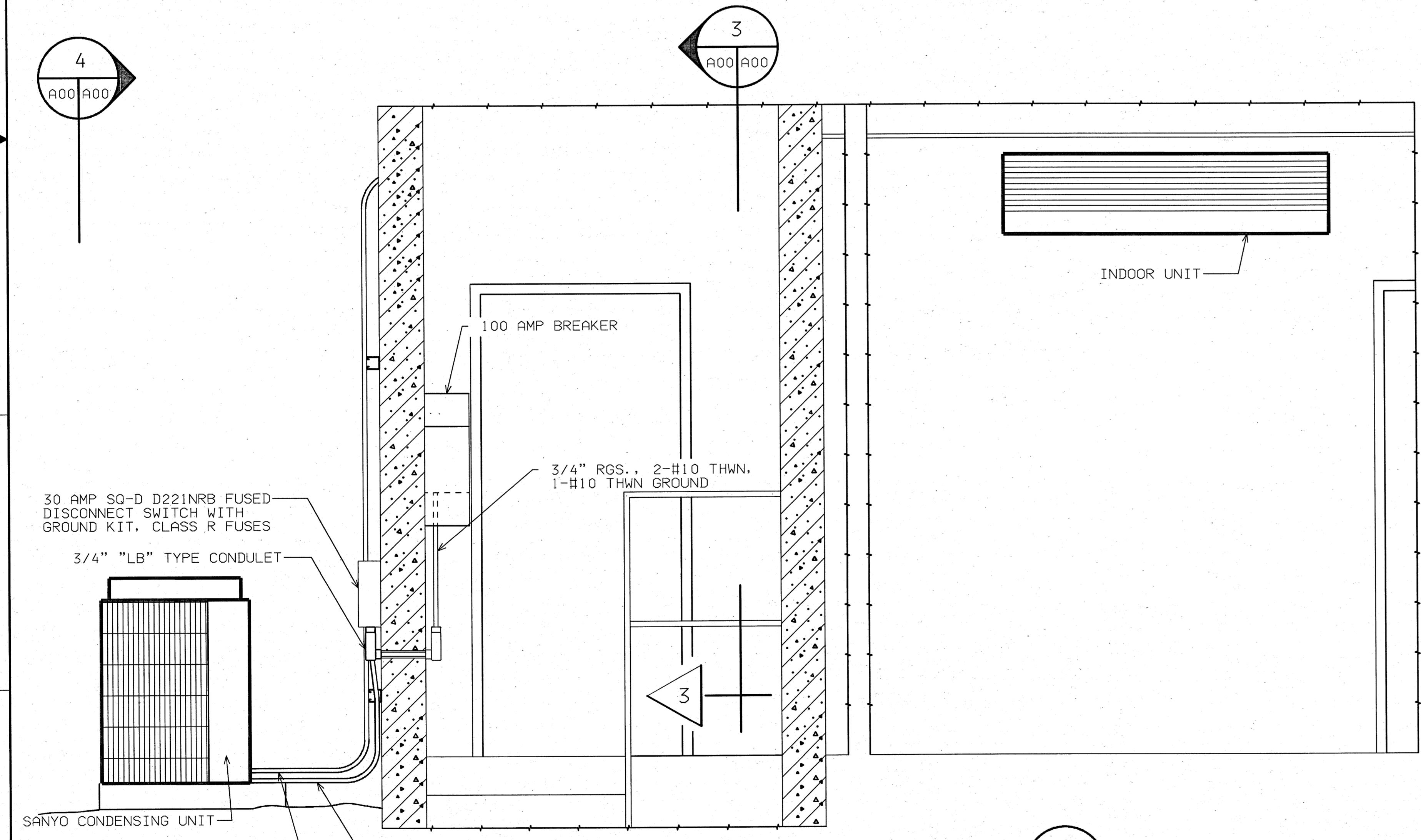
Unclassified



4 SECTION
SCALE: NONE

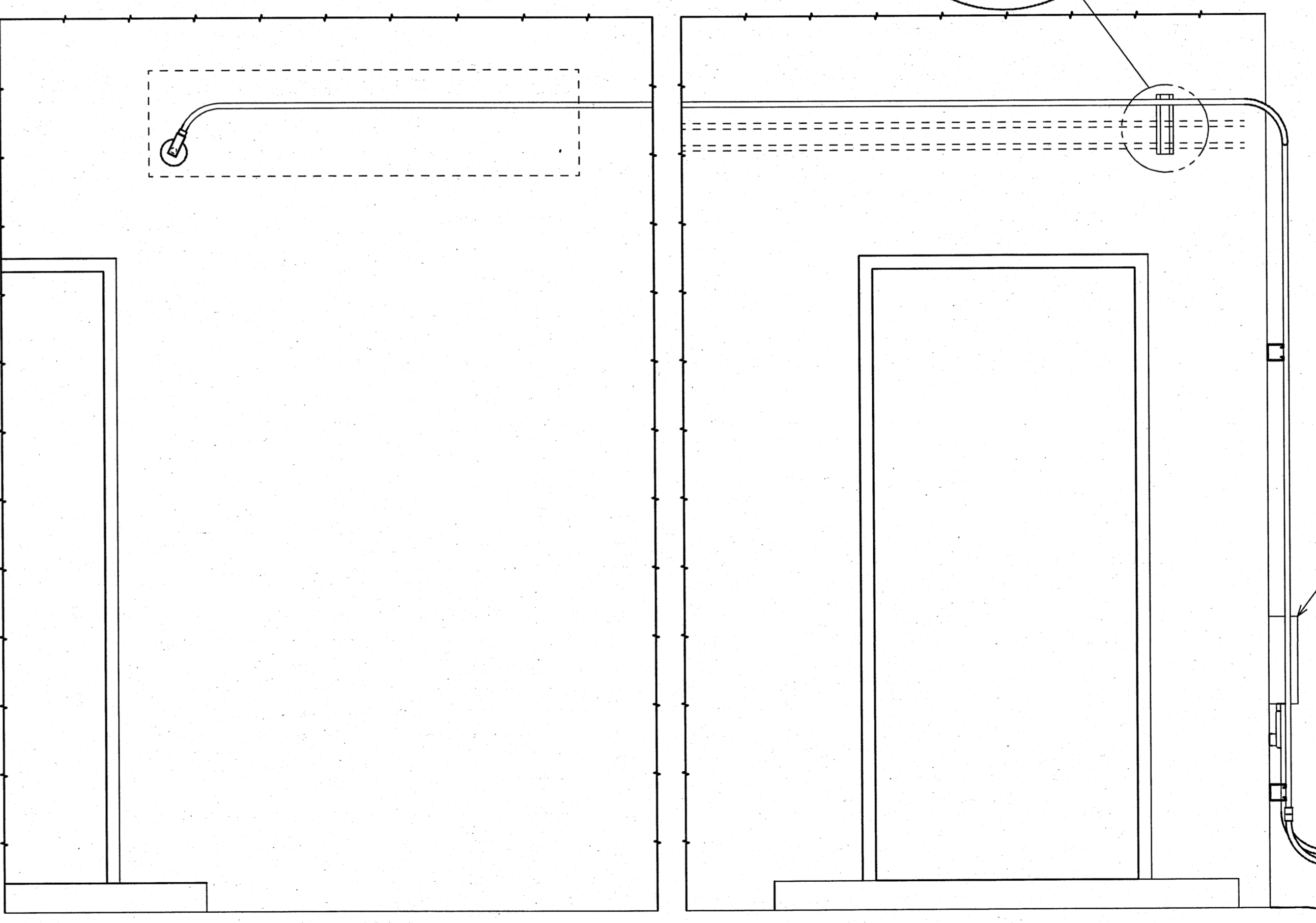


3 SECTION
SCALE: NONE



SECTION 2
SCALE: NONE

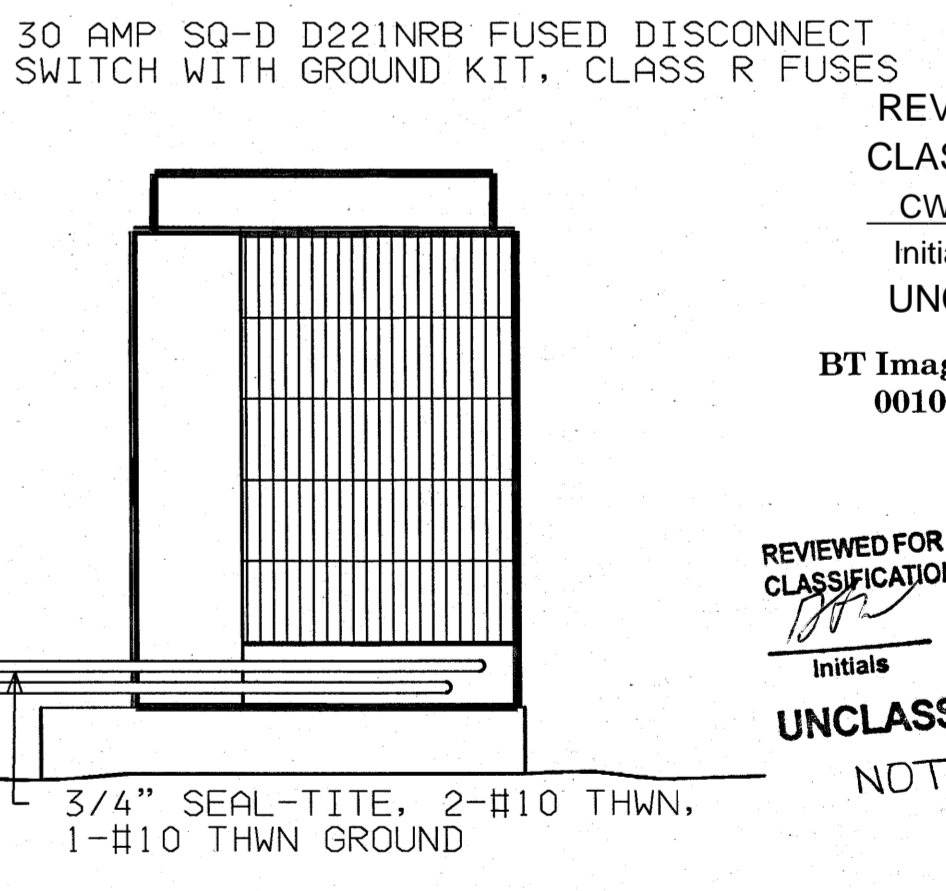
Unclassified



1 SECTION
SCALE: NONE

NOTES:

- 1. REFERENCE DRAWING MSE-19608-A00 FOR LOCATIONS.



REVIEWED FOR CLASSIFICATION
CWW 04/16/2014
Initials Date
UNCLASSIFIED
BT Images, Inc.
00100213

REVIEWED FOR CLASSIFICATION
Initials Date
UNCLASSIFIED
NOT LCNT

THIS DRAWING PRODUCED ON CADAM
DO NOT REVISE MANUALLY

SECTION NUMBER OR DETAIL LETTER	TOLERANCES UNLESS OTHERWISE SPECIFIED
SECTION AND DETAIL KEY	FRACTIONS XX DECIMALS XXX DECIMALS ANGLES BREAK SHARP EDGES MAX. FINISH

"NO REPRESENTATION OR WARRANTY, EXPRESSED OR IMPLIED, IS MADE THAT THE USE OR DISCLOSURE OF ANY INFORMATION, APPARATUS, METHOD OR PROCESS DISCLOSED IN THESE DRAWINGS MAY NOT INFRINGE PRIVATE RIGHTS OF OTHERS. NO LIABILITY IS ASSUMED WITH RESPECT TO THE USE OF, OR FOR DAMAGES RESULTING FROM THE USE OF ANY INFORMATION, APPARATUS, METHOD OR PROCESS DISCLOSED IN THESE DRAWINGS. THE DRAWINGS ARE BEING MADE FOR INFORMATION TO BIDDER AND ARE NOT TO BE USED FOR OTHER PURPOSES, AND ARE TO BE RETURNED UPON REQUEST OF THE FORWARDING CONTRACTOR."

REV. NO.	DATE	APPD.	CHANGE SYSTEM	CHANGE COLOR	CHANGE NUMBER	ISSUE / REVISION DESCRIPTION	DATE	DRW.	CHK.	SECT.	DEPT.	CR.	MD.	TE.	CP.	EE.	CE.	PE.	REG.	SAFETY.	SECURITY.	FIRE.	PLANT.	IND. HY.	ENVI.	GEN.	GE.	TCC.	REVISION OR ISSUE APPROVALS
2						AS BUILT FOR ESO ZA2860																							
1	11/21/98					AS BUILT PER ESO Z9608		GHS	TDG	JSM																			
0						ORIGINAL ISSUE - CFC																							

DRW G. H. SCHAEFER	8/22/96	MARTIN MARIETTA MARTIN MARIETTA UTILITY SERVICES, INC. P.O. BOX 1410 PROUDER, KENTUCKY 42001 ACTING UNDER CONTRACT USEC-HQ-93-C-0001 WITH THE U.S. ENRICHMENT CORPORATION
RED T. D. GROSS	8/27/96	
CHK K. J. BAER	8/29/96	
SECT/APPD J.S. MCKINNEY	9/06/96	
DEPT		
PE		INSTALL DEDICATED AIR CONDITIONER IN C-100 ROOM 100 PARTIAL PLAN AND SECTIONS
PEDH		
PJ/MMUS		
REQUESTER		
NOT REQUIRED		SCALE AS NOTED ID ESO 19608 REV 2
A-E NOT REQUIRED		
DRAWING APPROVALS	DATE	NUMBR OF MODIF S IN THIS DRAWING=1