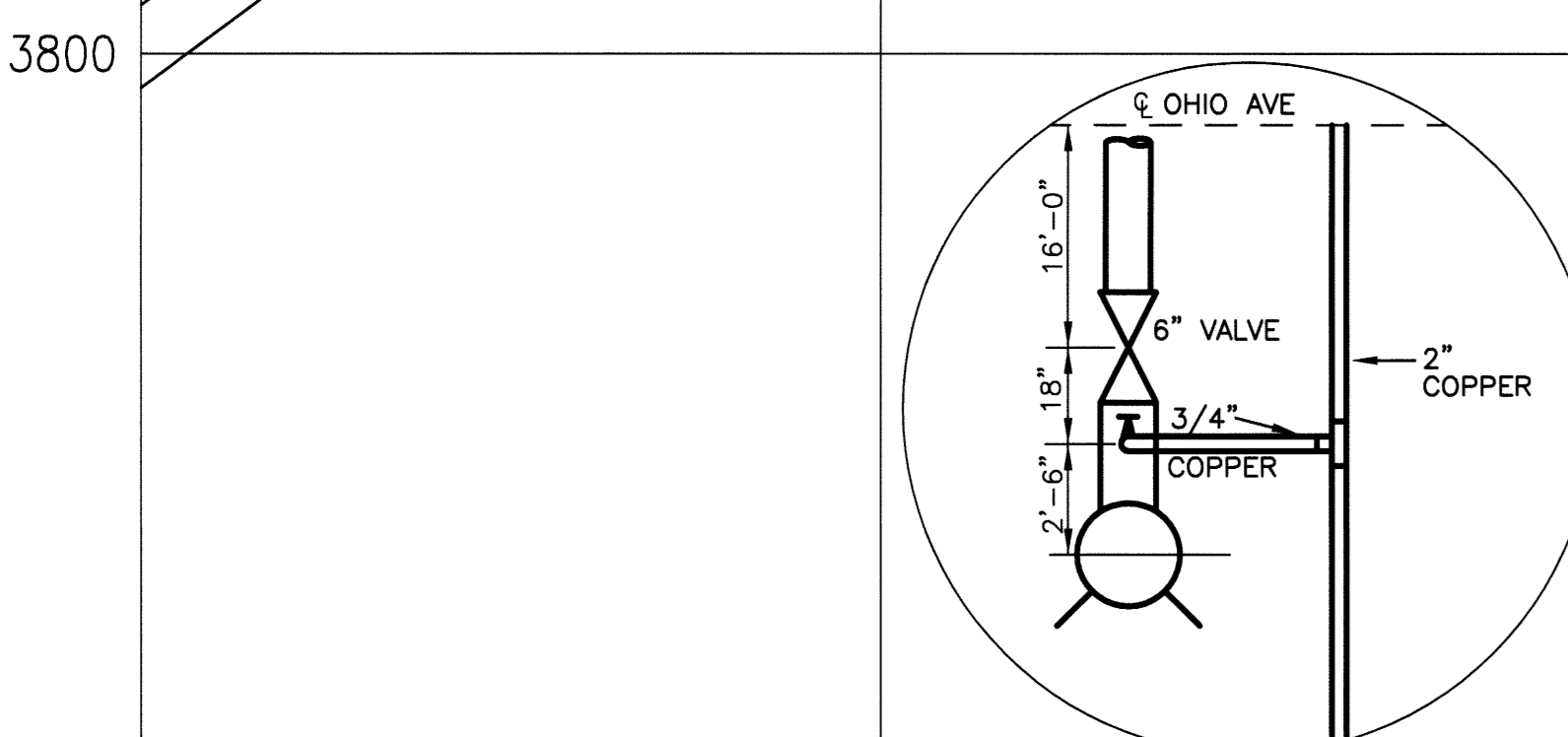


MATCH SHEET 26

MATCH SHEET 28



DETAIL "A"

REVIEWED FOR CLASSIFICATION
LL 06/18/2014
Initials Date
UNCLASSIFIED

KEY
FIRE HYDRANT
GATE VALVE
REDUCER

PERMANENT LINES
TEMPORARY LINES
6" PVC WITH TRACE WIRE TO UDS PLANT
14" HDPE WITH TRACE WIRE TO UDS PLANT