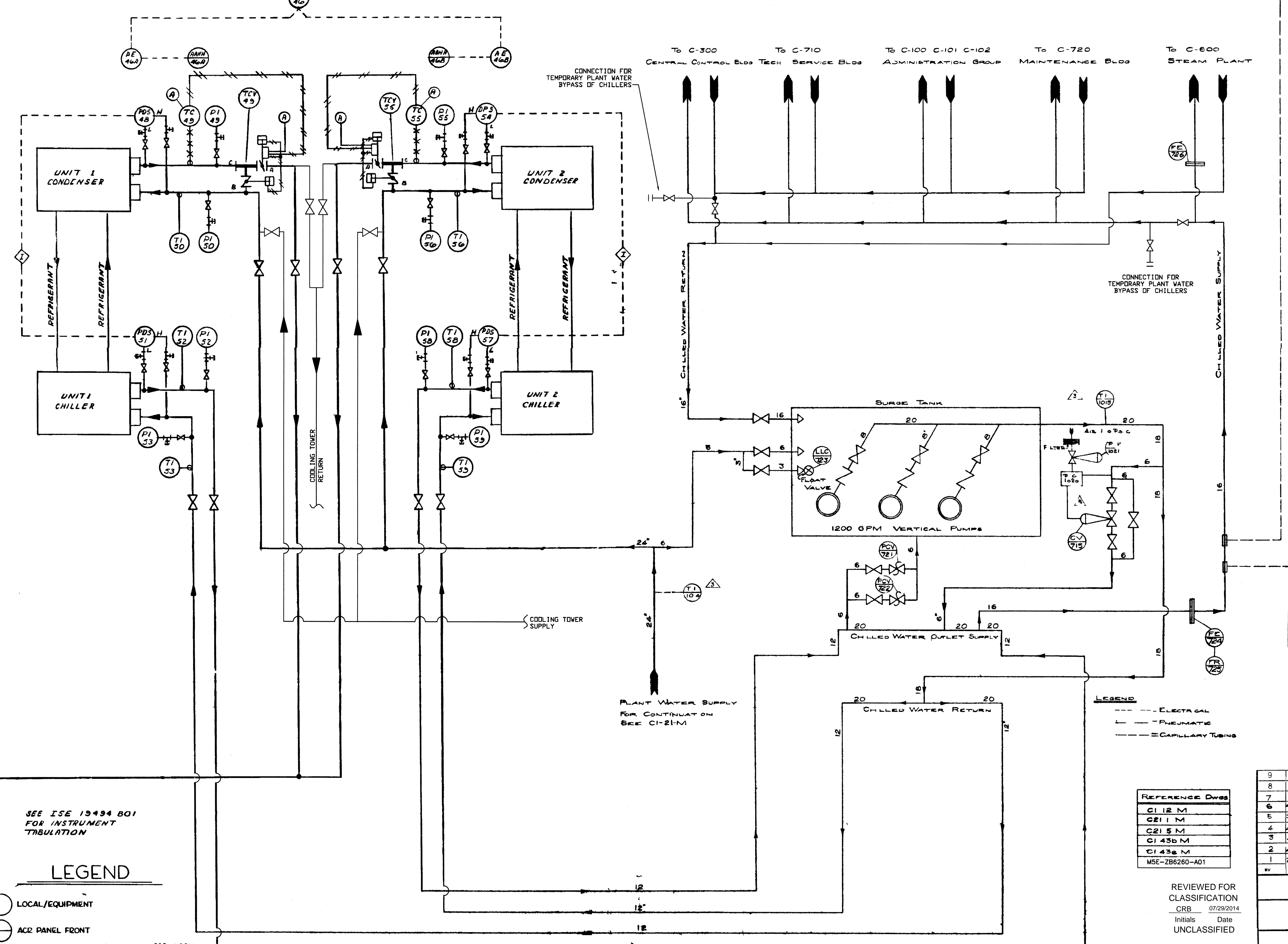


20 LB AIR SUPPLY

TO CONTROL PANEL (XY 45) TO CONTROL PANEL



9	RAF	DAS	DAS	X	TLF	5/25/12
8	DRW	CHKR	RED	TR	APPD	DATE

LEGEND

○	LOCAL/EQUIPMENT	---	CAPILLARY TUBING
○	ACR PANEL FRONT	---	INSTRUMENT CONN
○	ACR PANEL REAR	---	ELECTRICAL SIGNAL
○	LOCAL PANEL FRONT	---	PNEUMATIC SIGNAL
○	LOCAL PANEL REAR		

REFERENCE DWGS

C112 M
C211 M
C215 M
C143b M
C143c M
MSE-ZB6260-A01

REVIEWED FOR CLASSIFICATION
 CRB 07/29/2014
 Initials Date
 UNCLASSIFIED
 Image # 119654

PRIORITY 3

THIS DRAWING PRODUCED ON AUTOCAD
 DO NOT REVISE MANUALLY

10	REV	DRW	CHKR	RE	TR	APPD	DATE	AS BUILT ENTIRE DRAWING FOR ESO ZB6260	ISSUE OR REVISION PURPOSE - DESCRIPTION

9	AS BUILT ENTIRE DRAWING FOR ESO ZB4783		
8	MODIFICATION COMPLETE FOR ESO ZB4940 INCOMP. DCN AT		
7	8453 AS BUILT	8453	NR
6	41153 REVISION REQUEST NO 911	41153	NR
5	31852 REVISION REQUEST 754	31852	NR
4	4244 REVISION REQUEST 547	4244	NR
3	4452 REVISION REQUEST 482	4452	NR
2	2202 CONSTRUCTION	2202	NR
1	2932 APPROVAL	2932	NR

UNITED STATES
 ATOMIC ENERGY COMMISSION
SMITH, HINCHMAN & GRYLLS INC
 ARCHITECTS & ENGINEERS
 DETROIT 26 MICHIGAN
**FLOW DIAGRAM
 CHILLED WATER SYSTEM**

AW	APP	VED-DAT	AW	A	V	AT	D	AW	A	V	AT

PROJECT: 'C PLANT
 SHEET: 8768
 DRAWING: C-600
 SHEET: C1-45-M
 REV: 10