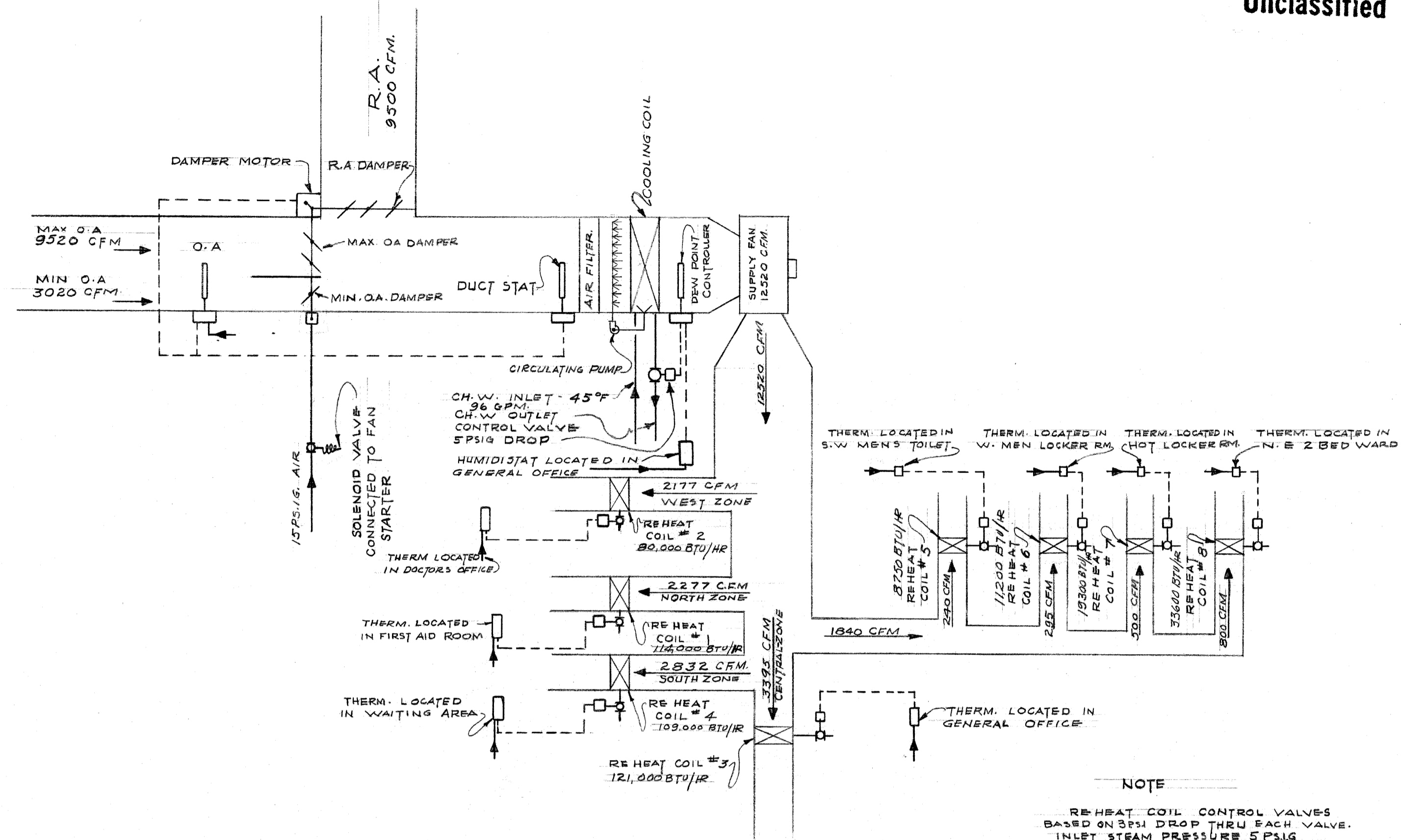


Unclassified



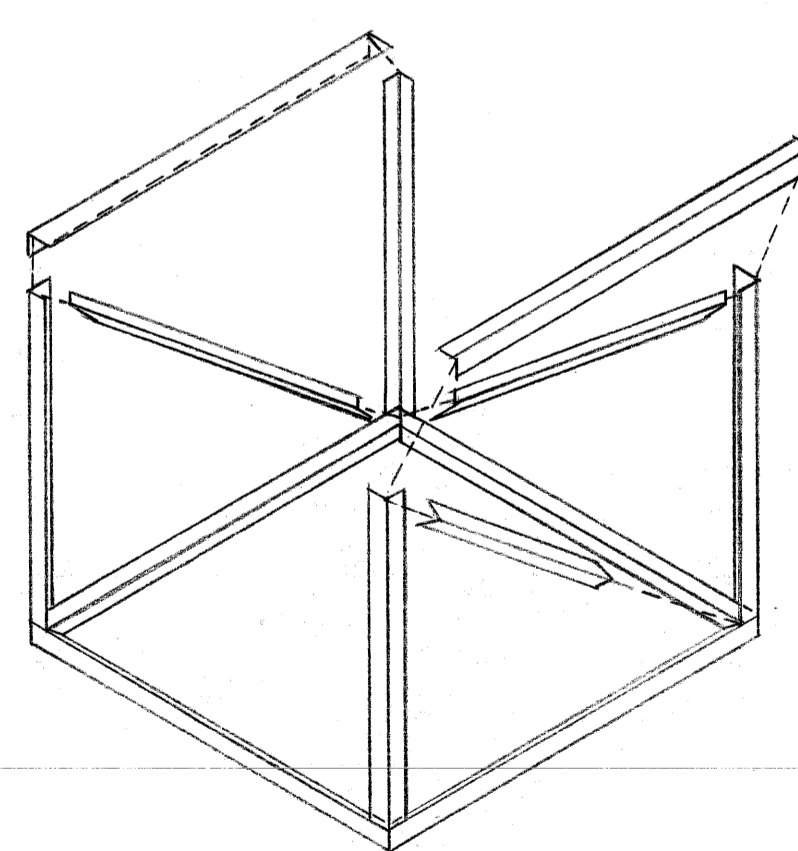
NOTE  
REHEAT COIL CONTROL VALVES  
BASED ON 3 PSI DROP THRU EACH VALVE.  
INLET STEAM PRESSURE 5 PSIG

AIR CONDITIONING UNIT CONTROL DIAGRAM

TRAP SCHEDULE

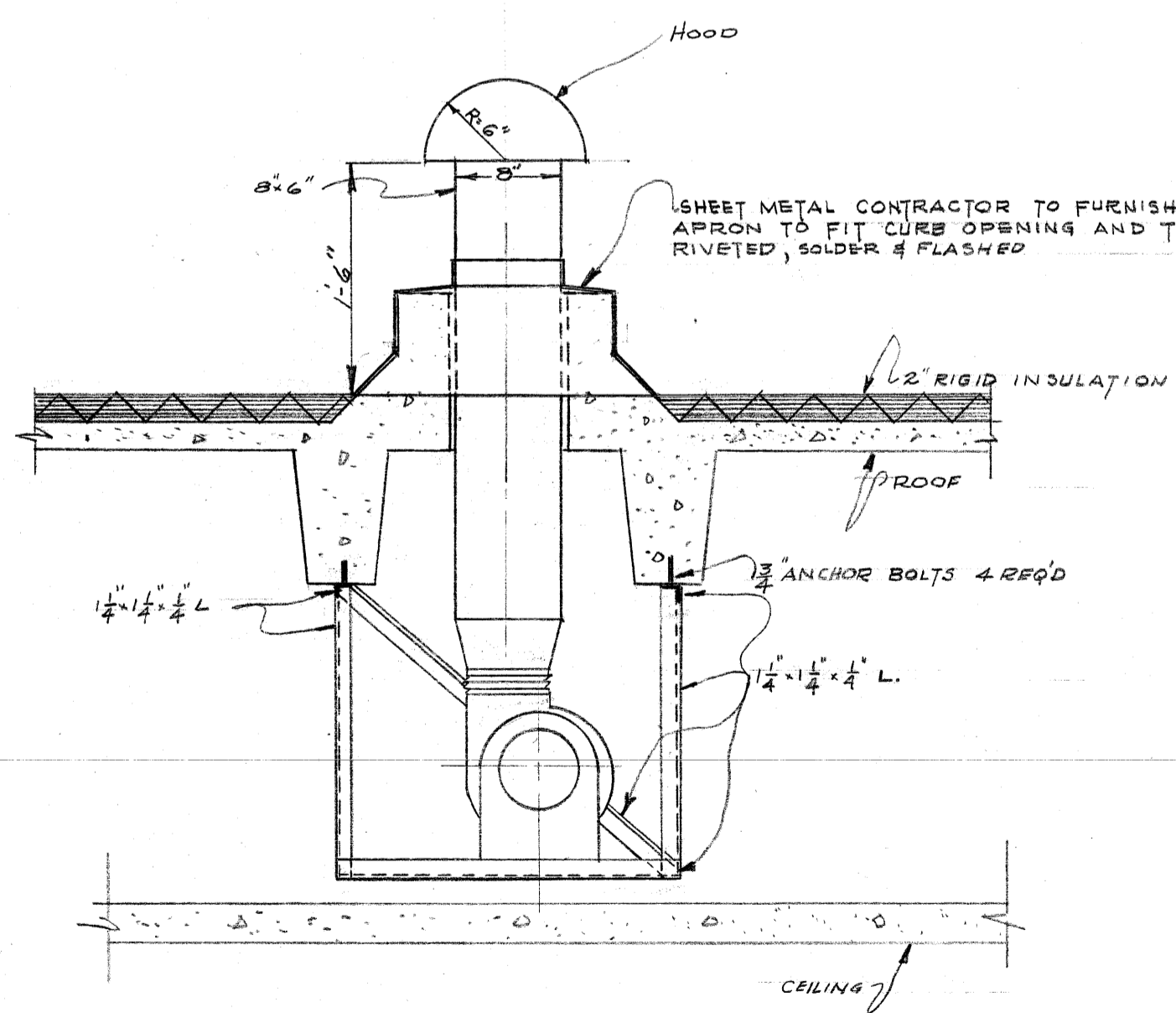
TRAP No	LOCATION	BTU/HR	CONDENSATE #/HR	PRESSURE IN	PRESSURE OUT	STYLE	ORIFICE SIZE	PRESSURE DIFFERENTIAL
1	EQUIPMENT ROOM @ REHEAT COIL #1	4450	5	2	0	GO	9/8"	30 PSI
2	FOR REHEAT COIL #1 IN EQUIPMENT ROOM	114,000	119	2	0	71-D	7/8"	5
3	FOR REHEAT COIL #5 IN ATTIC	8750	9.1	2	0	GO	7/8"	30
4	AUTO CLAVE IN STERILIZING RM.	20,000	21	2	0	GO	7/8"	30
5	DRIP LINE FOR AUTO CLAVE - STERIL RM	2,000	2.1	2	0	GO	7/8"	30
6	BED PAN WASHER IN UTILITY ROOM	1,000	1.1	2	0	GO	7/8"	30
7	AUTO CLAVE #20 PAN WASH SUPPLY DRIP IN EQUIP RM	5,000	3.1	2	0	GO	7/8"	30
8	ATTIC REHEAT COILS SUPPLE DRIP IN EQUIP RM	7300	7.5	2	0	GO	7/8"	30
9	PRESS. REDUCING STATION DRIP	12,500	125	50	0	71-D	1 1/4"	5
10	FOR REHEAT COIL #6 IN ATTIC	11,200	12.1	2	0	GO	7/8"	30
11	FOR REHEAT COIL #7 IN ATTIC	18,300	20.5	2	0	GO	7/8"	30
12	FOR REHEAT COIL #8 IN ATTIC	33,600	35.2	2	0	GO	7/8"	30
13	FOR REHEAT COIL #2 IN EQUIPMENT ROOM	80,000	83	2	0	710	1 1/4"	5
14	FOR REHEAT COIL #3 IN EQUIPMENT RM	121,000	126	2	0	71-D	1 1/4"	5
15	FOR REHEAT COIL #4 IN EQUIPMENT RM	103,000	117	2	0	71-D	1 1/4"	5

BASED ON CLARK INVERTED BUCKET TRAP OR APPROVED EQUAL.  
TRAP SIZE COMPUTED ON BASIS OF 3 TIME CONDENSATE SHOWN ABOVE.



ALL MEMBER 1 1/2" x 1 1/2" x 1/4" FIELD WELDED.

PERSPECTIVE OF TYPICAL FAN SUPPORT



HOOD DETAIL  
SCALE 1" = 1'-0"

DETAIL OF FAN SUPPORTS & ROOF EXHAUST CAP  
SCALE 1" = 1'-0"

UNCLASSIFIED BY 21198  
DATE 11-6-93  
AUTHORITY: ADD  
DATE

CLASSIFICATION CHANGED TO **Unclassified**  
By Authority: **DOE 11-9187**  
Date: **11-6-93**  
Signature of Person Verifying Change: **Sam Wilson 2/2/98**  
Martin Moline, PDDP

BT Images, Inc.  
00000941

REVIEWED FOR CLASSIFICATION  
SM 06/06/2014  
Initials Date  
UNCLASSIFIED

Unclassified

~~THIS MATERIAL CONTAINS INFORMATION OF A CONFIDENTIAL NATURE... UNCLASSIFIED~~

REV. NO.	DATE	ISSUED FOR	BY	APP. DATE
5	11-16-53	AS BUILT		GD/11-16-53
4	11/11/58	DEVIATION REQUEST #623ASME		
3	2-11-59	REVISION REQUEST #336		
2	11-7-51	CONSTRUCTION "B"		11-6-51
1	10-30-49	APPROVAL "A/C"		

UNITED STATES ATOMIC ENERGY COMMISSION	
SMITH, HINCHMAN & GRYLLS, INC. ARCHITECTS & ENGINEERS DETROIT 26, MICHIGAN	
DRAWING TITLE <b>AIR CONDITIONING TEMPERATURE CONTROL &amp; DETAIL</b>	
DRAWING APPROVED - DATE	DRAWING APPROVED - DATE
ARCHITECT ENGINEER	CARBIDE CARBON CHEM. DIV.
DATE	DATE
IN CHARGE	DATE
PROJECT	BUILDING
"C" PLANT	DISPENSARY. C-102
SHEET	B3-15-M