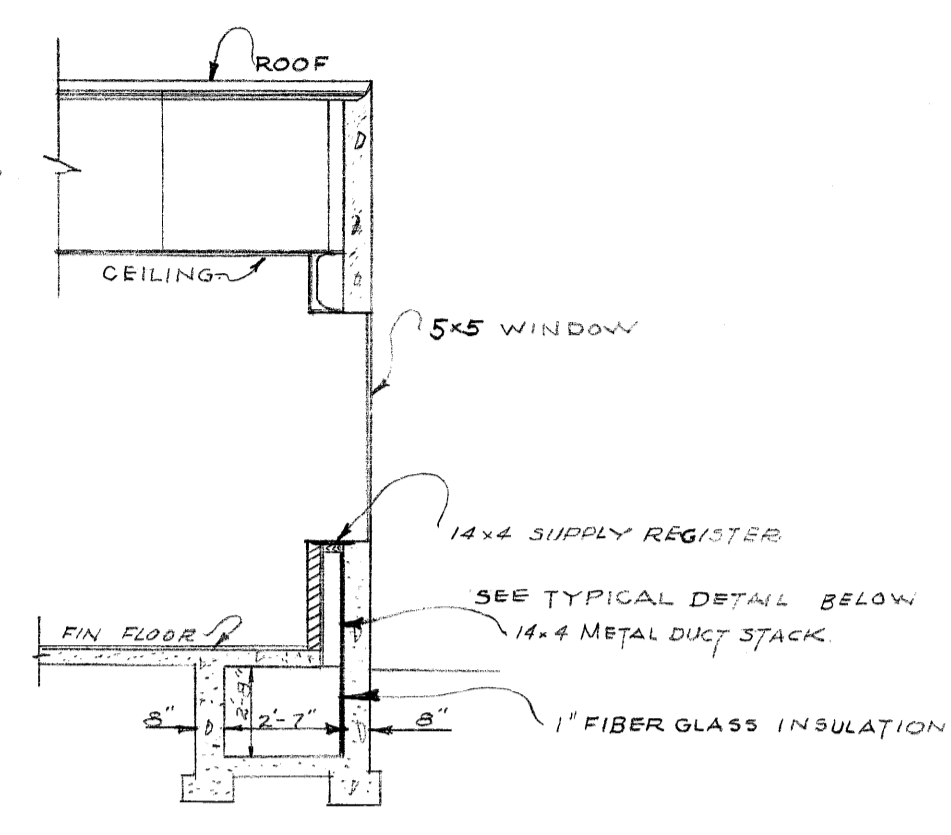
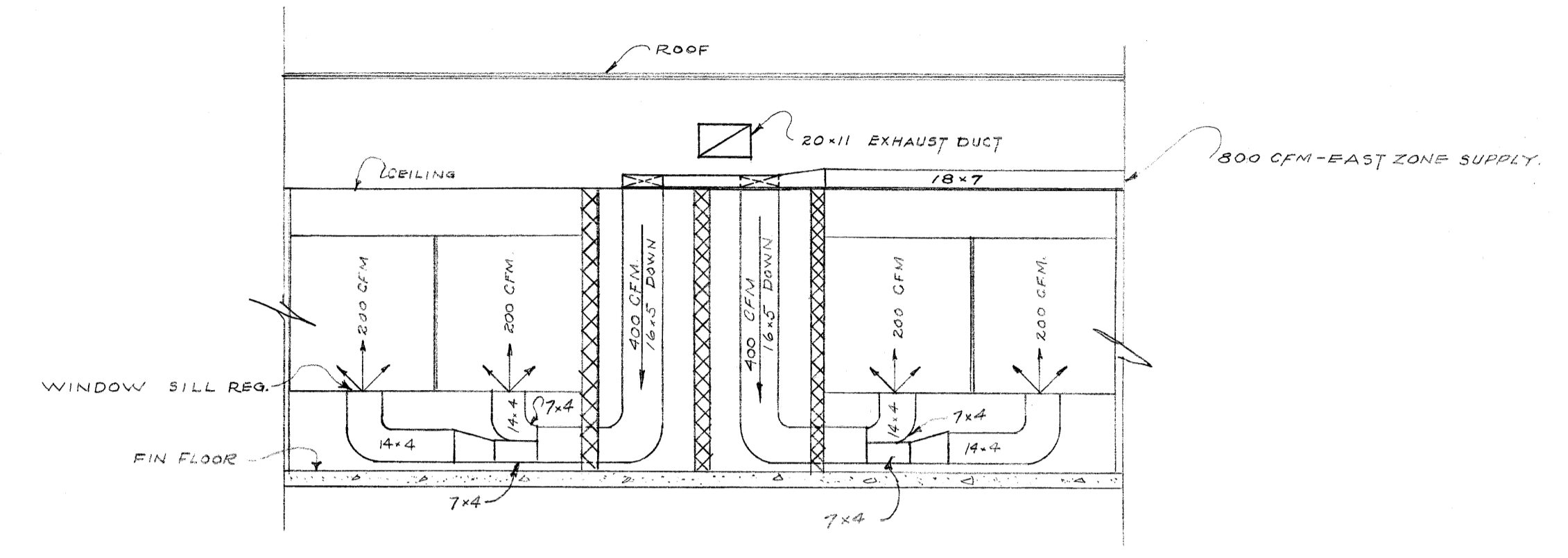


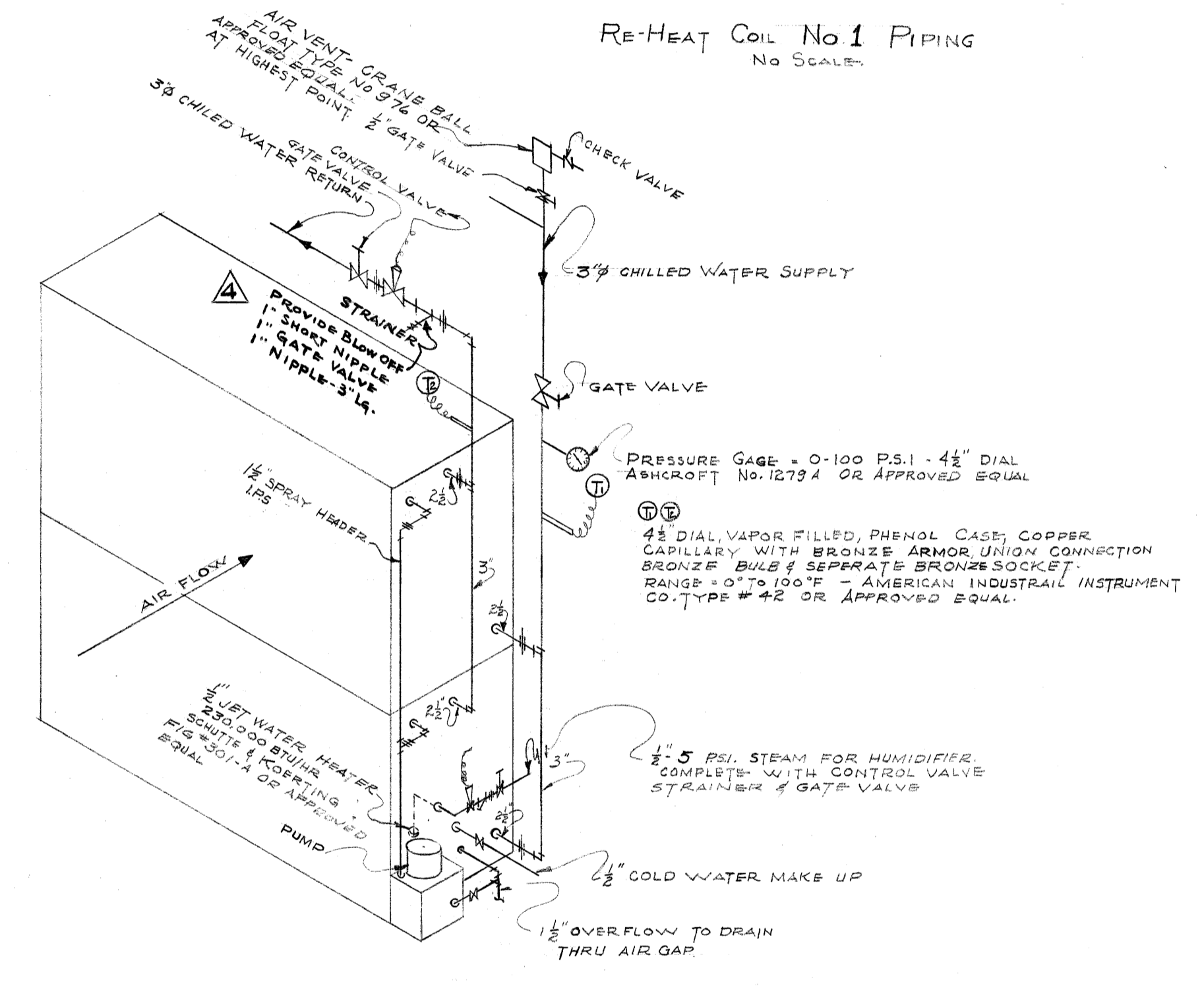
Unclassified



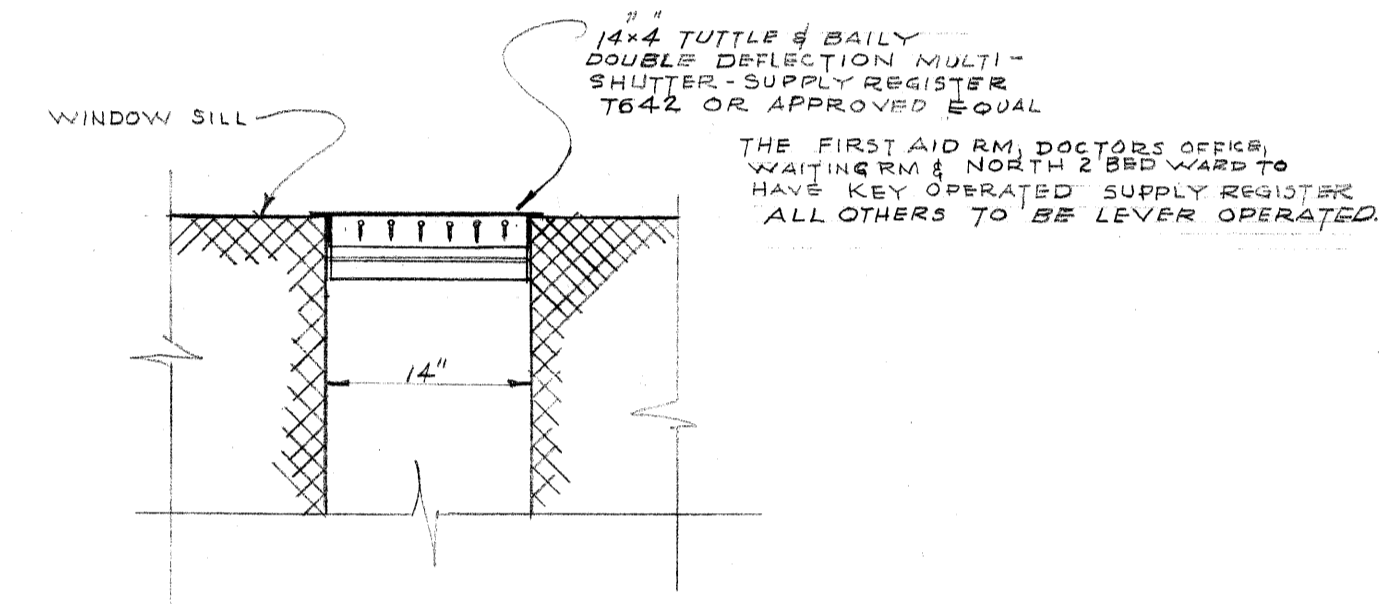
SECTION "B-B" SCALE 1/2"=1'-0"



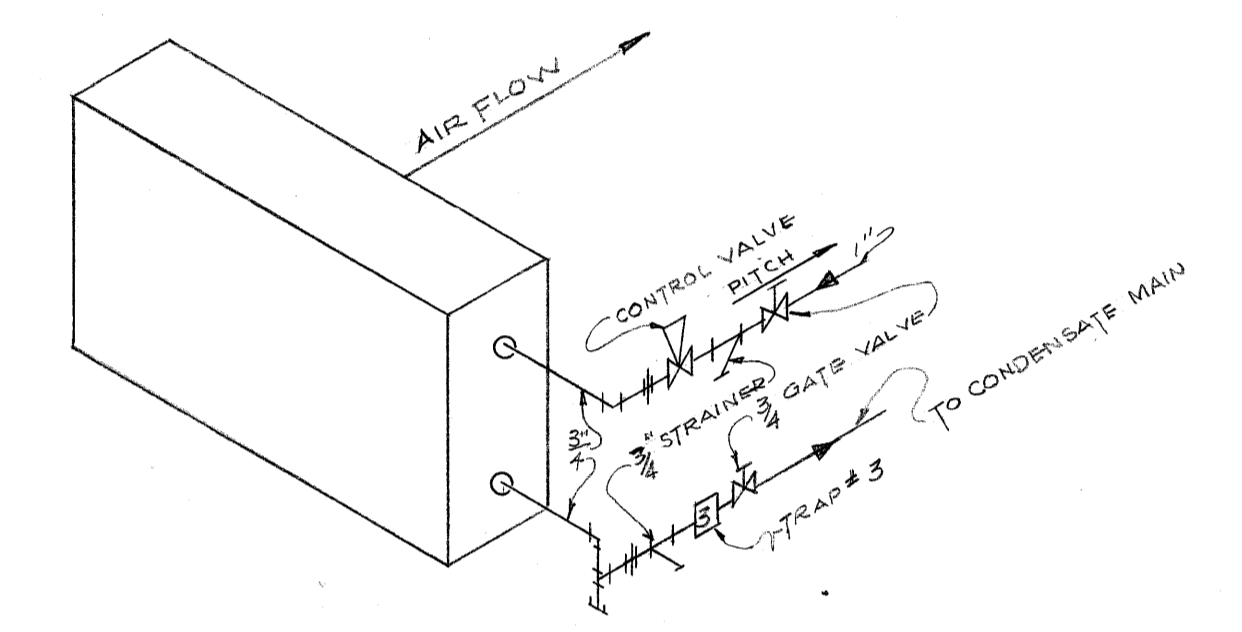
SECTION "A-A" SCALE 1/2"=1'-0"



RE-HEAT COIL No 1 PIPING No SCALE

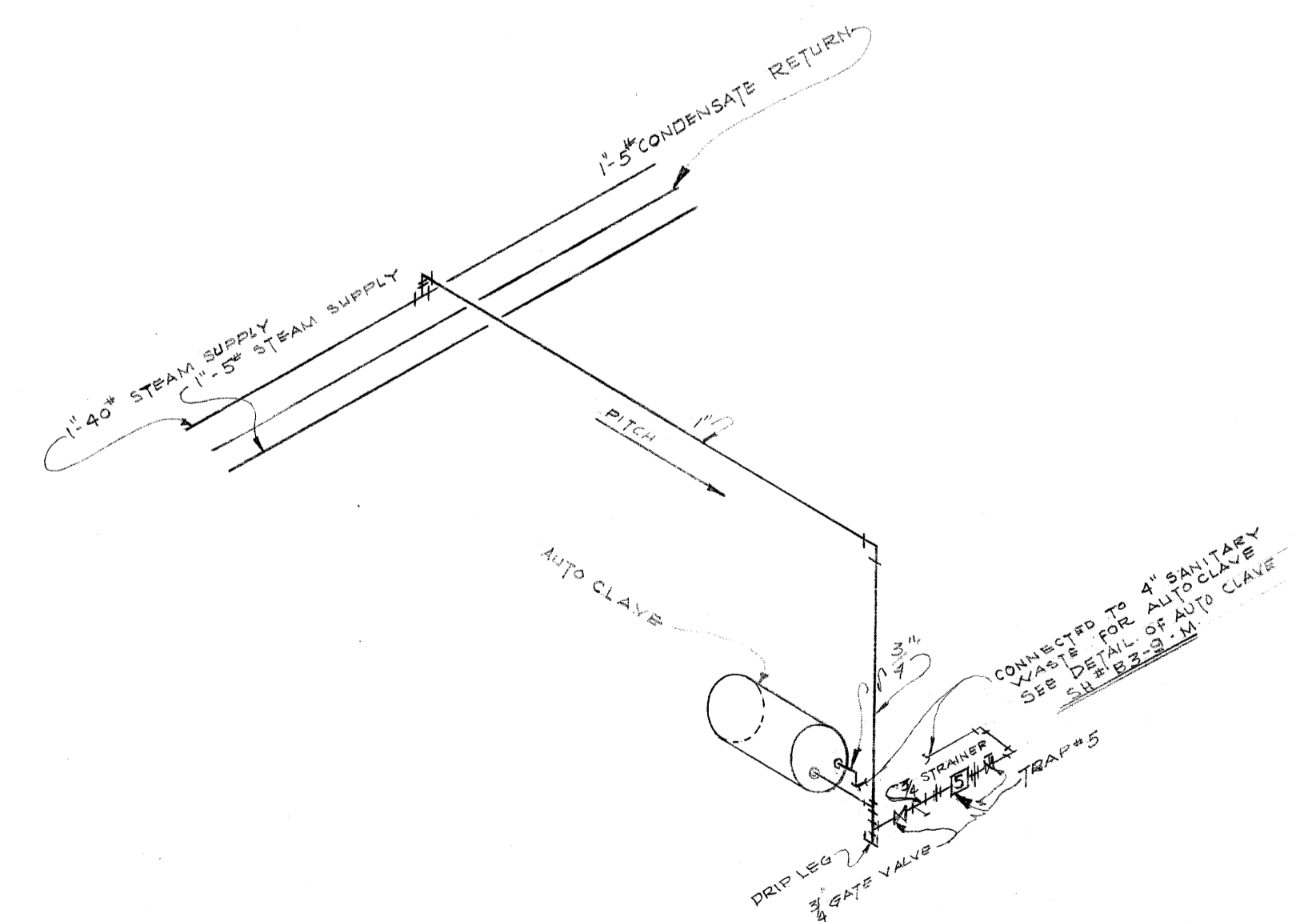


TYPICAL WINDOW SILL SUPPLY ARRANGEMENT SCALE 1/2"=1'-0"

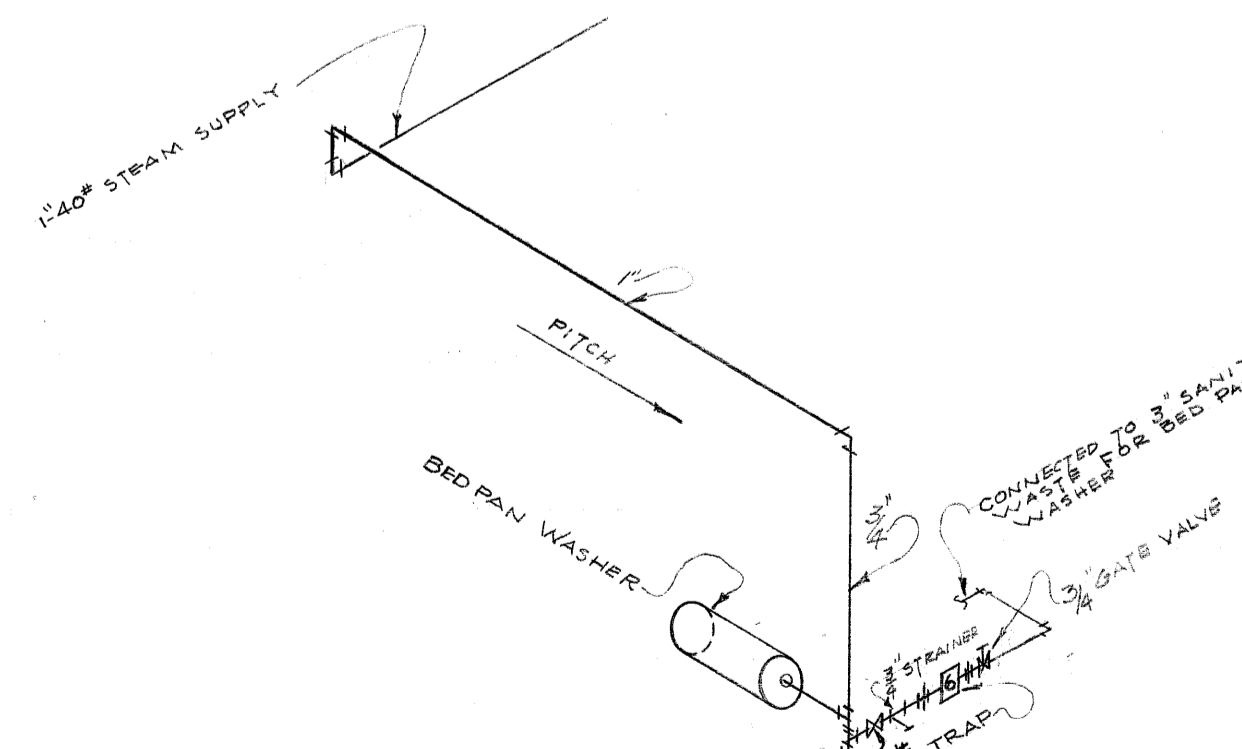


RE-HEAT COILS PIPING - TYPICAL No SCALE

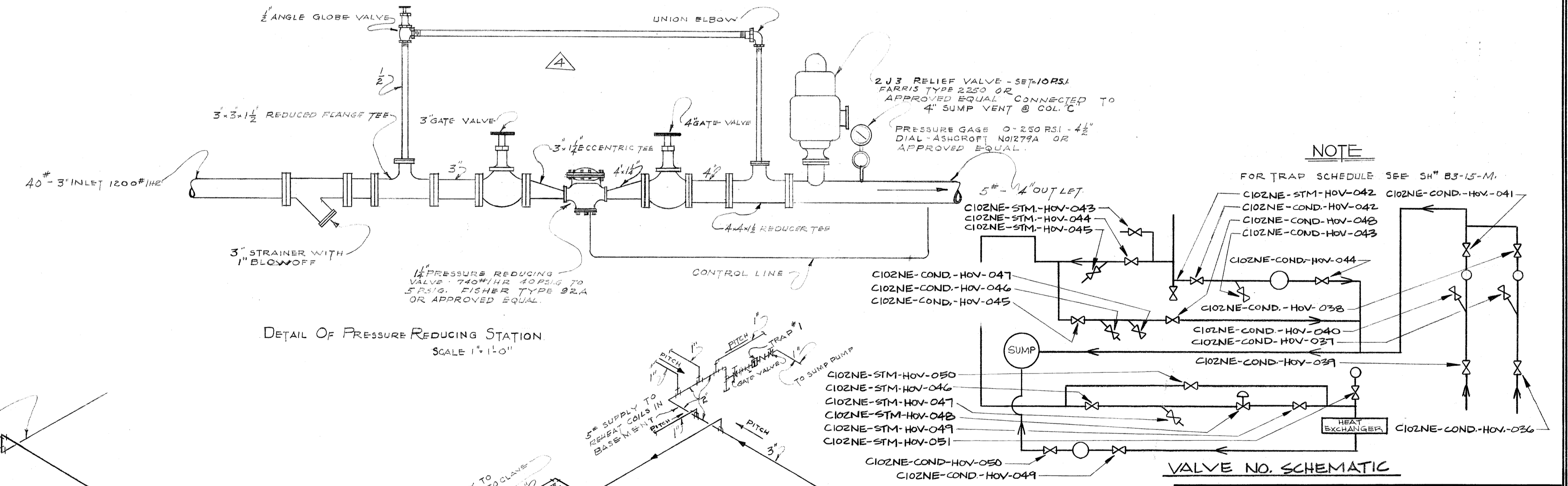
SPRAY COIL UNIT PIPING No SCALE



DRIP CONNECTION FOR AUTO CLAVE No SCALE



DRIP CONNECTION FOR BED PAN WASHER No SCALE



DETAIL OF PRESSURE REDUCING STATION SCALE 1"=1'-0"

VALVE NO. SCHEMATIC

DEPARTMENT OF ENERGY CLASSIFICATION REVIEW
 AUTHORITY: 10 CFR 835.401
 DATE: 2/1/98
 BY: [Signature]
 REASON: [Text]
 CLASSIFICATION: UNCLASSIFIED

CLASSIFICATION CHANGED TO **Unclassified**
 BY AUTHORITY OF [Signature]
 DATE: 2/1/98
 REASON: [Text]

BT Images, Inc.
 00009340

REVIEWED FOR CLASSIFICATION
 WDC 06/06/2014
 Initials Date
 UNCLASSIFIED

Unclassified

REV	DATE	BY	DESCRIPTION
6	11/17/51	RA WALKER	REVISION REQUEST NO 101
5	11-2-51	RJ BROWN	CONSTRUCTION 'B'
4	11-16-53		APPROVAL A+C

REV. NO.	DATE	ISSUED FOR	BY	APP. DATE
6	11-17-51	FOR LOGOUT/TAGOUT		
5	11-2-51			
4	11-16-53			

UNITED STATES ATOMIC ENERGY COMMISSION			
SMITH, HINCHMAN & GRYLLS, INC. ARCHITECTS & ENGINEERS DETROIT 26, MICHIGAN			
DRAWING TITLE			
AIR CONDITIONING DETAILS			
DRAWING APPROVED-DATE	DRAWING APPROVED-DATE	DRAWING APPROVED-DATE	DRAWING APPROVED-DATE
O.J. Kistler 10-27-51	RA WALKER 11-7-51	RJ BROWN 11-2-51	
PROJECT ENGINEER	DESIGN ENGINEER	DESIGN ENGINEER	
DRAWN BY: FONTANESI	CHECKED BY: [Signature]	DATE: 11/16/53	JOB NO: 8768
PROJECT: DISPENSARY C-102	BUILDING: B3-14-M	SHEET: 3	