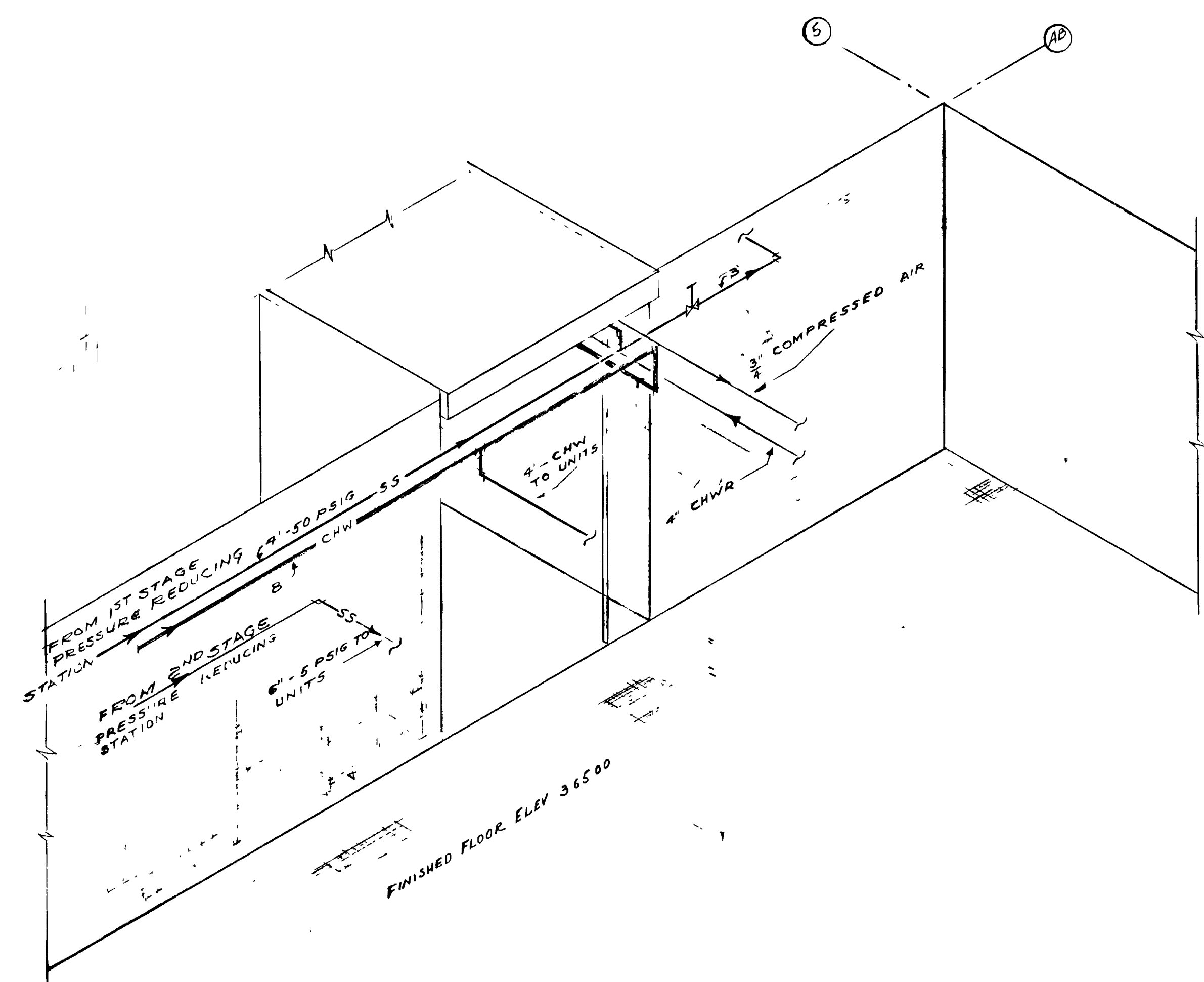
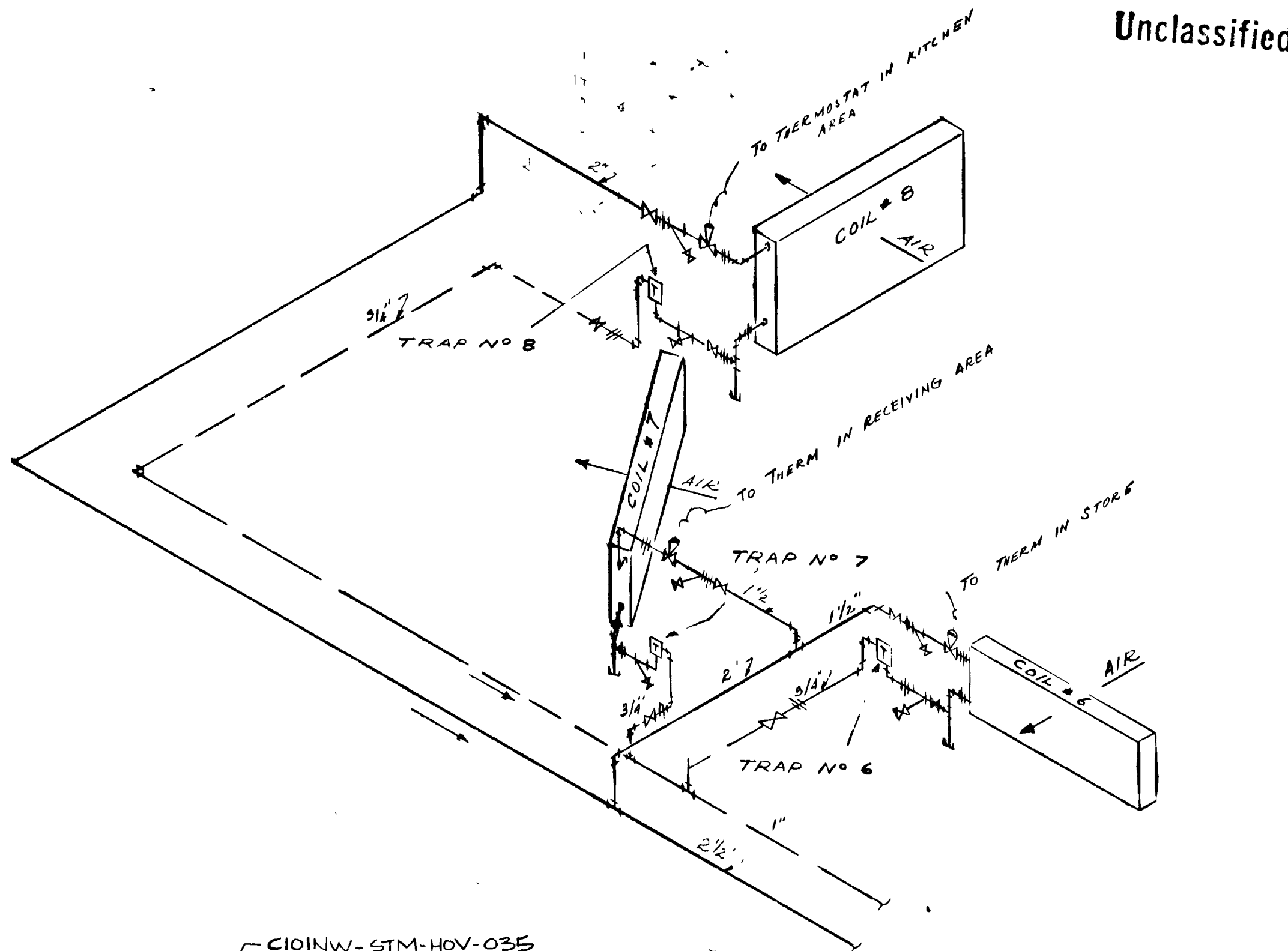


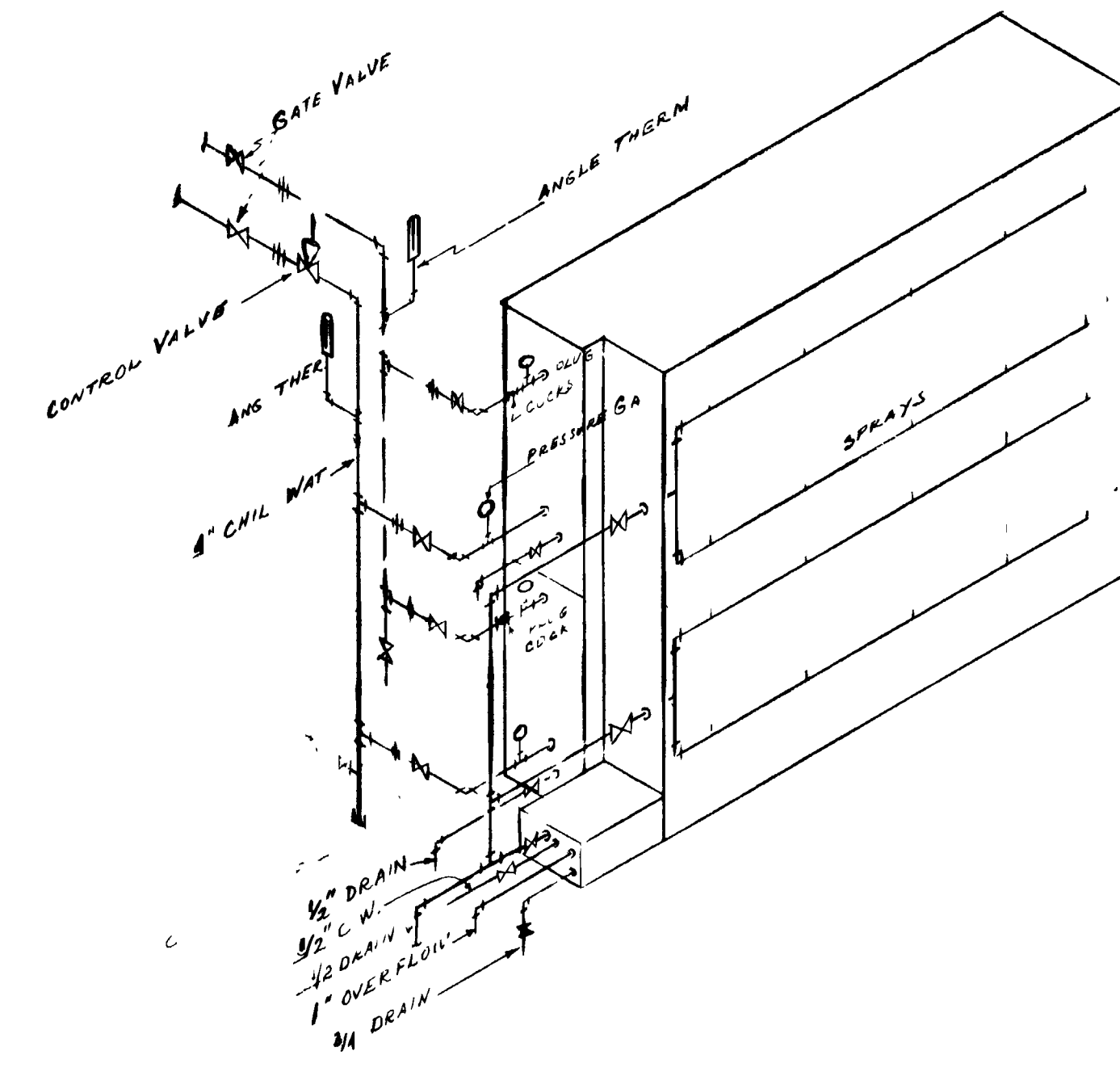
UNCLASSIFIED



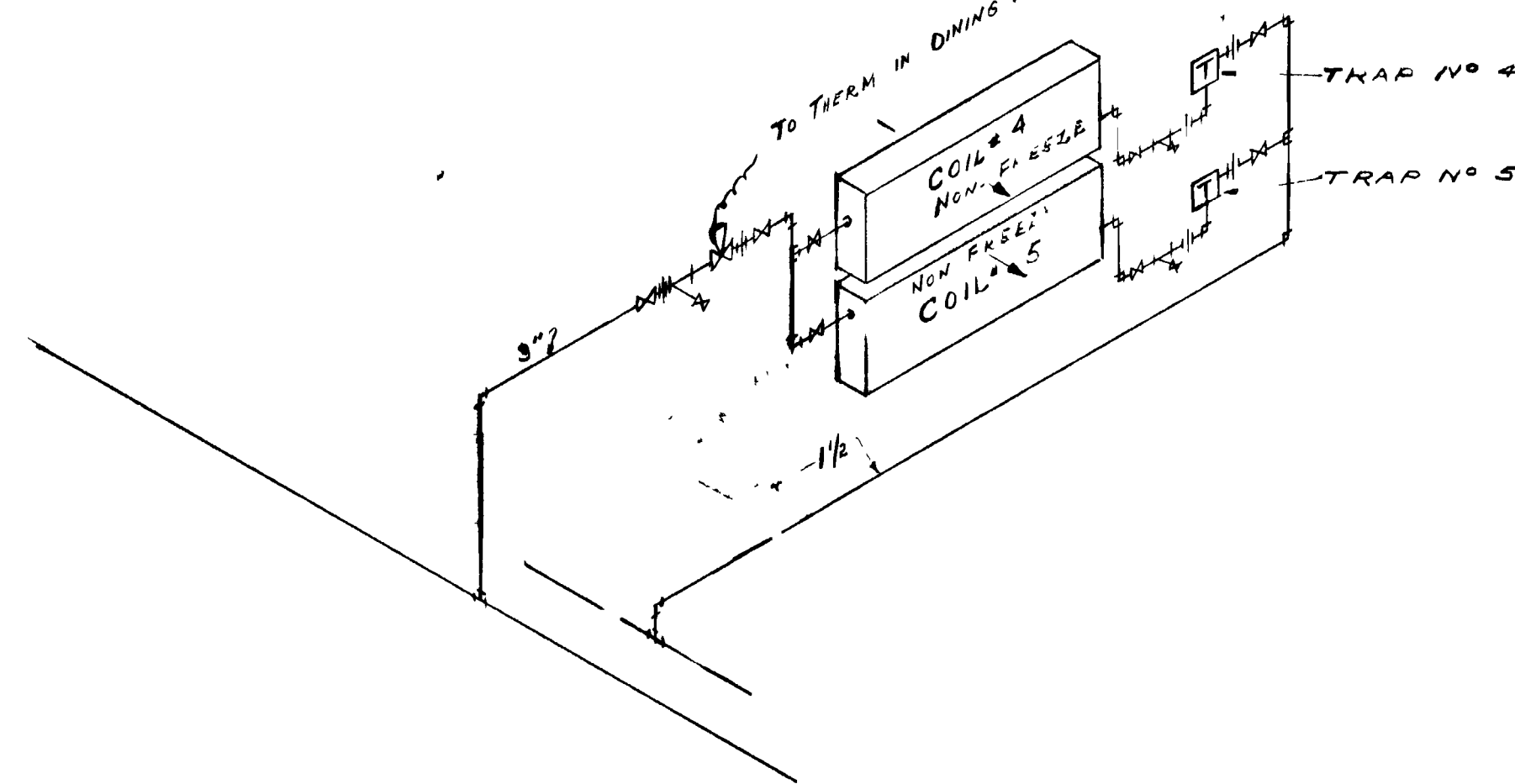
PIPING DETAIL - TUNNEL EXIT
NOT TO SCALE



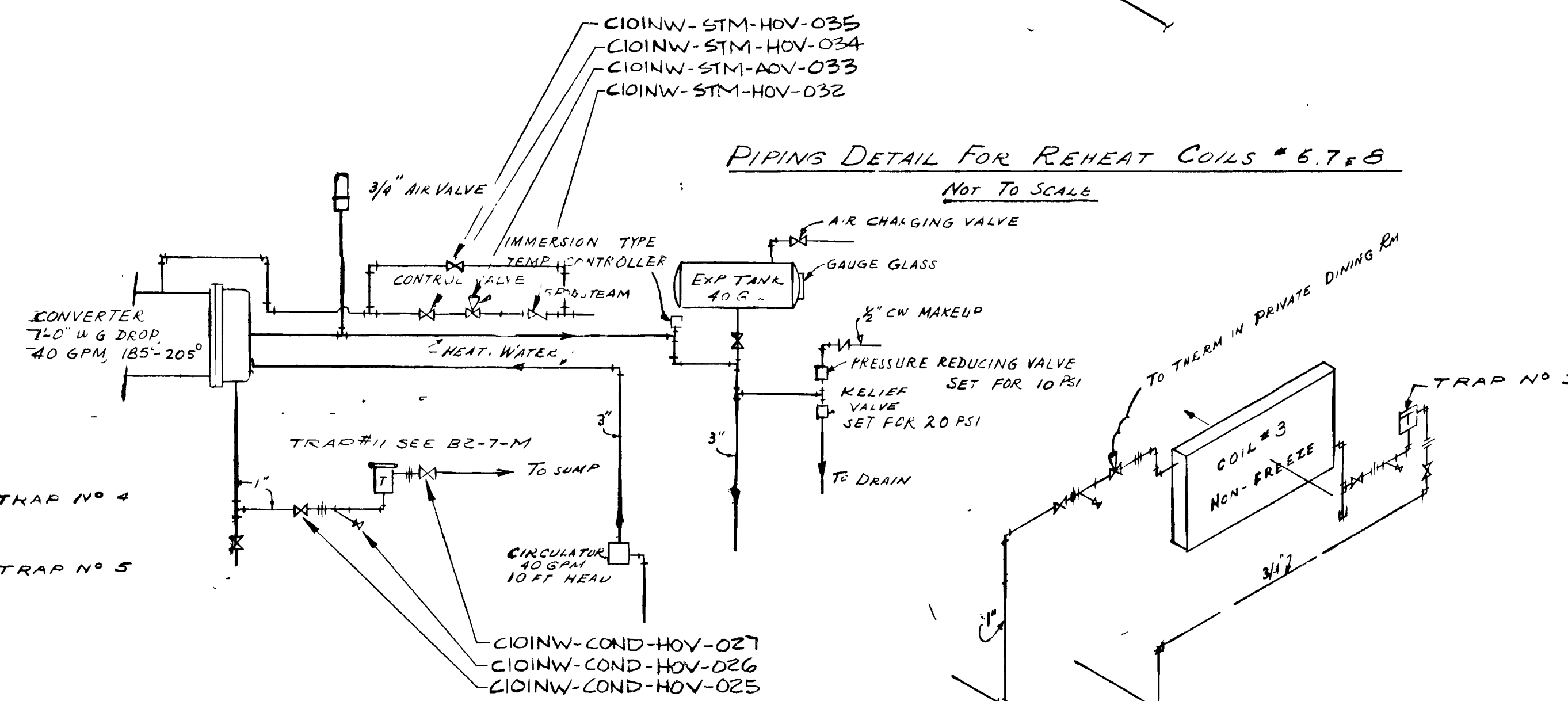
PIPING DETAIL FOR REHEAT COILS # 6, 7 & 8
NOT TO SCALE



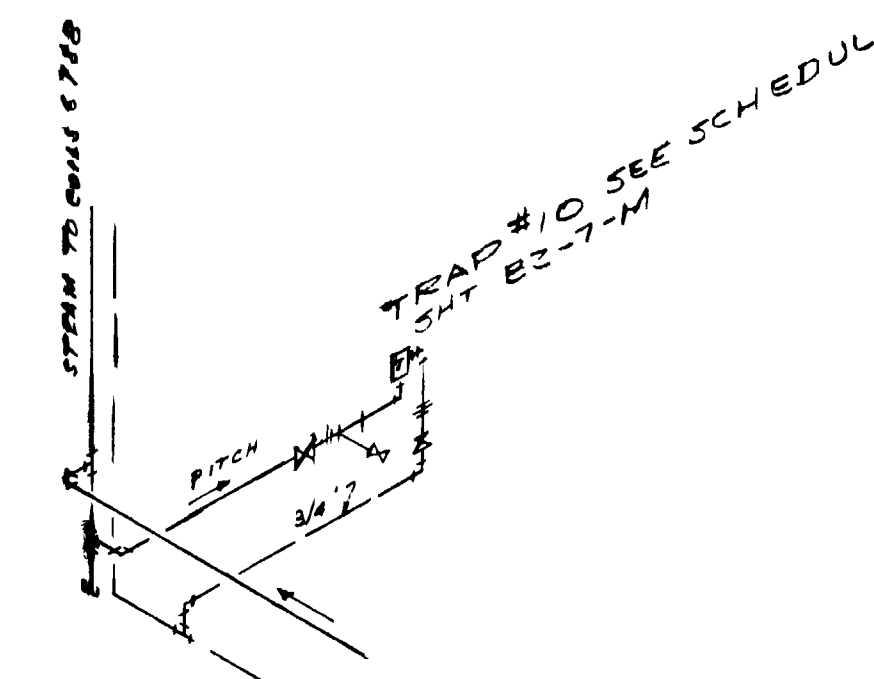
PIPING DETAIL FOR COOLING COILS & HUMIDIFYING SPRAYS
NOT TO SCALE



PIPING DETAIL FOR REHEAT COILS # 4 & 5
NOT TO SCALE

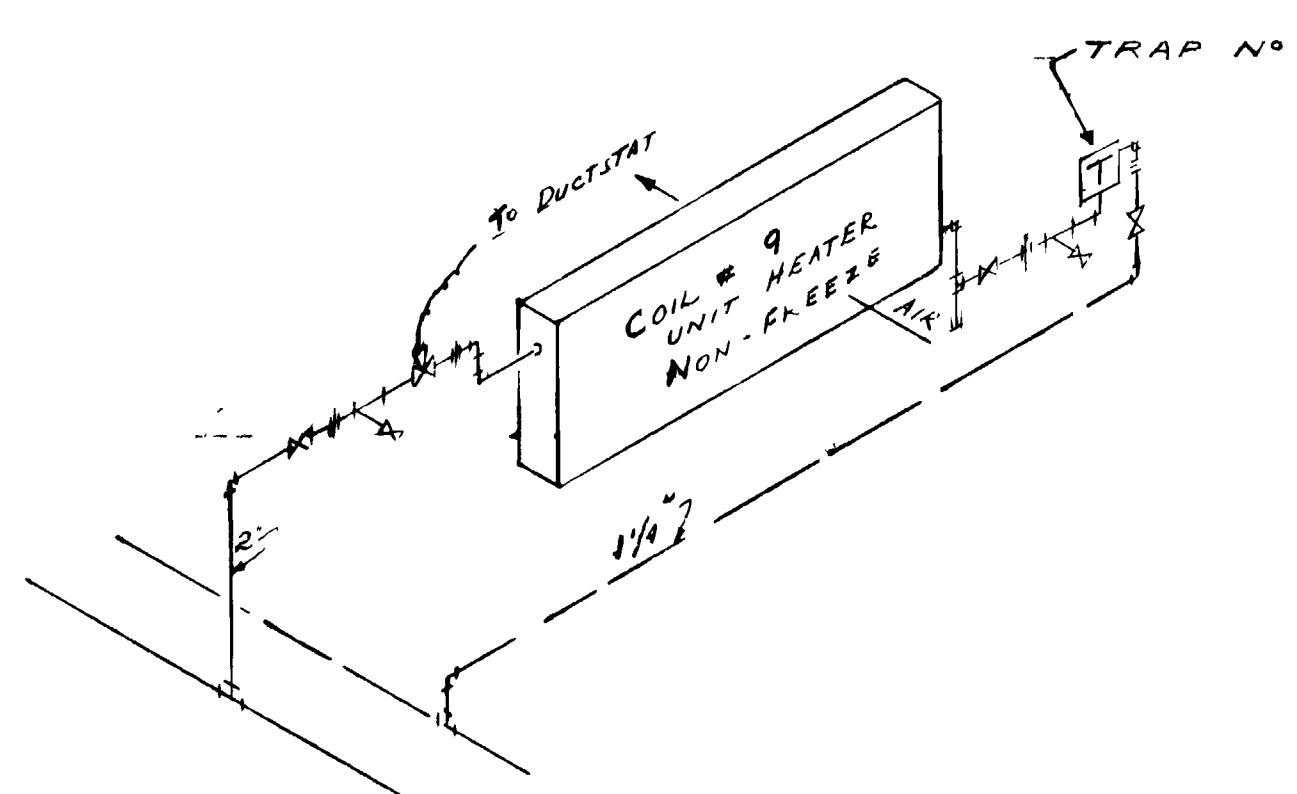


CONVERTOR PIPING DETAIL
NOT TO SCALE

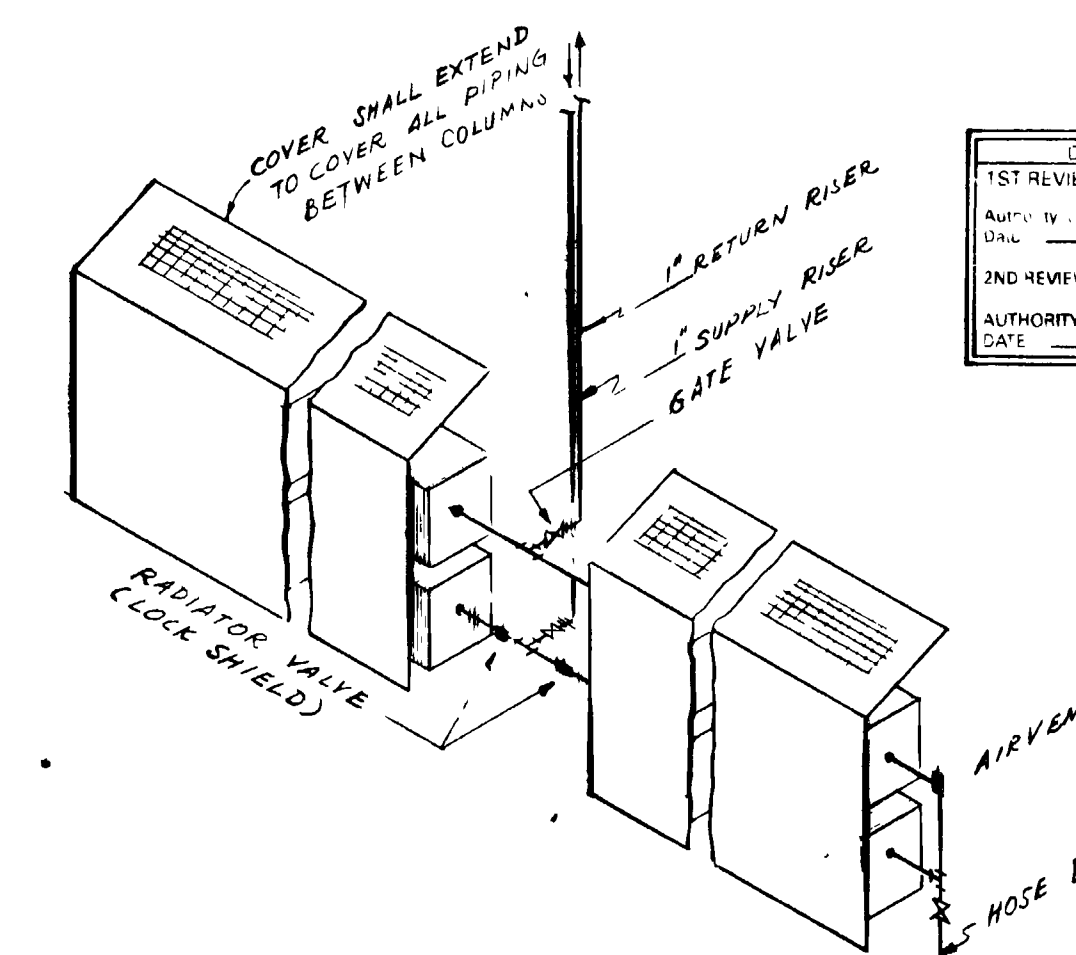


DETAIL OF DRIP CONNECTION FOR RISER TO CEILING - (B2-7-M)

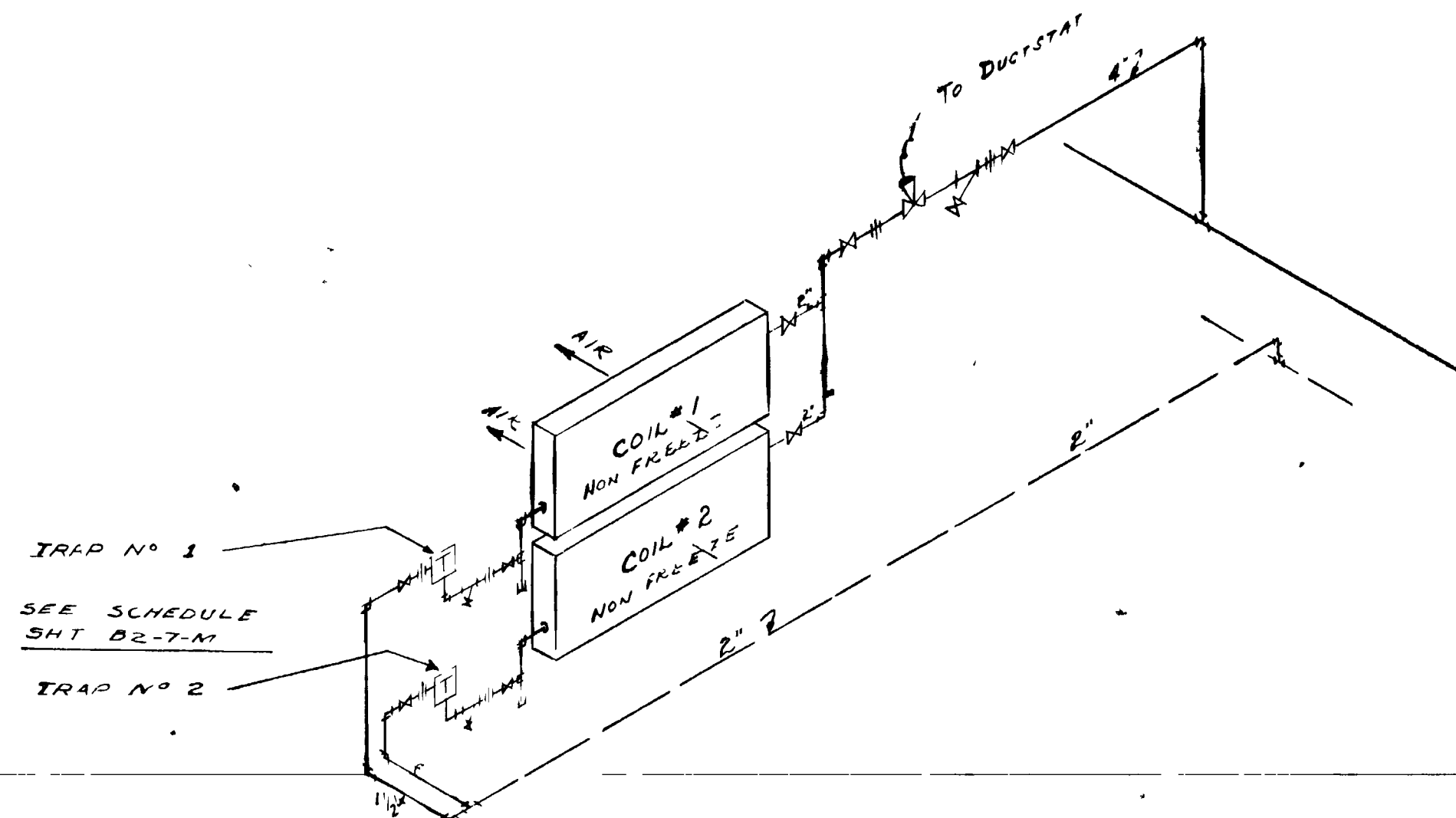
PIPING DETAIL FOR COIL # 3
NOT TO SCALE



PIPING DETAIL FOR UNIT HEATER (COIL # 9)
NOT TO SCALE



TYPICAL RADIATOR CONNECTION
NOT TO SCALE

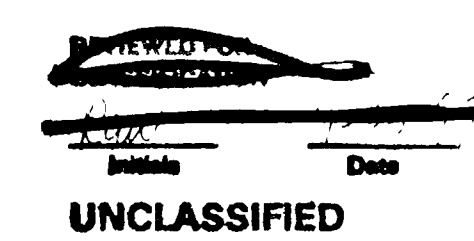


PIPING DETAIL FOR COILS # 1 & 2
NOT TO SCALE

GENERAL NOTES:
 1. ALL TRAPS SHALL BE MOUNTED BELOW THE COIL THEY SERVICE. ALL RETURN LINES SHALL FIT TO WARD THE SUMP 1" IN 40FT.
 2. FOR HEATING COIL & TRAP SCHEDULE, SEE SHEET B2-7-M

REVIEWED FOR CLASSIFICATION
 LL 06/04/2014
 Initials Date
 UNCLASSIFIED

UNCLASSIFIED



UNCLASSIFIED

CLASSIFICATION CHANGED TO UNCLASSIFIED

By Authority of: **DOE 2017 177**
 Date of Change: **1/2/20**
 By: **SAVIL**
 Date: **1/2/20**
 Authority: **SAVIL**
 Date: **1/2/20**

BT Images, Inc
 00000802

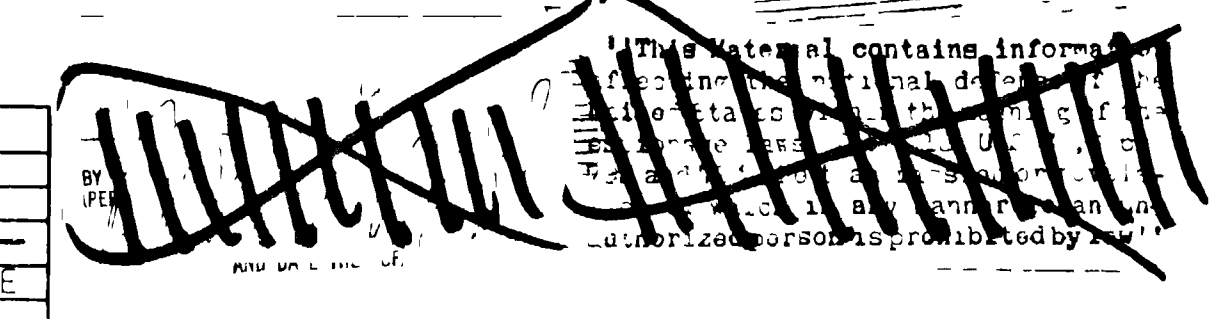
REV NO	DATE	DESCRIPTION	BY	APP DATE
1	12-8-51	CONSTRUCTION	BT	11-19-51
2	12-8-51	CONSTRUCTION	BT	11-19-51
3	11-16-53	AS BUILT	BT	11-16-53
4	11-16-53	ADDED VALVE TO 5\"/>		

UNITED STATES
 ATOMIC ENERGY COMMISSION
 SMITH, HINCHMAN & GRYLLS, INC
 ARCHITECTS & ENGINEERS
 DETROIT 26, MICHIGAN
 DRAWING TITLE

MISCELLANEOUS PIPING DETAILS

DRAWING APPROVED-DATE	DRAWING APPROVED-DATE	DRAWING APPROVED-DATE
11-1-51	11-17-51	11-18-51
ARCHITECT ENGINEER	CARDIE CARSON, CHEM DIV	A. E. C. ENGINEER
DATE CHECKED	DATE	DATE
10-20-51	11-17-51	11-17-51
IN CHARGE	DATE	DATE
10-20-51	11-17-51	11-17-51
PROJECT	BUILDING	SHEET
CAFETERIA	C-101	B2-9-M

REV	SHEET	DATE	BY	CHK	SEC	DR	DR	DR	DR	DR	DR	DR	DR	DR	DR	DR	DR	DR	DR	DR	
4																					



UNCLASSIFIED

UNCLASSIFIED

UNCLASSIFIED