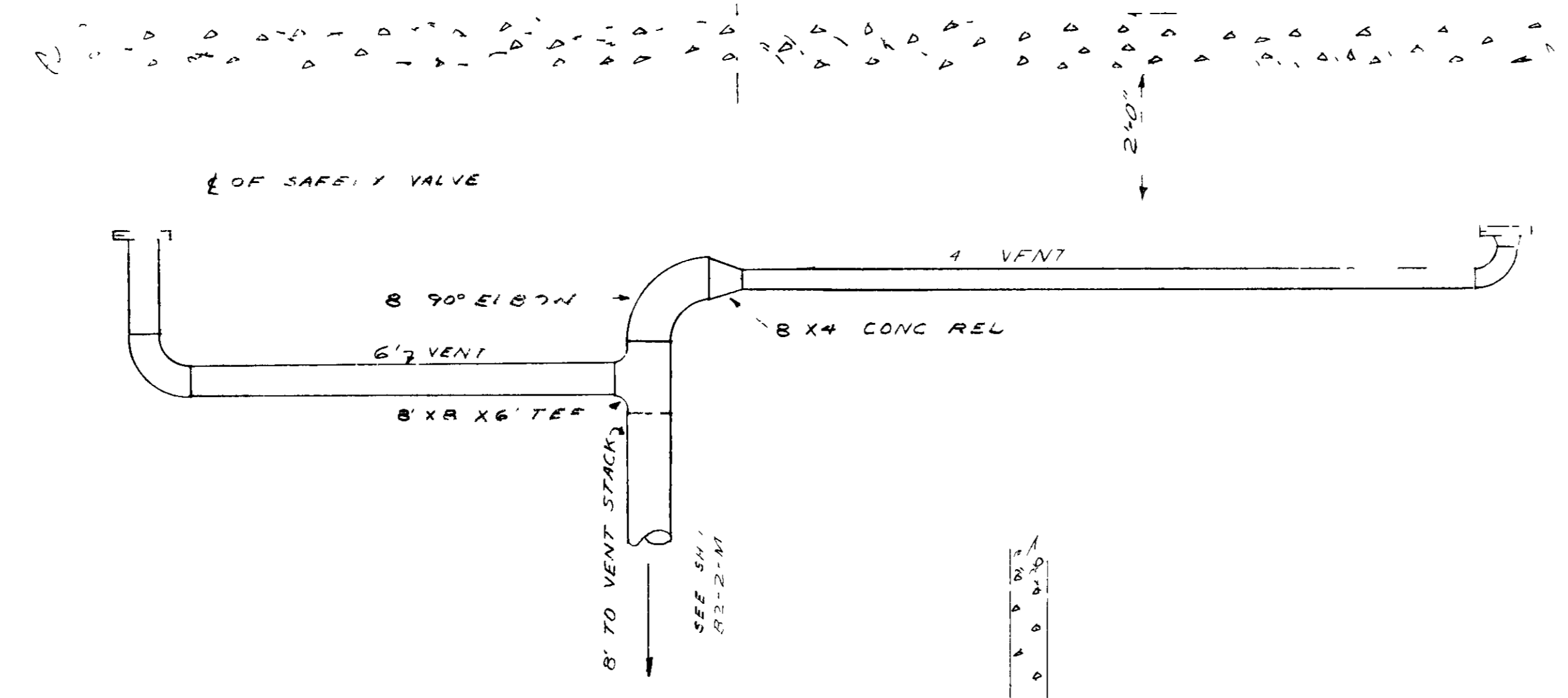
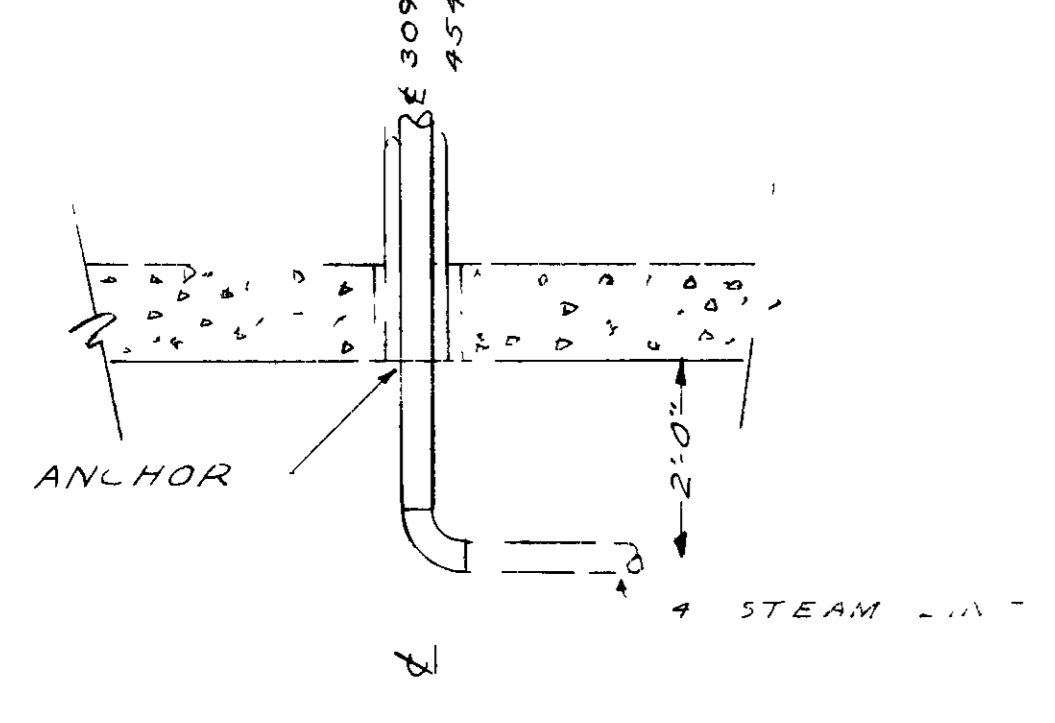
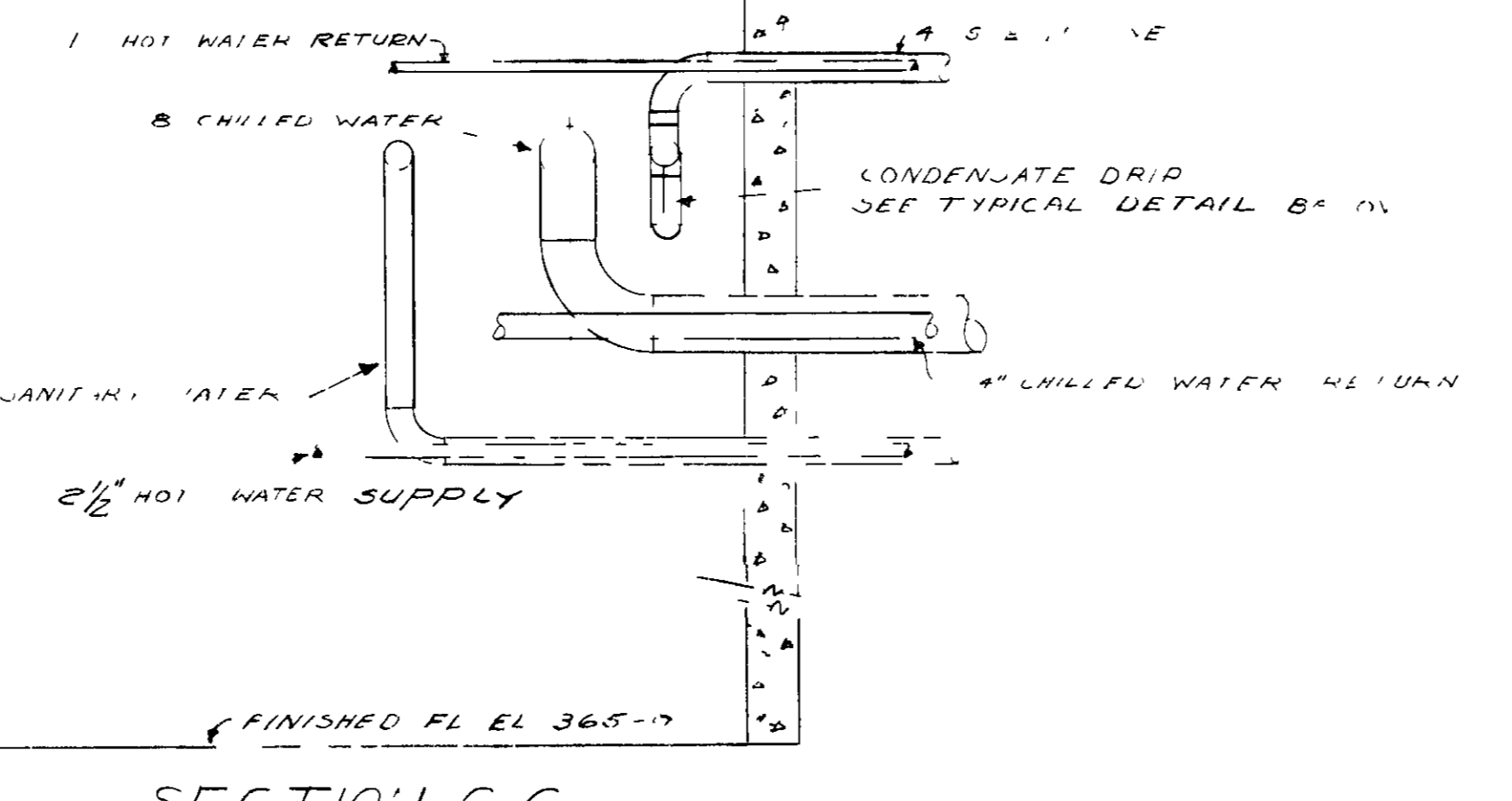


SECURITY INFORMATION

Unclassified



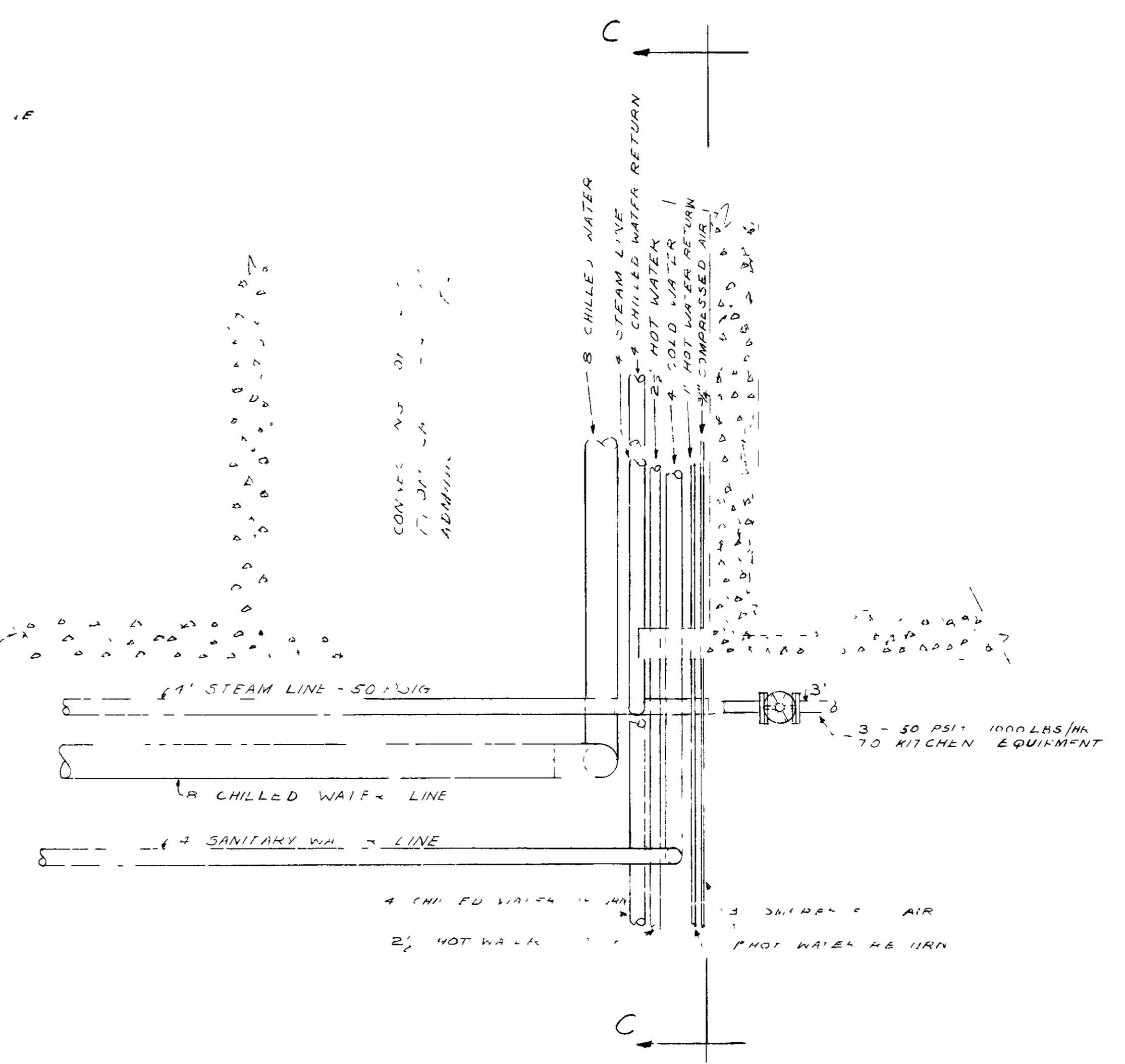
PLAN VIEW OF VENT CONNECTION



TRAP SCHEDULE

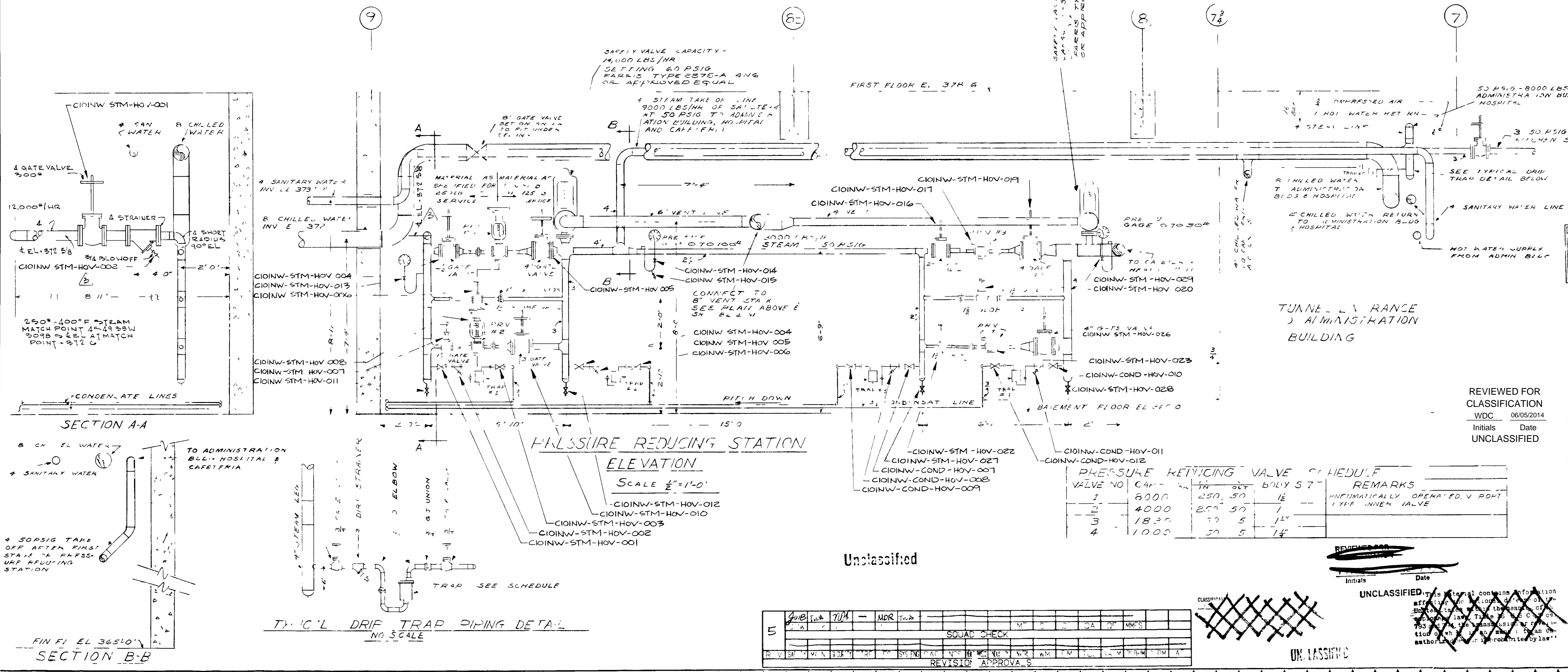
TRAP NO.	TRAP SIZE	TRAP TYPE	SERIES	IPS	INCH	PSI	REMARKS
1	50	217	5	70	1/2	1	150
2	50	50	5	60	3/4	1	15
3	20	57	5	60	3/4	1	15
4	20	5	0	60	3/4	1	30
5	20	60	5	60	3/4	1	75

ALL TRAPS SHALL BE SIZED TO ACCOMMODATE 3 TIMES THE NORMAL CONDENSATE LISTED ABOVE. TRAPS SHALL BE OF CLARK MANUFACTURE OR APPROVED EQUIVALENT.



PLAN OF PIPING AT TUNNEL ENTRANCE

CLASSIFICATION CHANGED **Unclassified**  
 By Authority of **DOE**  
 Date **2/2/98**  
 Verified by **John Miller**  
 Martin Marietta, PCOR



REV	NO.	DATE	DESCRIPTION
1	1	1/16/83	ADDED VALVE NO'S FOR RECORD/TAKEOUT
2	2	1/16/83	REVISION REQUEST NO 508
3	3	1/16/83	CONSTRUCTION E
4	4	1/22/83	APPROVAL A-C

REVIEWED FOR CLASSIFICATION  
 WDC 06052014  
 Initials Date  
 UNCLASSIFIED

REV	NO.	DATE	DESCRIPTION
5	5	1/16/83	ADDED VALVE NO'S FOR RECORD/TAKEOUT
6	6	1/16/83	REVISION REQUEST NO 508
7	7	1/16/83	CONSTRUCTION E
8	8	1/22/83	APPROVAL A-C

UNITED STATES  
 ATOMIC ENERGY COMMISSION

SMITH, HINCHMAN & GRYLLS, INC  
 ARCHITECTS & ENGINEERS  
 DETROIT 26, MICHIGAN

AIR CONDITIONING  
 STEAM PRESSURE REDUCING STATION

8768

C-101

B2-II-M

NO.	DATE	BY	DESCRIPTION
1	1/16/83	...	...
2	1/16/83	...	...
3	1/16/83	...	...
4	1/16/83	...	...
5	1/16/83	...	...

Unclassified

MICROFILMED