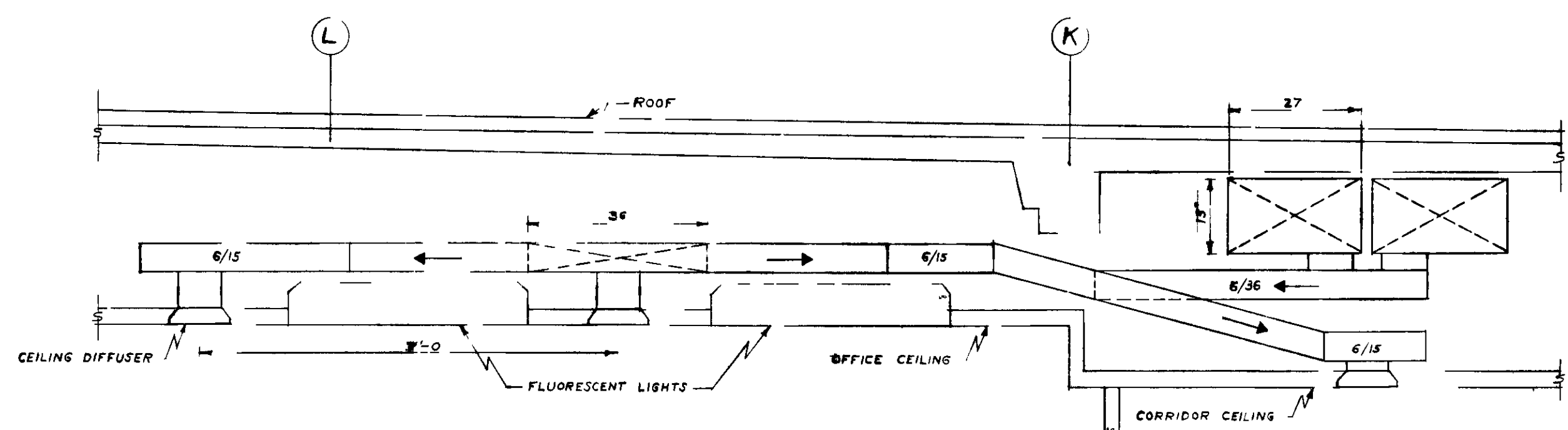


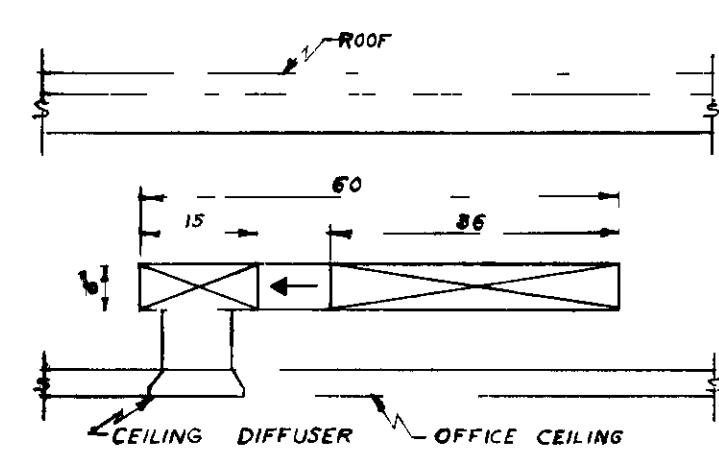
RESTRICTED SECURITY INFORMATION

(UNCLASSIFIED)

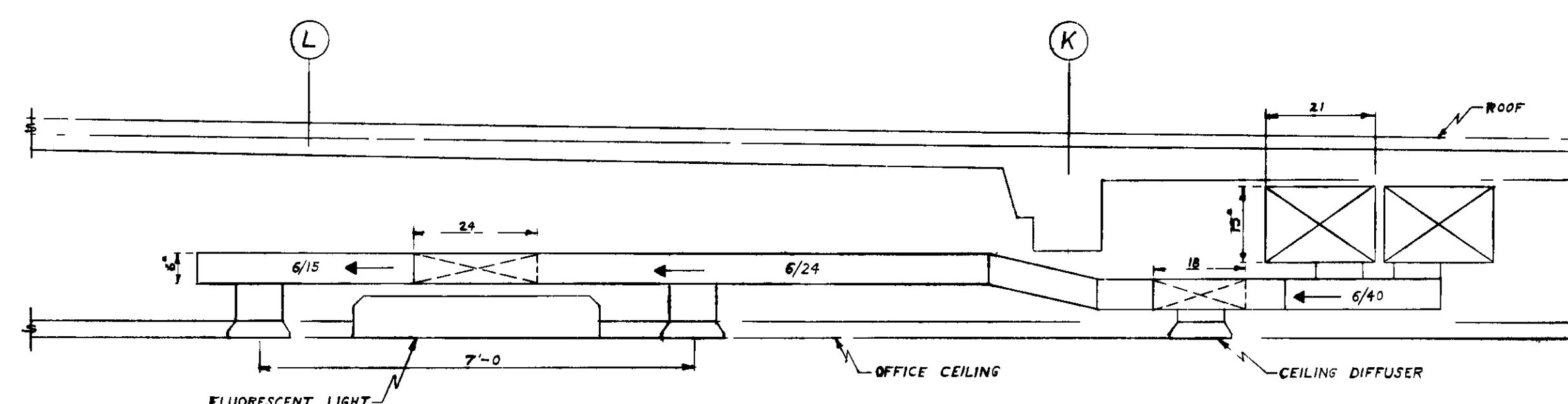
Unclassified



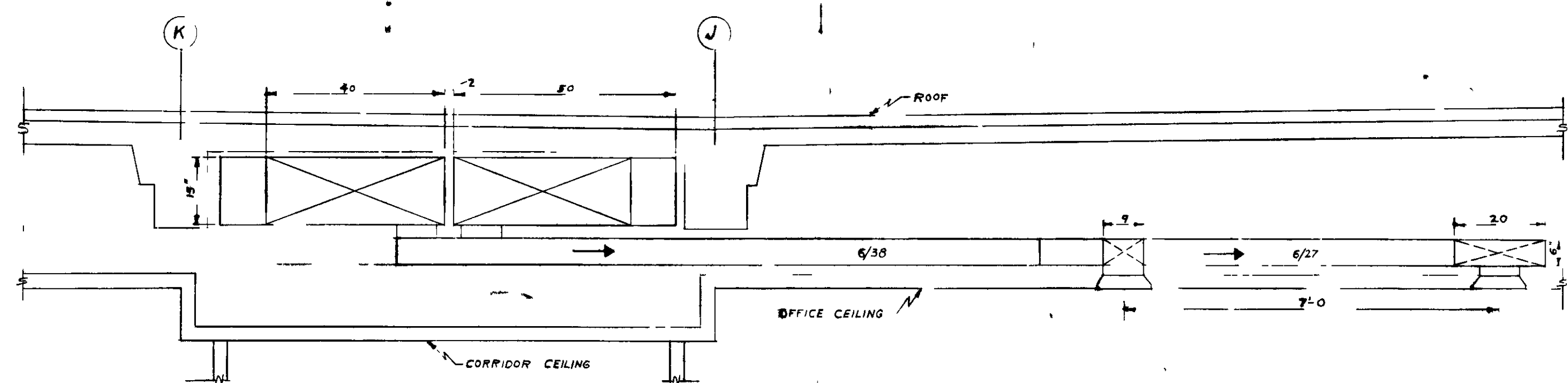
SECTION A-A SCALE 1/2"=1'-0"



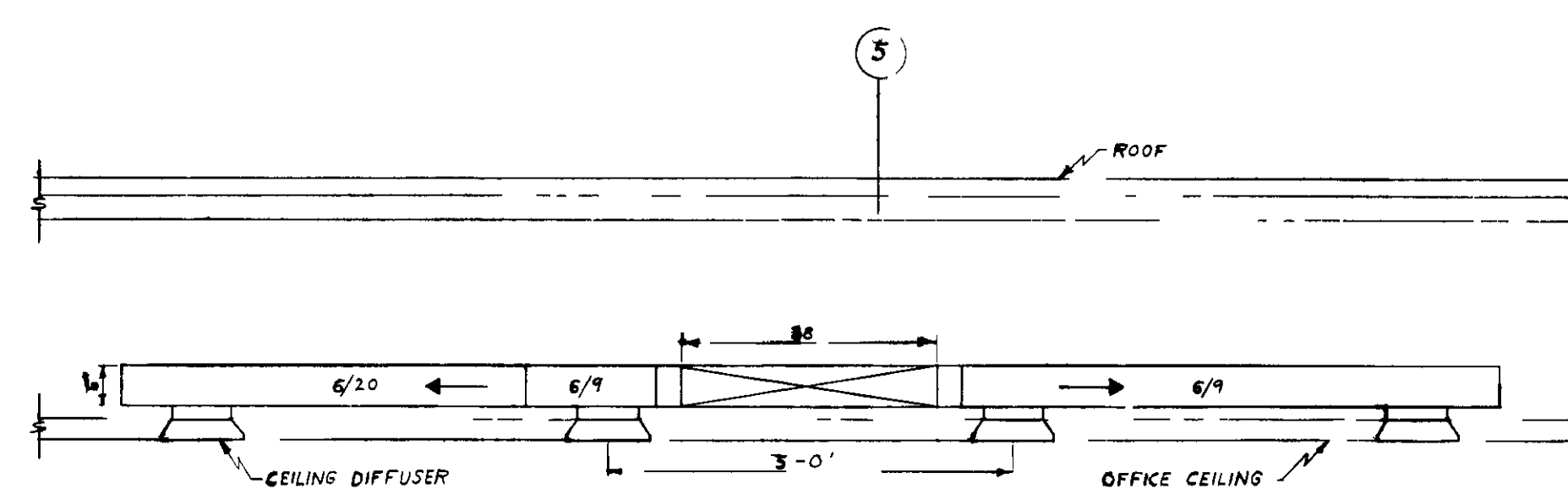
SECTION A1-A1 SCALE 1/2"=1'-0"



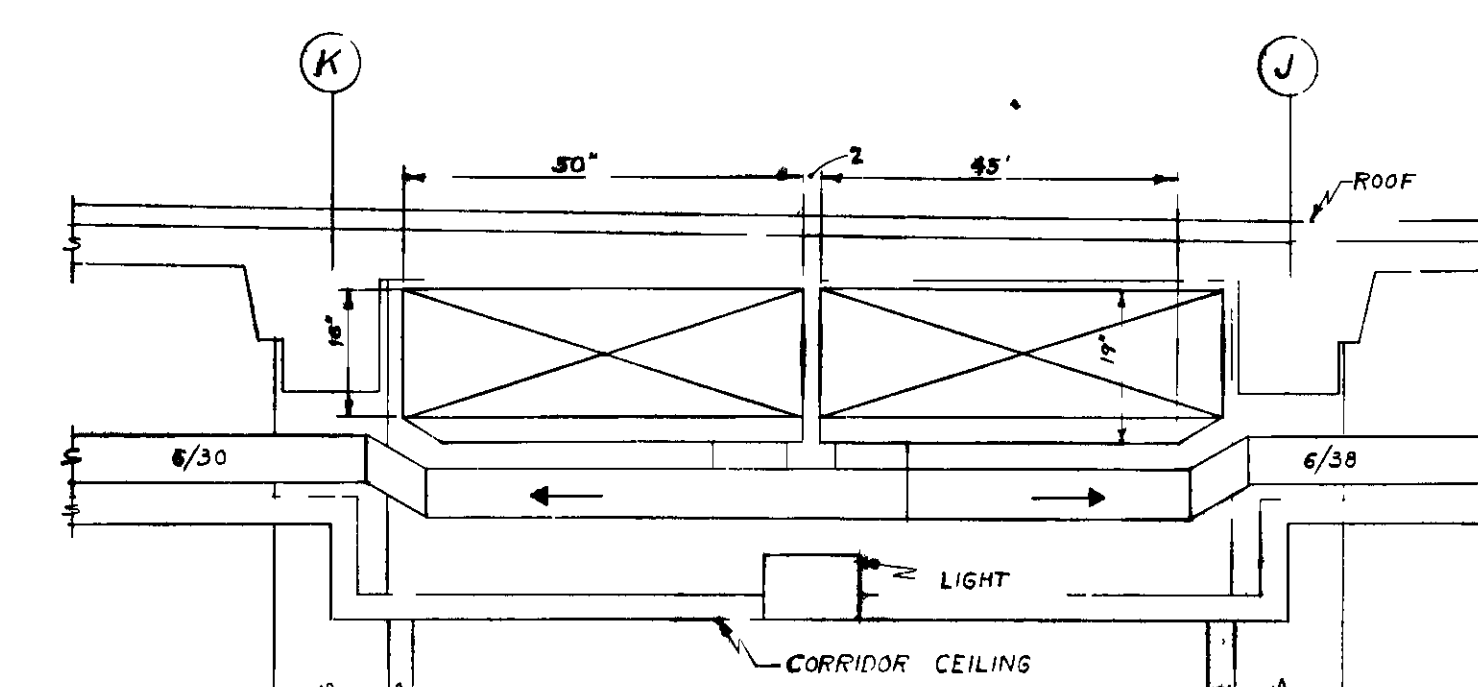
SECTION D-D SCALE 1/2"=1'-0"



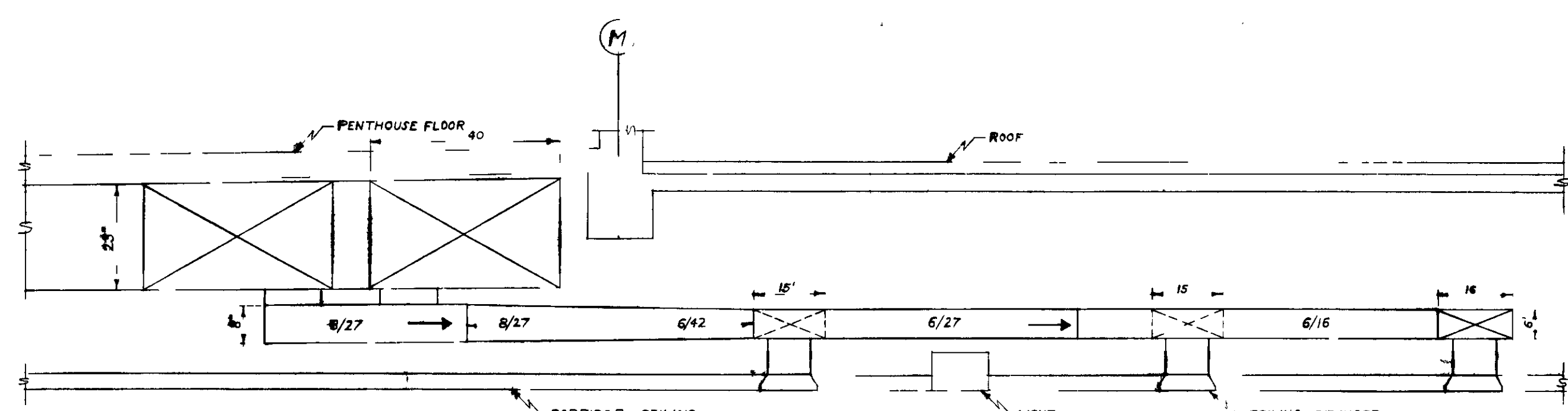
SECTION B-B SCALE 1/2"=1'-0"



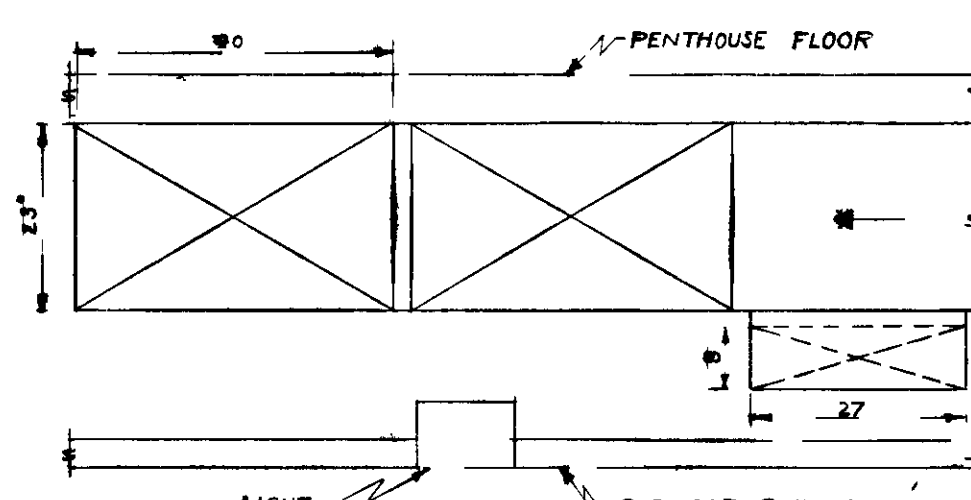
SECTION B1-B1 SCALE 1/2"=1'-0"



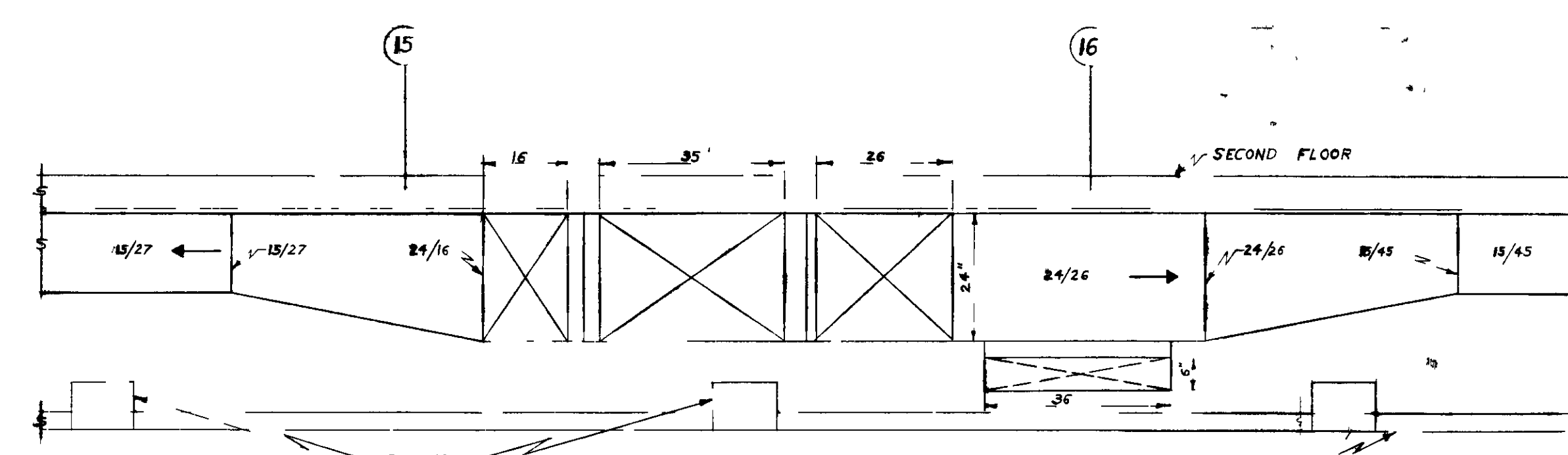
SECTION C-C SCALE 1/2"=1'-0"



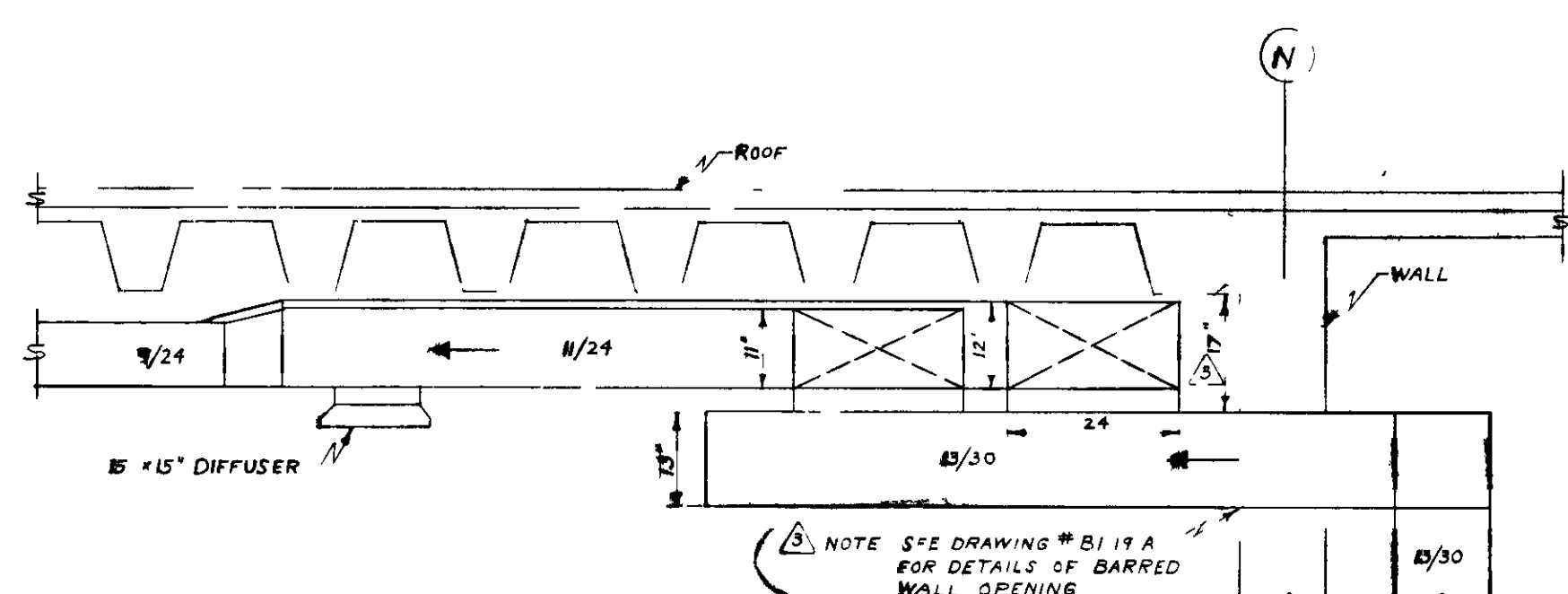
SECTION E-E SCALE 1/2"=1'-0"



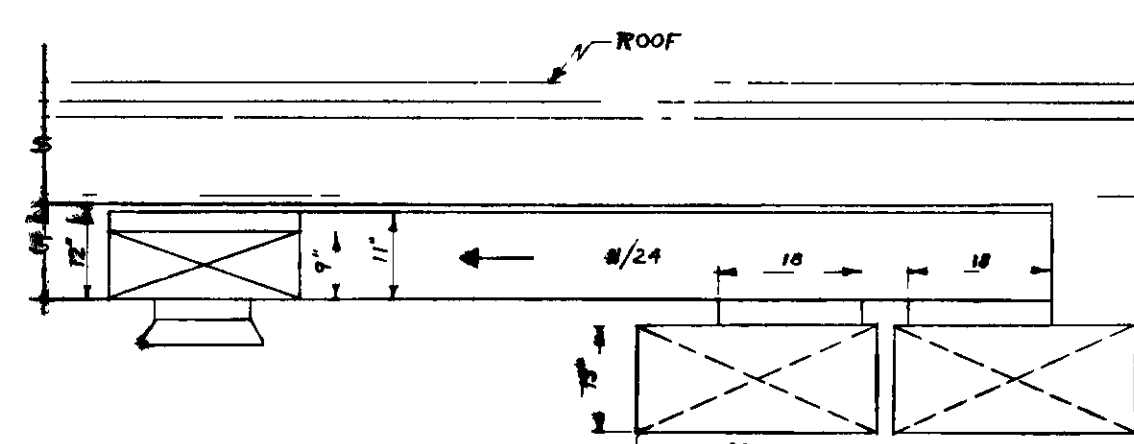
SECTION E1-E1 SCALE 1/2"=1'-0"



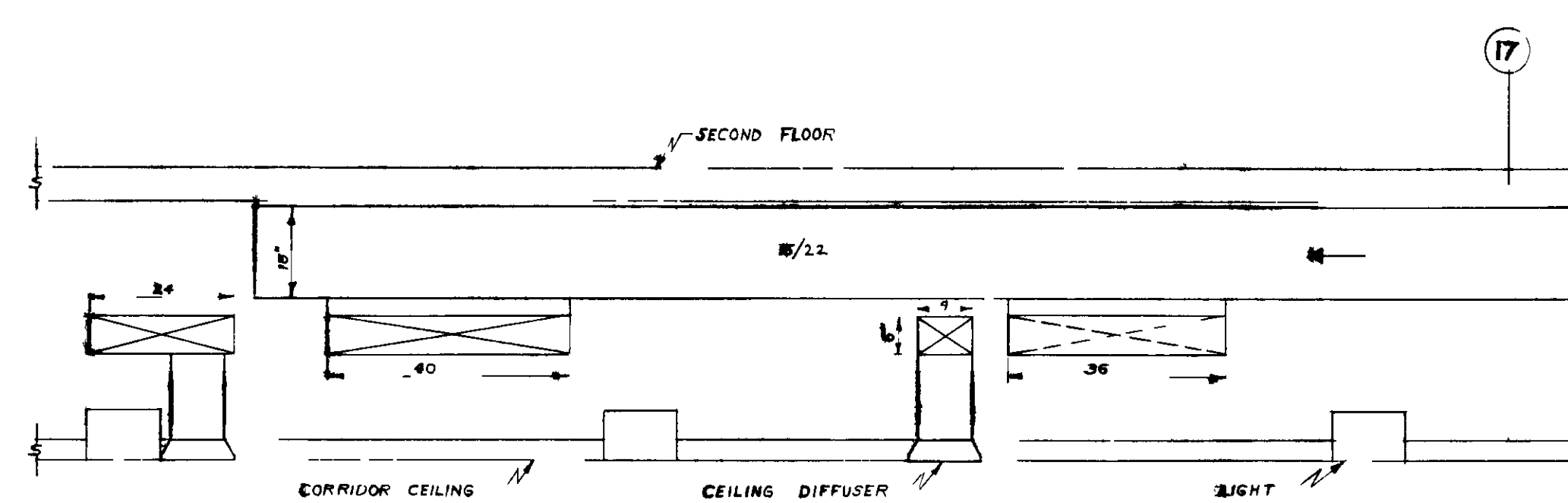
SECTION G-G SCALE 1/2"=1'-0"



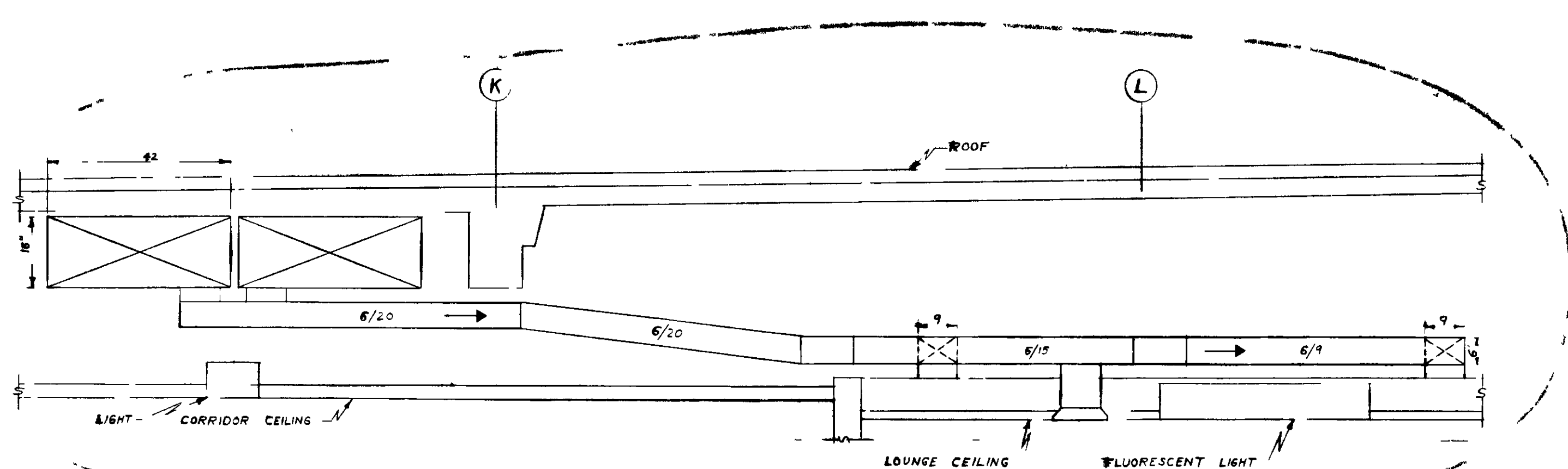
SECTION F-F SCALE 1/2"=1'-0"



SECTION F1-F1 SCALE 1/2"=1'-0"



SECTION H-H SCALE 1/2"=1'-0"



SECTION P-P SCALE 1/2"=1'-0"

BT Images, Inc 0000610

Unclassified

REVIEWED FOR CLASSIFICATION HDE 05/22/2014 Initials Date UNCLASSIFIED

Table with 2 columns: 1ST REVIEWER, DETERMINATION. Contains classification review details.

UNCLASSIFIED stamp with handwritten initials and date.

RESTRICTED SECURITY INFORMATION stamp with handwritten initials and date.

Large table containing drawing metadata: revision history, drawing title (AIR CONDITIONING LAYOUT MISCELLANEOUS SECTIONS), drawing number (8768), and project information (ADMINISTRATION C-100).

UNCLASSIFIED

RESTRICTED SECURITY INFORMATION