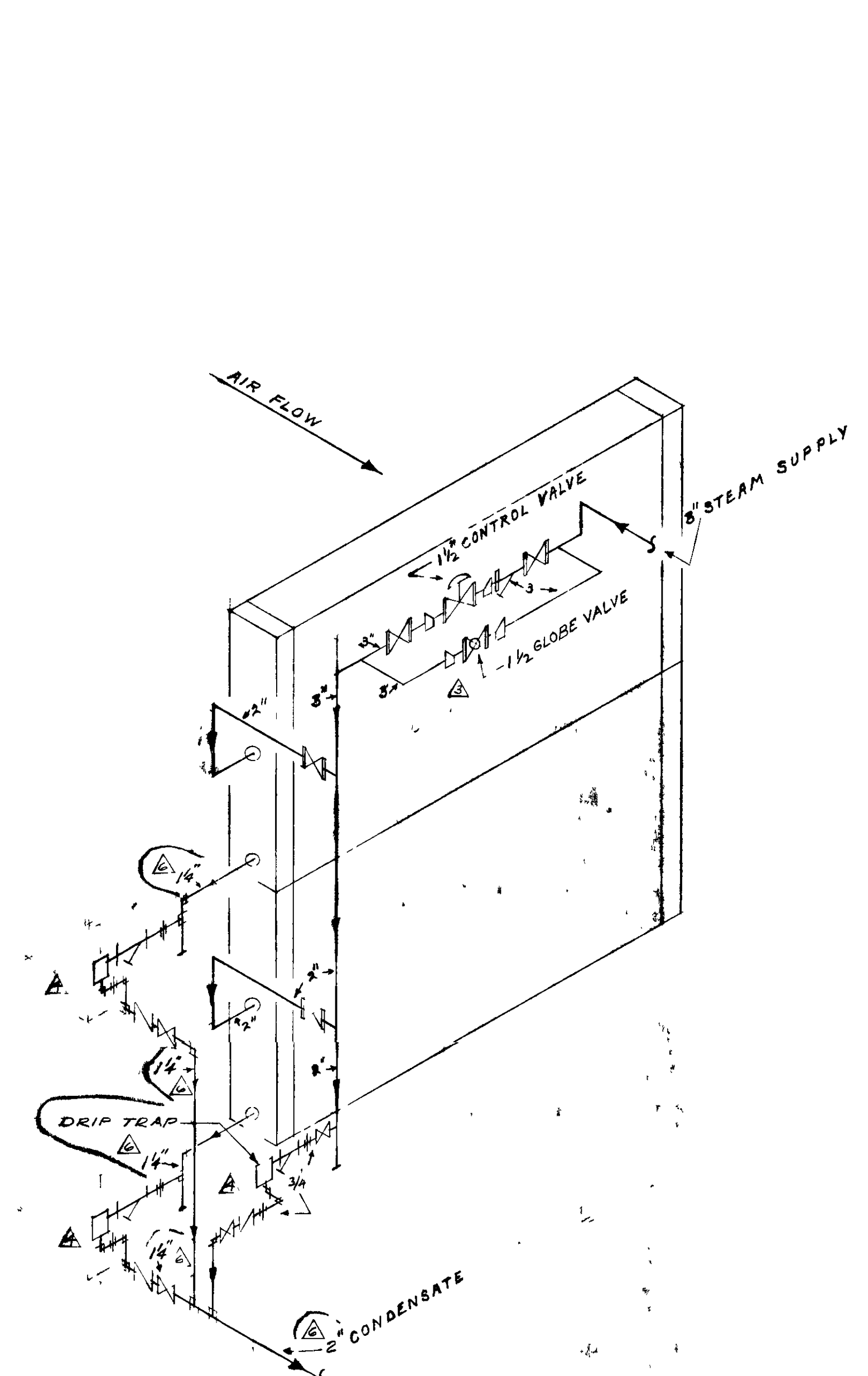
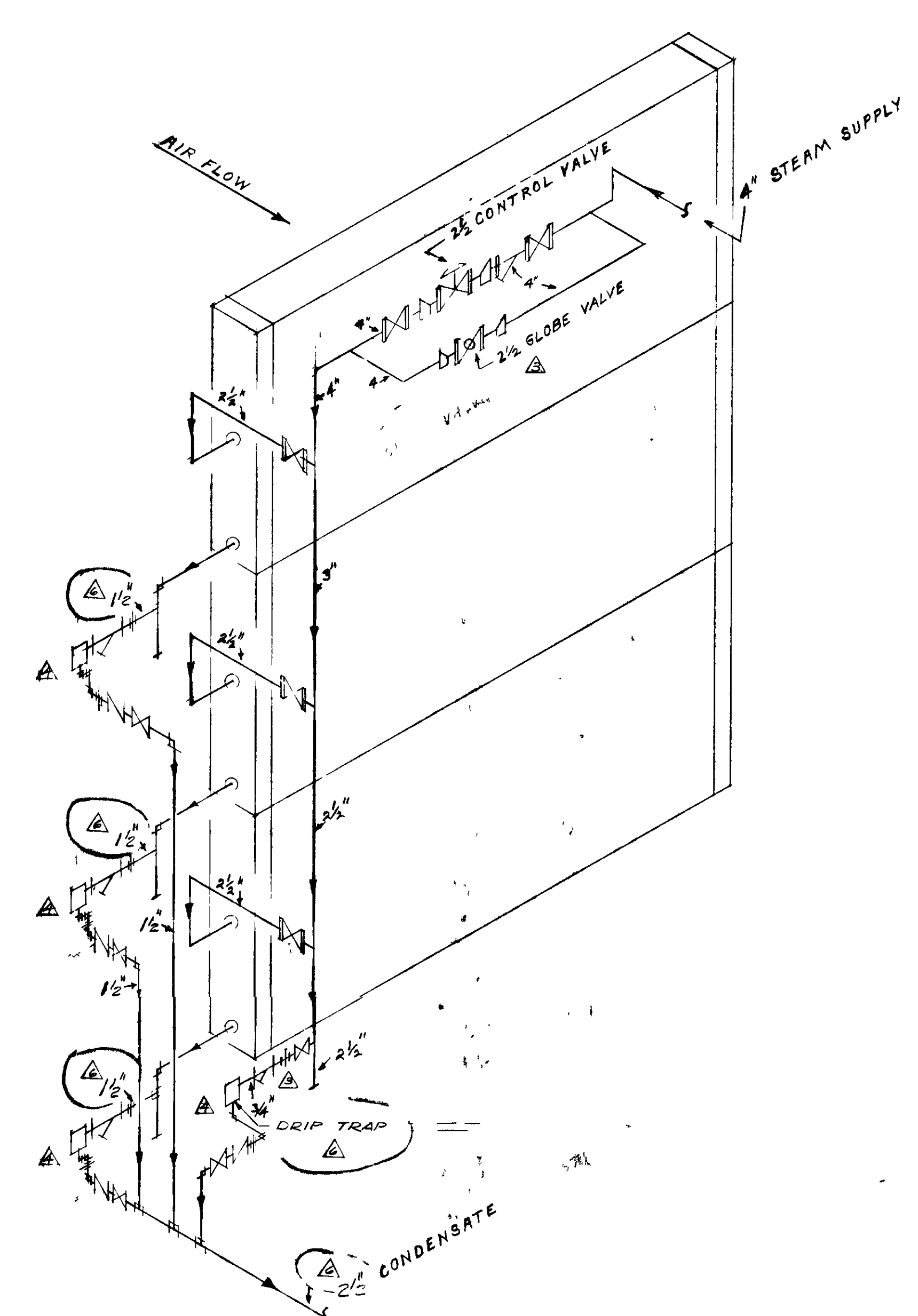


SECTION

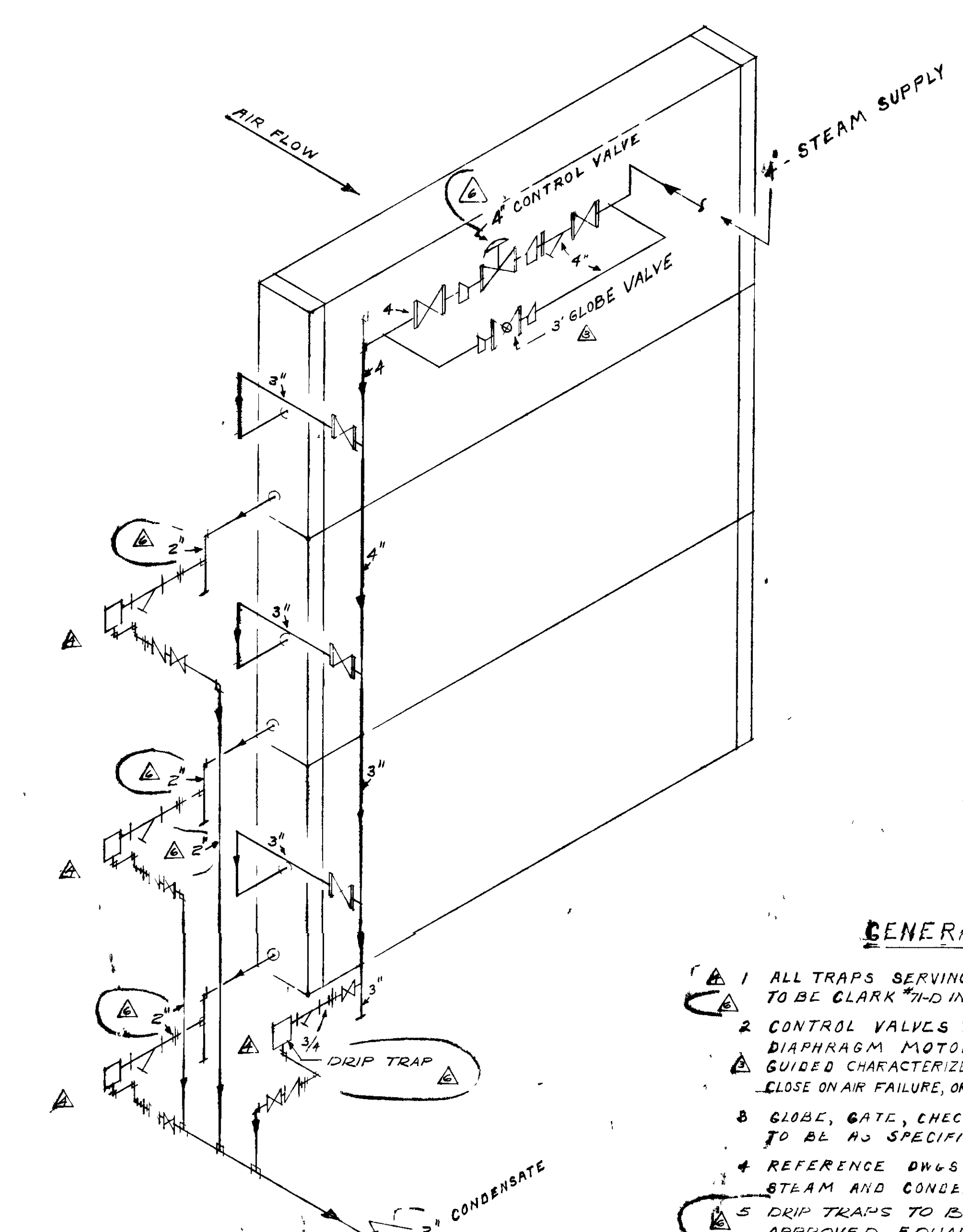
Unclassified



NORTHWEST EQUIPMENT ROOM COILS - 450*/HR
NORTHEAST EQUIPMENT ROOM COILS - 420*/HR
 REFERENCE DRAWINGS #B1-5-M
 #B1-7-M
 #B1-28-M
 #B1-41-M

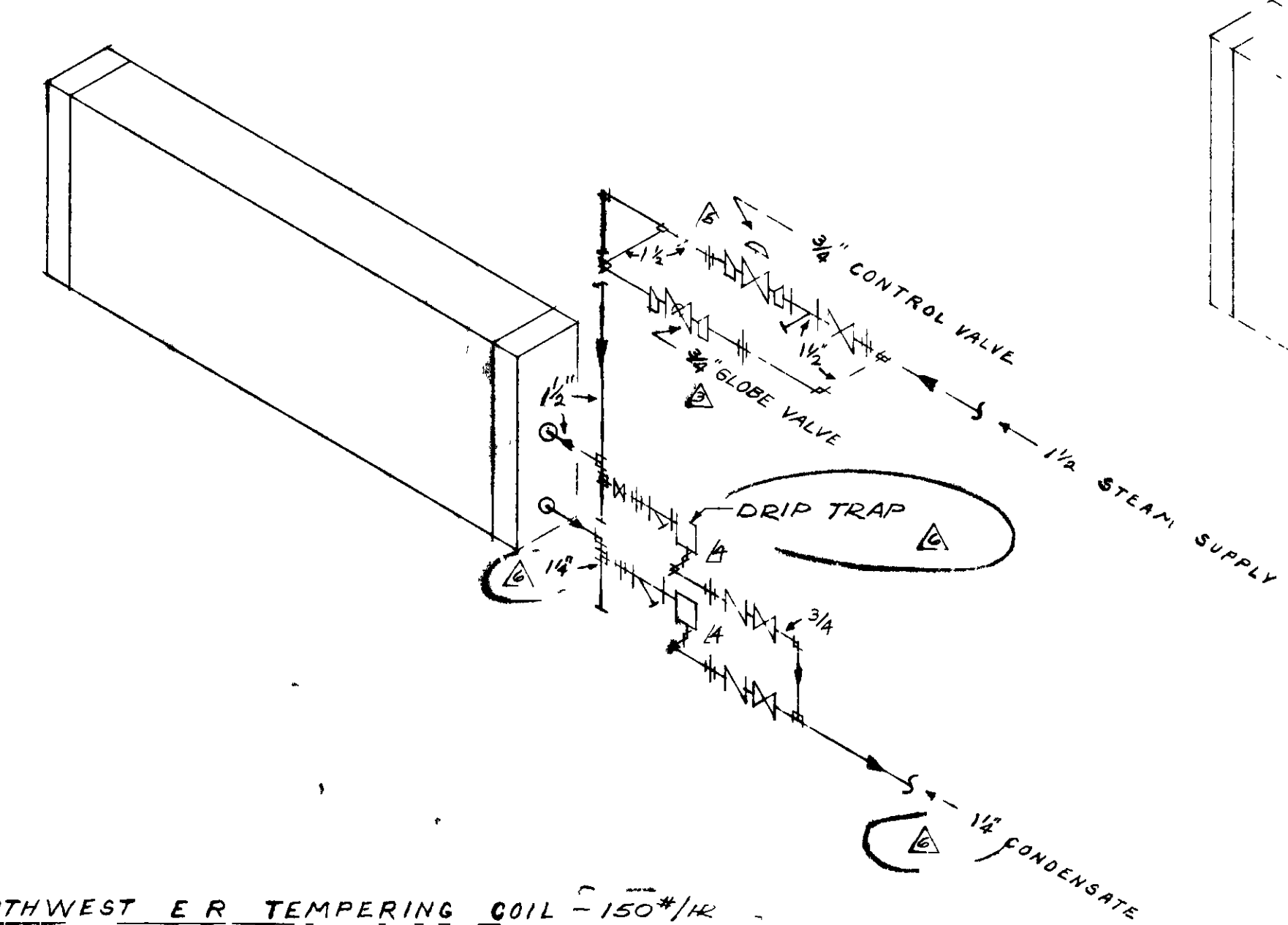


SOUTHWEST EQUIPMENT ROOM COILS - 940*/HR
SOUTHEAST EQUIPMENT ROOM COILS - 840*/HR
 REFERENCE DRAWINGS #B1-4-M
 #B1-6-M
 #B1-27-M
 #B1-40-M

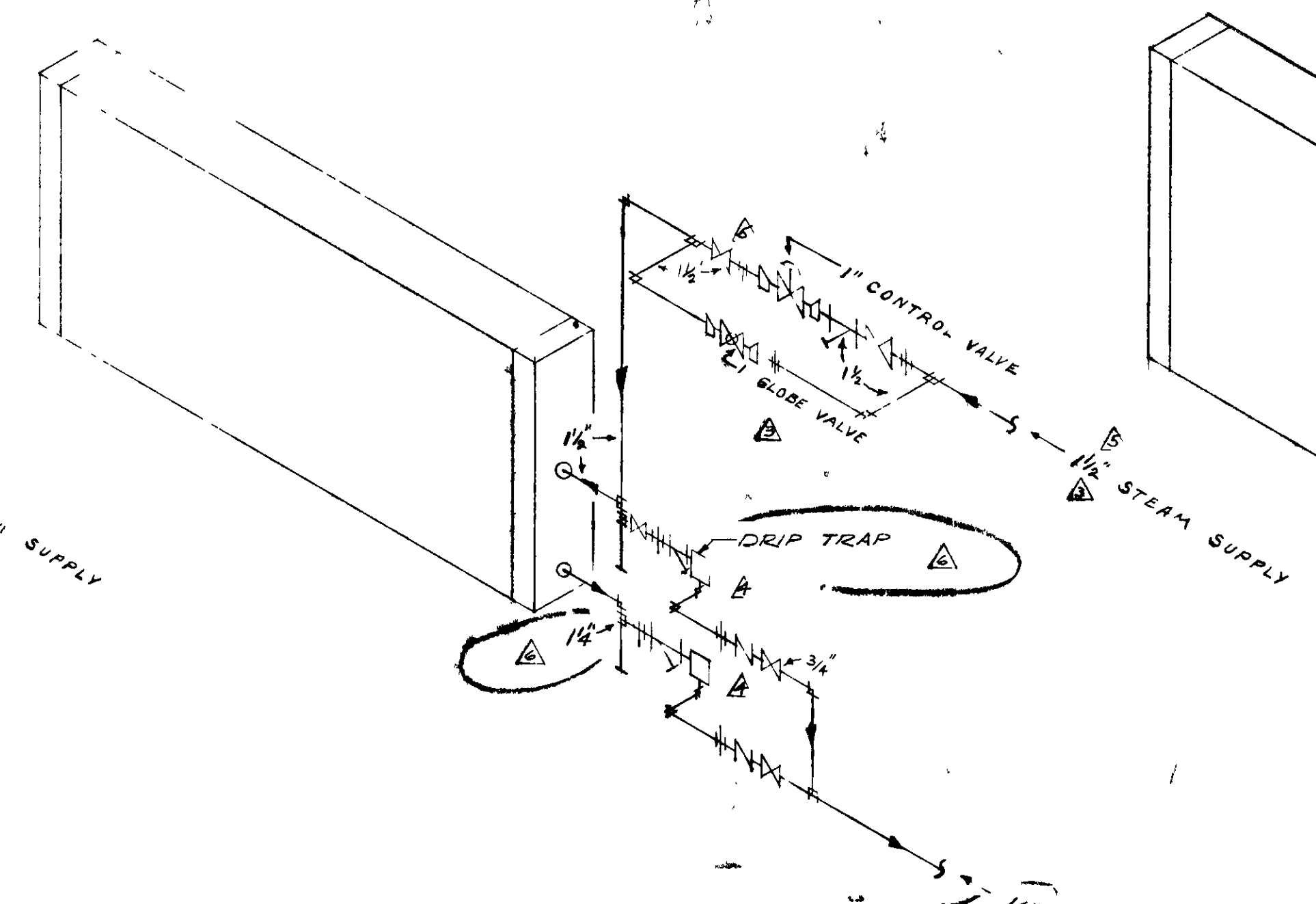


CENTRAL EQUIPMENT ROOM COILS - 1550*/HR
 REFERENCE DRAWING #B1-B-M
 #B1-42-M

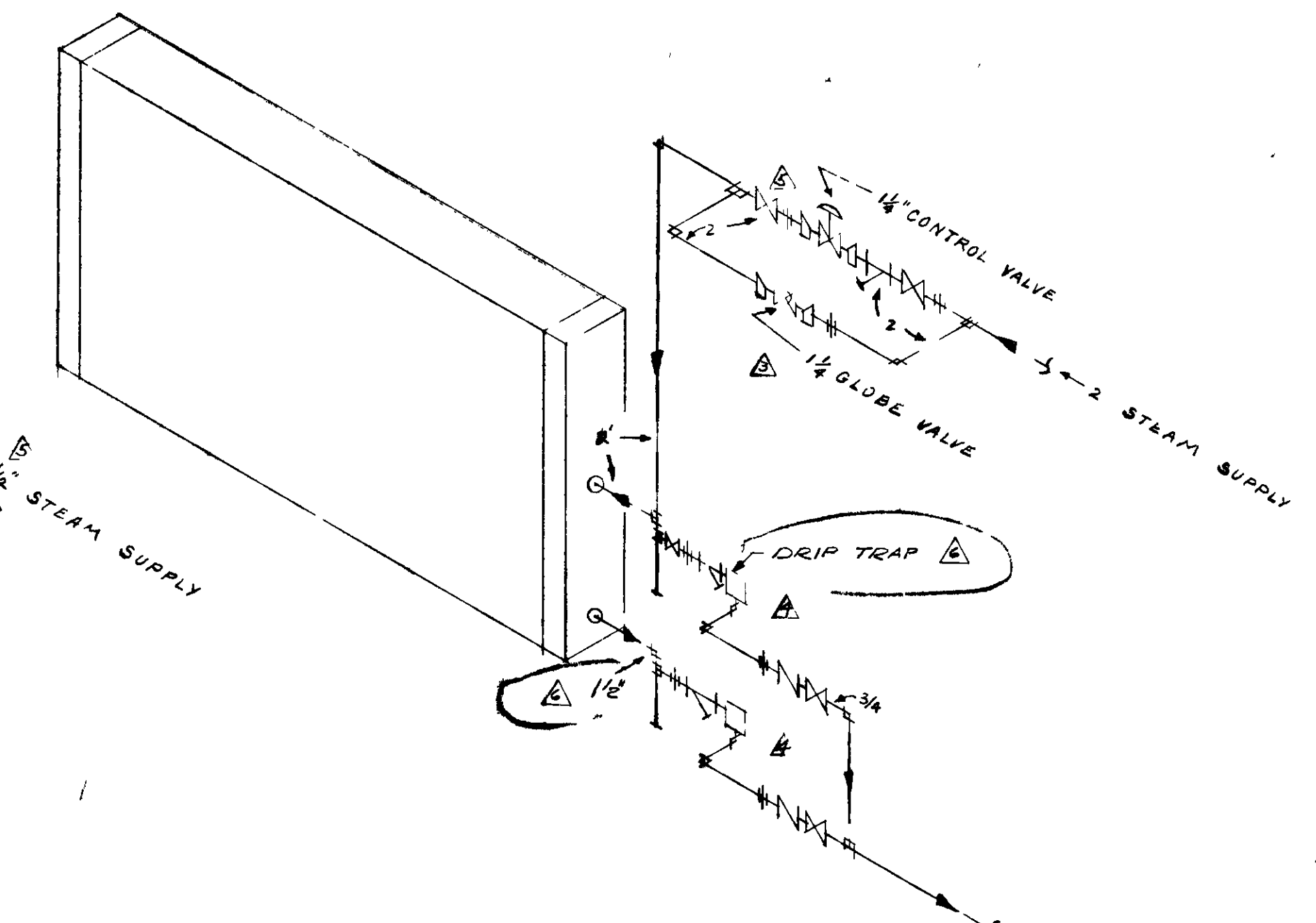
- GENERAL NOTES**
- 1 ALL TRAPS SERVING 5" STEAM BLAST COILS TO BE CLARK "M-D" INVERTED BUCKET TYPE
 - 2 CONTROL VALVES TO BE FISHER TYPE 55ET DIAPHRAGM MOTOR WITH TOP AND BOTTOM GUIDED CHARACTERIZED V PORT INNER VALVE, TO CLOSE ON AIR FAILURE, OR APPROVED EQUAL
 - 3 GLOBE, GATE, CHECK VALVES, AND STRAINERS TO BE AS SPECIFIED
 - 4 REFERENCE DWGS #B1-10-M & #B1-11-M FOR STEAM AND CONDENSATE CONNECTIONS
 - 5 DRIP TRAPS TO BE #50 CLARK OR APPROVED EQUAL



NORTHWEST E.R. TEMPERING COIL - 150*/HR
SOUTHWEST E.R. TEMPERING COIL - 160*/HR
SOUTHEAST E.R. TEMPERING COIL - 160*/HR
 REFERENCE DRAWINGS #B1-23-M, #B1-24-M, #B1-25-M, #B1-26-M, #B1-27-M, #B1-28-M, #B1-29-M, #B1-30-M, #B1-31-M, #B1-32-M, #B1-33-M, #B1-34-M, #B1-35-M, #B1-36-M, #B1-37-M, #B1-38-M, #B1-39-M, #B1-40-M, #B1-41-M, #B1-42-M, #B1-43-M, #B1-44-M, #B1-45-M, #B1-46-M, #B1-47-M, #B1-48-M, #B1-49-M, #B1-50-M



NORTHEAST E.R. TEMPERING COIL - 230*/HR
 REFERENCE DWG #B1-23-M, #B1-31-M



CENTRAL E.R. TEMPERING COIL - 310*/HR
 REFERENCE DWG #B1-24-M, #B1-42-M

BT Inc., Inc.
 (00000000)

DEPARTMENT OF ENERGY DESIGNATION REVIEW

1ST REVIEWER: [Signature]

2ND REVIEWER: [Signature]

3RD REVIEWER: [Signature]

4TH REVIEWER: [Signature]

5TH REVIEWER: [Signature]

6TH REVIEWER: [Signature]

7TH REVIEWER: [Signature]

8TH REVIEWER: [Signature]

9TH REVIEWER: [Signature]

10TH REVIEWER: [Signature]

REVIEWED FOR CLASSIFICATION
 CRB 05/22/2014
 Initials Date
 UNCLASSIFIED

CLASSIFICATION CHANGED TO: **Unclassified**

By: [Signature]

Date: 02-22-98

Authority: [Signature]

7	11/16/51	AS BUILT	GD	11/16/51
6	10/26/51	REVISION REQUEST NO 958	OR	
5	10/15/51	REVISION REQUEST NO 184	WW	
4	10/16/51	REVISION REQUEST NO 106	WW	
3	11/17/51	REVISION REQUEST NO 51 - CORRECTED STEAM CONTROL VALVES, STEAM SUPPLY, GLOBE VALVES AND GENERAL NOTE NO. 2, ADDED ECCENTRIC REDUCERS AND COND. UNION	WW	
2	11/14/51	CONSTRUCTION	B	
1	11/21/51	APPROVAL	A-C	

UNITED STATES
 ATOMIC ENERGY COMMISSION

SMITH, HINCHMAN & GRYLLS, INC
 ARCHITECTS & ENGINEERS
 DETROIT 26 MICHIGAN

DRAWING TITLE
**AIR CONDITIONING LAYOUT
 STEAM CONNECTIONS ISOMETRICS**

DATE	DRAWING APPROVED DATE	DRAWING APPROVED DATE
10-31-51	11-7-51	
DATE	CHECKED	DATE
11/11/51	R A WALKER	11-7-51
DATE	CHECKED	DATE
11/11/51	R A WALKER	11-7-51

PROJECT: **C-PLANT**
 BUILDING: **ADMINISTRATION**
 SHEET: **BI-17-M**

